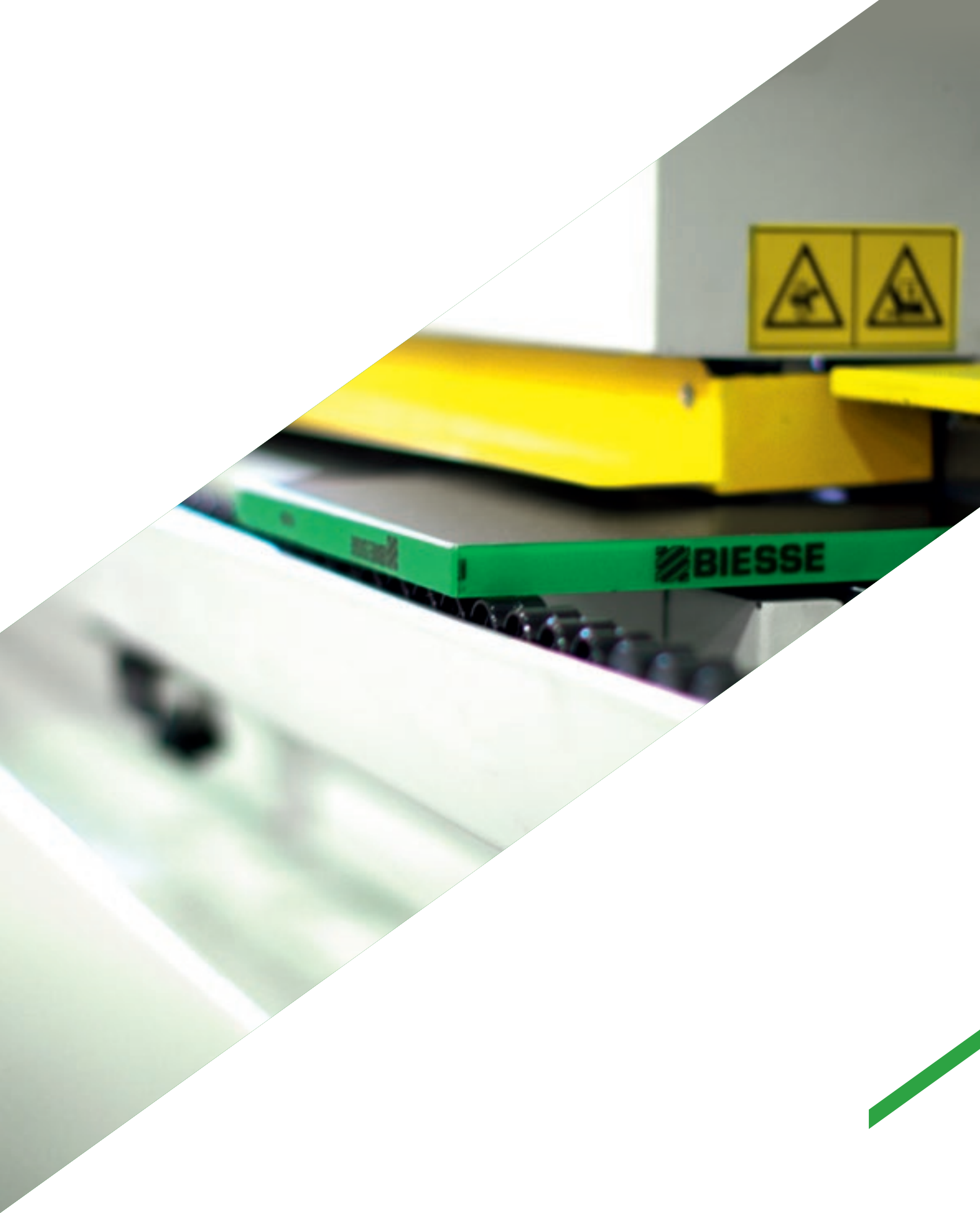


BIESSE SPARK

Automatic single-sided edgebanding machines



When competitiveness
means improving
production to the
next level

Spark

Made **In** Biesse

The market demands

a change in manufacturing processes that enables companies to accept **the largest possible number of orders**. This is coupled with the need to maintain high quality standards whilst offering product customization with quick and defined delivery times, as well as responding to the needs of highly creative designers.

Biesse responds

with **technological solutions** that highlight and support technical expertise as well as process and material knowledge. **Spark** is a range of automatic single-sided edgebanding machines purposely created for craftsmen and small shops looking for an affordable and profitable solution engineered to take their production to the next level and improve their company's bottom line.

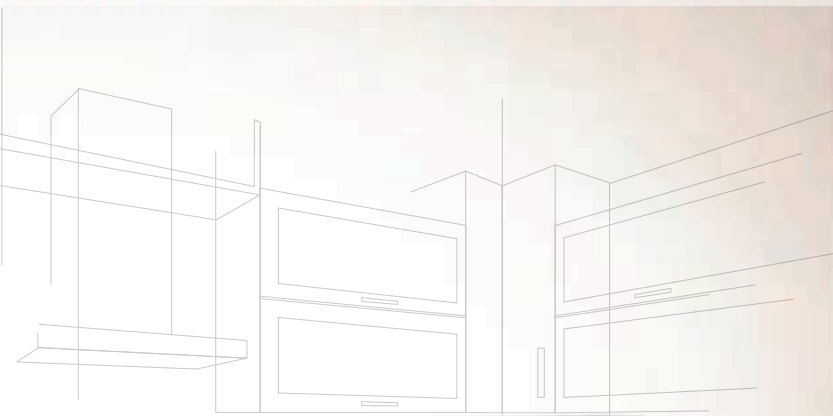
- ✓ **Great reliability in a compact space thanks to the heavy-duty structure.**
- ✓ **Built according to the specific production requirements.**
- ✓ **Top quality edgebanding as result from experience.**
- ✓ **Extremely easy use and settings.**

Top quality
with minimal
investment



SPARK

Automatic single-sided edgebanding machines



Great reliability in a compact space

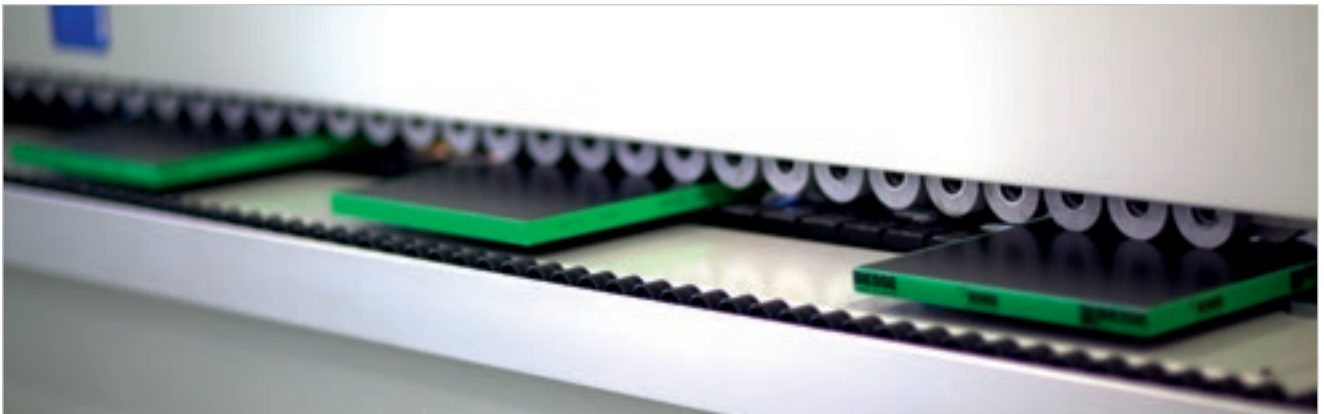
Spark series has a solid, heavy-duty structure to ensure the very highest levels of consistency and repeatability.



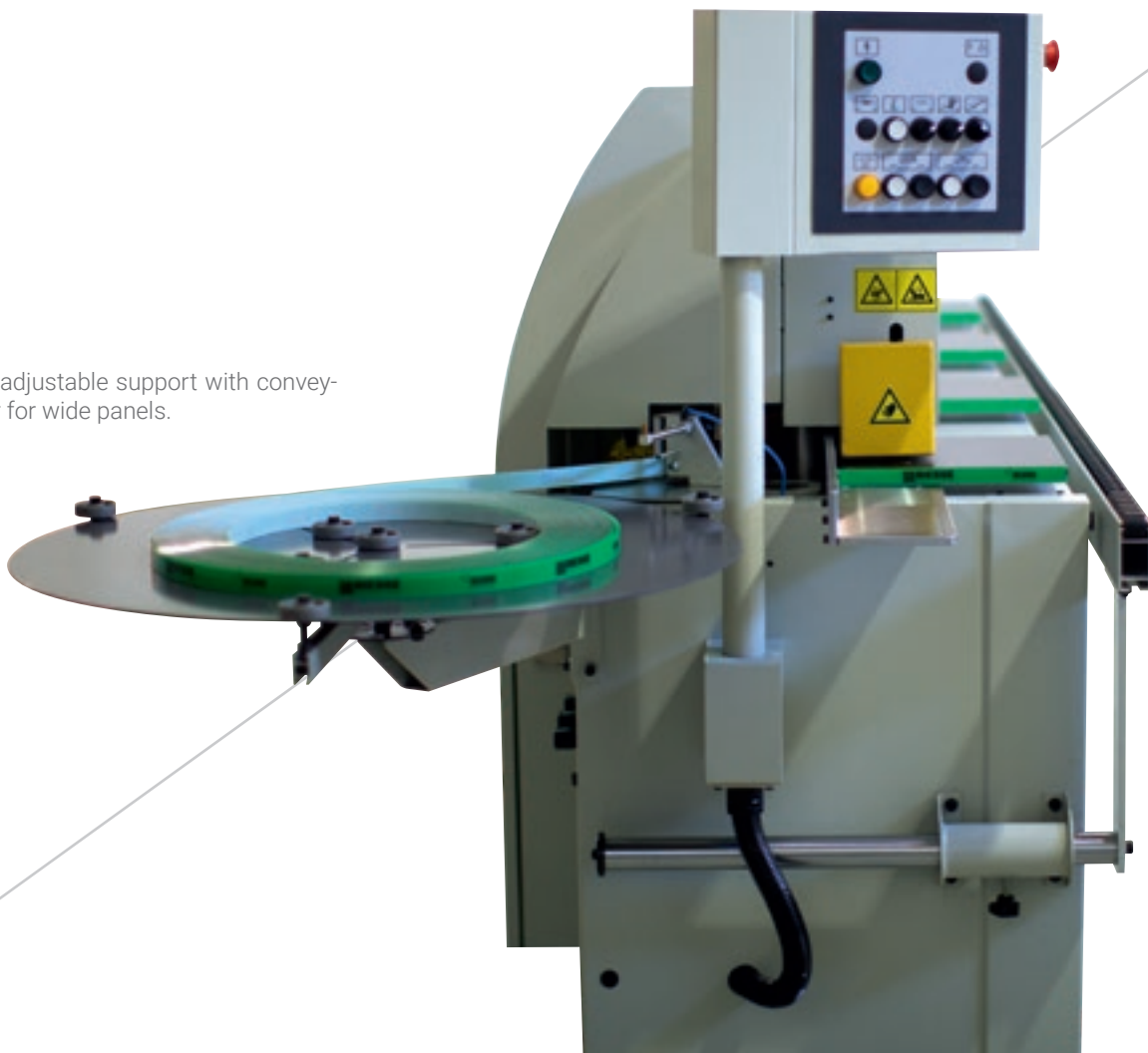
A very compact design with minimum overall dimension.



Top pressure beam with manual adjustment through numerical read-out equipped with rubber wheels. Great productivity guaranteed by reduced panels interspace.



Lateral adjustable support with conveyor roller for wide panels.

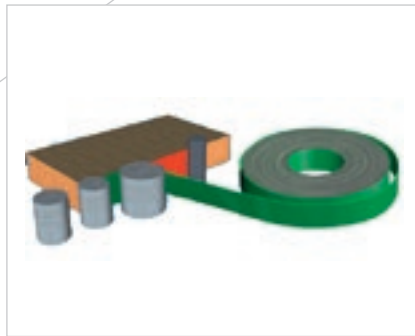


Built to meet specific machining requirements

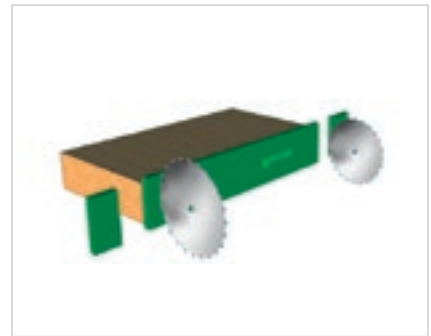
The Spark is a very solid edgebanding machine, configured to your specific processing needs.



Pre-milling unit.



Gluing unit.



End trimmer.



Fine trimmer.



Edge scraper.



Glue scraper.



Buffing unit.

The modularity of the design allows Biesse to deliver machines with configurations which are customized to meet the requirements of individual customers.



3 series available sizes:

- Spark 2.3
- Spark 4.3
- Spark 5.3
- Spark 6.3R



8 series available sizes:

- Spark 4.8
- Spark 5.8 R



Top quality edgebanding



Pre-milling unit to guarantee a perfect finish.



Gluing unit for the automatic application of edging in rolls or strips, **from 0.4 to 3 mm**.



2 motors End trimming unit removes excess by edging tape at the front and rear of the panel ensuring cutting accuracy.

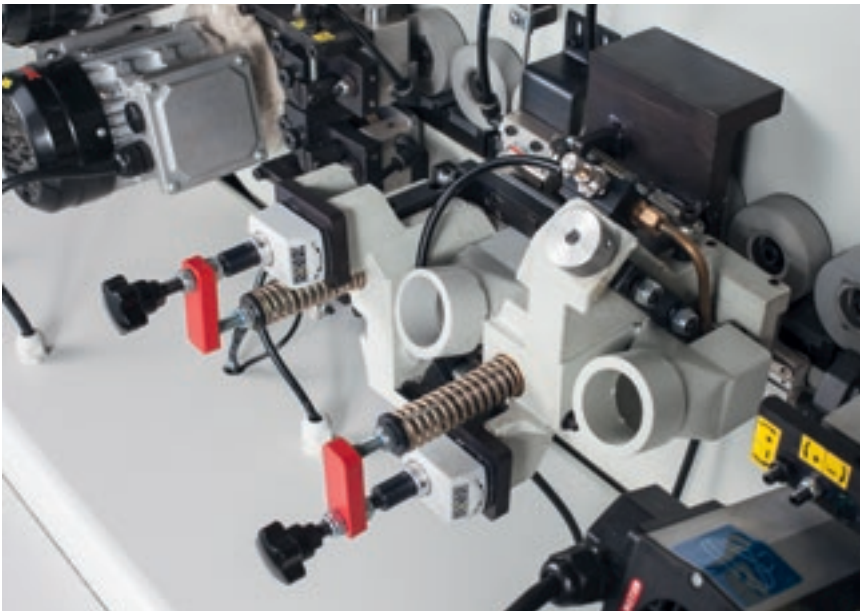




Fine trimmer unit to trim the edge overhang on the top and bottom side of the panel.



The Edge scraper eliminates imperfections resulting from previous machining operations on the top and bottom of the edge.



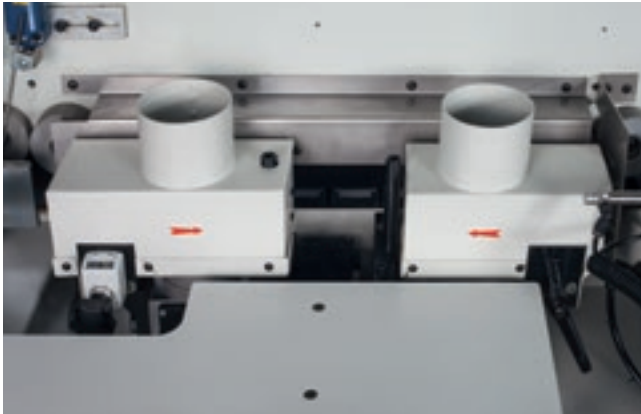
The Glue scraper removes excess glue from the top and underside of the panel.



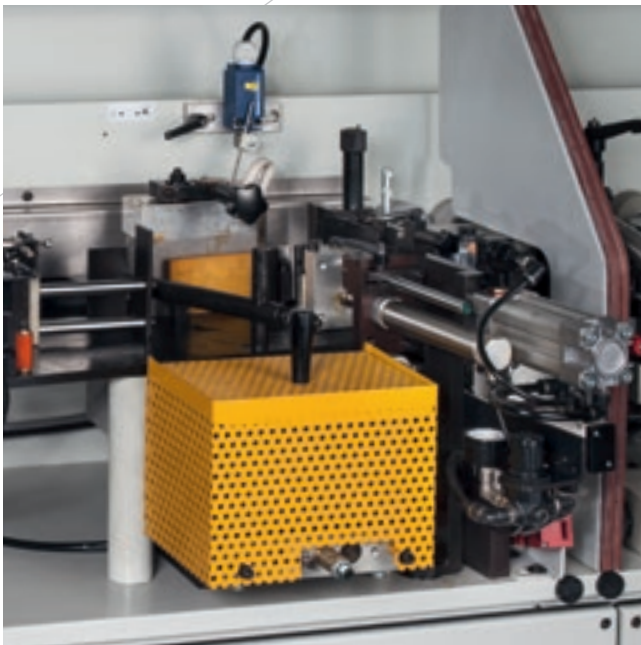
Buffing unit for cleaning and polishing the edge and panel.



Maximum working precision



Pre-milling unit to guarantee a perfect finish.



Gluing unit for the automatic application of edging in rolls or strips, **from 0.4 to 8 mm** in strips.

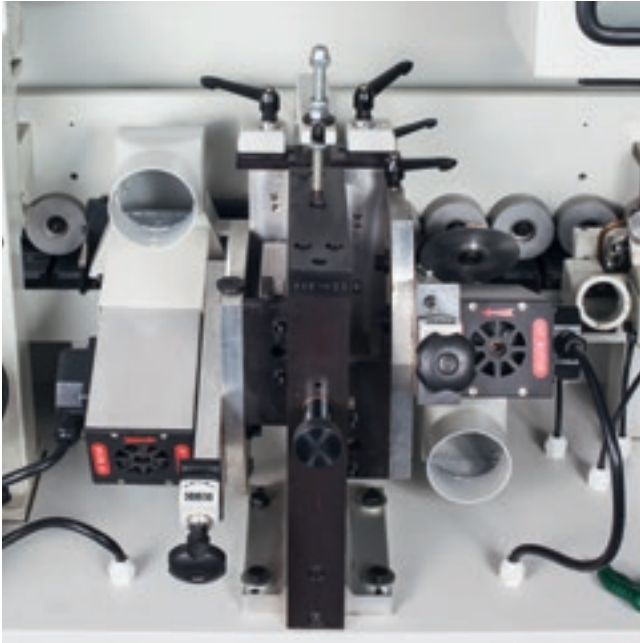


2 motors End trimming unit removes excess by edging tape at the front and rear of the panel ensuring cutting accuracy.

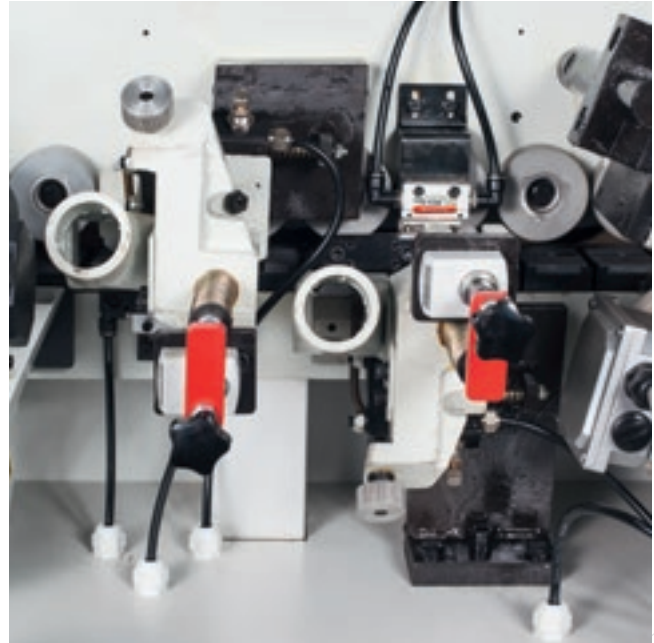




Fine trimming unit to trim the edge overhang on the top and bottom side of the panel.



The Edge scraper eliminates imperfections resulting from previous machining operations on the top and bottom of the edge.



Buffing unit for cleaning and polishing the edge and panel.



Service & Parts

Direct, seamless co-ordination of service requests between Service and Parts.
Support for Key Customers by dedicated Biesse personnel, either in-house and/or at the customer's site.

Biesse Service

- ✓ Machine and system installation and commissioning.
- ✓ Training centre dedicated to Biesse Field engineers, subsidiary and dealer personnel; client training directly at client's site.
- ✓ Overhaul, upgrade, repair and maintenance.
- ✓ Remote troubleshooting and diagnostics.
- ✓ Software upgrade.

500 / Biesse Field engineers in Italy and worldwide.

50 / Biesse engineers manning a Teleservice Centre.

550 / Certified Dealer engineers.

120 / Training courses in a variety of languages every year.

The Biesse Group promotes, nurtures and develops close and constructive relationships with customers in order to better understand their needs and improve its products and after-sales service through two dedicated areas: Biesse Service and Biesse Parts.

With its global network and highly specialised team, it offers technical service and machine/component spares anywhere in the world on-site and 24/7 on-line.



Biesse Parts

- ✓ Original Biesse spares and spare kits customised for different machine models.
- ✓ Spare part identification support.
- ✓ Offices of DHL, UPS and GLS logistics partners located within the Biesse spare part warehouse, with multiple daily pick-ups.
- ✓ Order fulfilment time optimised thanks to a global distribution network with de-localised, automated warehouses.

87% / of downtime machine orders fulfilled within 24 hours.

95% / of orders delivered in full on time.

100 / spare part staff in Italy and worldwide.

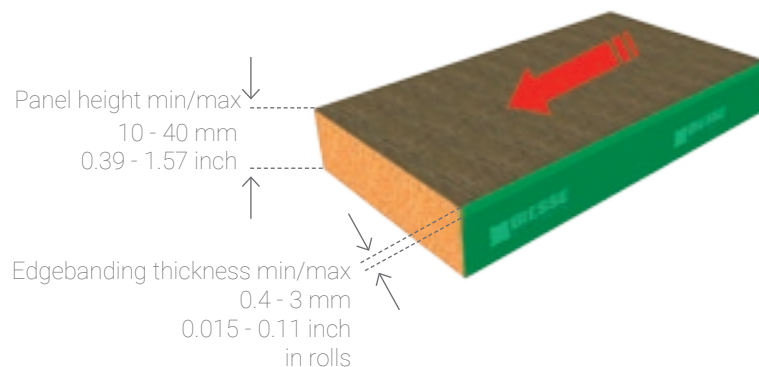
500 / orders processed every day.

Technical specifications



Overall dimensions mm/inch	A	B (max)	C
Spark 2.3	3130/123.2	1660/65.3	1450/57
Spark 4.3	3930/154.7	1660/65.3	1450/57
Spark 5.3	3930/154.7	1660/65.3	1450/57
Spark 6.3R	4570/179.9	1660/65.3	1450/57

Speed	m/min - ft/min
Spark 2.3	9 - 29.5
Spark 4.3 - 5.3 - 6.3R	12 - 39.3



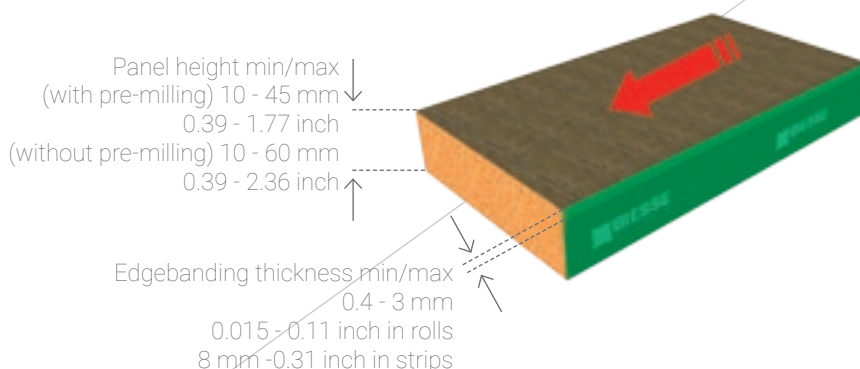
The technical specifications and drawings are non-binding. Some photos may show machines equipped with optional features. Biessse Spa reserves the right to carry out modifications without prior notice.

A-weighted sound pressure level (LpA) during machining for operator workstation on vane-pump machine LpA=86dB(A) Lwa=106dB(A) A-weighted sound-pressure level (LpA) for operator workstation and sound power level (LwA) during machining on cam-pump machine LpA=86dB(A) Lwa=106dB(A) K measurement uncertainty dB(A) 4



Overall dimensions mm/inch	A	B (max)	C
Spark 4.8	4030/158.6	1535/60.4	1460/57.4
Spark 5.8R	4600/181.1	1850/72.8	1460/57.4

m/min - ft/min	
Speed	12 ÷ 16 - 39.3 ÷ 52.4



The measurement was carried out in compliance with UNI EN 848-3:2007, UNI EN ISO 3746: 2009 (sound power) and UNI EN ISO 11202: 2009 (sound pressure levels at workstation) during panel machining. The noise levels shown are emission levels and do not necessarily correspond to safe operation levels. Despite the fact that there is a relationship between emission and exposure levels, this may not be used in a reliable manner to establish whether further measures need to be taken. The factors determining the exposure level for the workforce include length of exposure, work environment characteristics, other sources of dust and noise, etc. i.e. the number of other adjoining machines and processes. At any rate, the above information will enable the operator to better evaluate dangers and risks.



BIESSEGROUP

 **BIESSE**

 **INTERMAC**

 **DIAMUT**

MECHATRONICS

In 

1 industrial group, 4 divisions and 8 production sites

How 

€ 14 million p/a in R&D and 200 patents registered

Where 

34 branches and 300 agents/selected resellers

With 

customers in 120 countries: manufacturers of furniture, design items, and door/window frames, producers of components for the building, nautical and aerospace industries

We 

3200 employees throughout the world

