

SUNNY

...TIMES HAVE CHANGED!

HEAD OFFICE

GIBEN TECH s.r.l

40065 PIANORO - BOLOGNA - ITALIA

Ph. +39-0516516400 Fax +39-0516516425

E-mail: info@giben.it

www.giben.it

IN THE WORLD

Giben Australia

Giben Guangzhou Machinery

Giben de España

Tens of dealers all over
the world

www.giben.it

Sunny by Giben introduces the synthesis of 65 years experience in panel sizing. The world has changed and Sunny witnesses it. Giben Sunny is not only a panel saw, it is a range of models suitable for any and all needs of the handicraft or medium-large size concerns as auxiliary cutting machine.



Times have changed, luckily not only for the worse. If you go through the features of SUNNY for example, you will understand it is no longer needed travelling to China in order to look for a panel saw, considering all the disadvantages in terms of service and technical back-up given by those machines. Here at Giben, we performed better: **with a product offered at a fair price, conceived with modern materials and the best manufacturing technologies, we have designed a panel saw all made in Italy.**

START FROM SUNNY

YOU WILL FIND A NEW WAY FOR CUTTING

Giben changes the rules and SUNNY delivers a truly matchless beam-panel saw compared to other brands available in the world, due to its fully innovating conception.

Design and purposely-dedicated materials are leading into a new word which will allow you to rethink your business.

SUNNY is a panel sizing machine meeting all the requirements of a good quality cut, from chipboard to acrylic materials, or compound aluminium boards and polymers or gypsum board, etc.

A multi-purpose panel saw within everyone's reach.

*Pusher with brushless motor
speed **80 m/min.***



*Saw-carriage with brushless
motor speed **100 m/min.***

SUNNY by Giben offers a range of two models of panel sizing machines 100% made in Italy.

SUNNY makes all the other horizontal beam saws of this level outdated and, moreover, it has been conceived to take just a little room, more units can be shipped into a container or truck, and it can be commissioned in one day without the assistance of any manufacturer's technician.

SUNNY suits everybody requiring a fast, heavy-duty and reliable panel saw easy to operate.

An intuitive touch-screen makes easy its operation and **we will always support SUNNY by Giben e-Service even if we are 10.000 km far-away from it.**

SUNNY ST - SUNNY SP

TWO MODELS MEETING DIFFERENT REQUIREMENTS

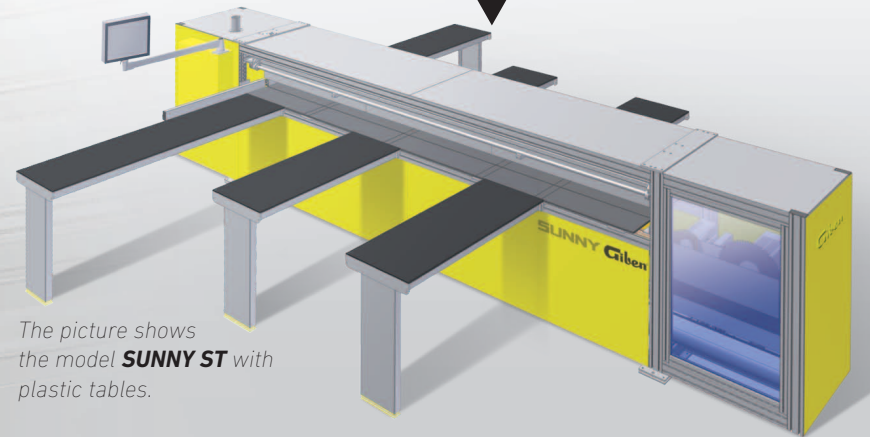
We are introducing not only one, but two models covering the full range of the international demand "Italian Patent Pending".
One of them surely fits yourselves.

If you are thinking about a vertical panel saw or a "sliding table saw" as you believe they are cheaper or offer a reduced overall size, you will see it is not the case. Go through the layout of the SUNNY ST, it will amaze you. In addition to a reduced size, you will also get the advantage to process the boards comfortably in a horizontal position, superimposed and not only one at a time! One worker or maximum two could produce more with less effort.

Choose **SUNNY ST** now and if you need more automation (such as pusher, grippers, aligner, etc.) in the next two years, **you will easily get the "upgrade" of your machine at a low cost.**

Or start immediately with **SUNNY SP** and discover the performance and the comfort of the pusher/grippers/aligner you were looking for.

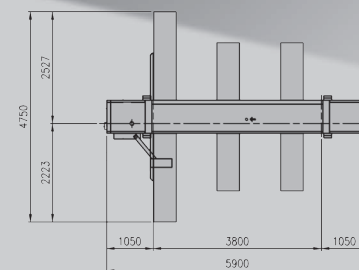
You will not need a vertical or a "sliding table" saw anymore!



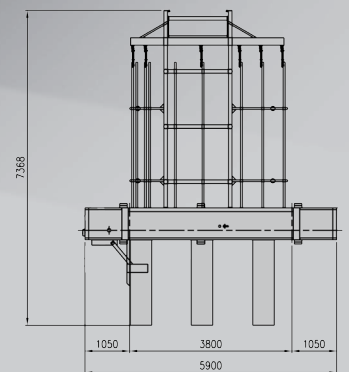
The picture shows the model **SUNNY ST** with plastic tables.



The picture shows the model **SUNNY SP** with air floatation tables.



SUNNY ST



SUNNY SP