

# Edge banding and combination machines K 520 Optimat – Compact series production



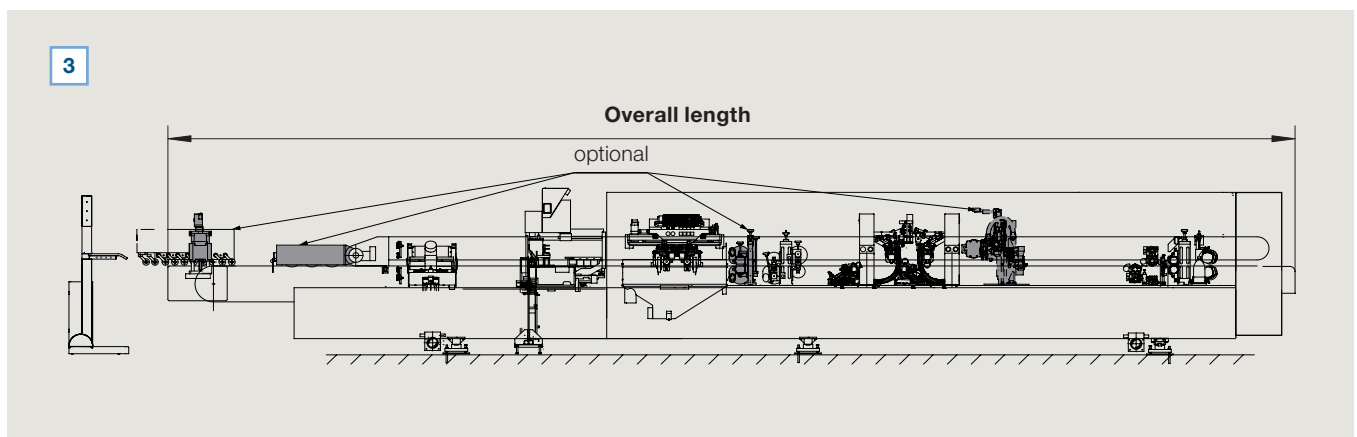
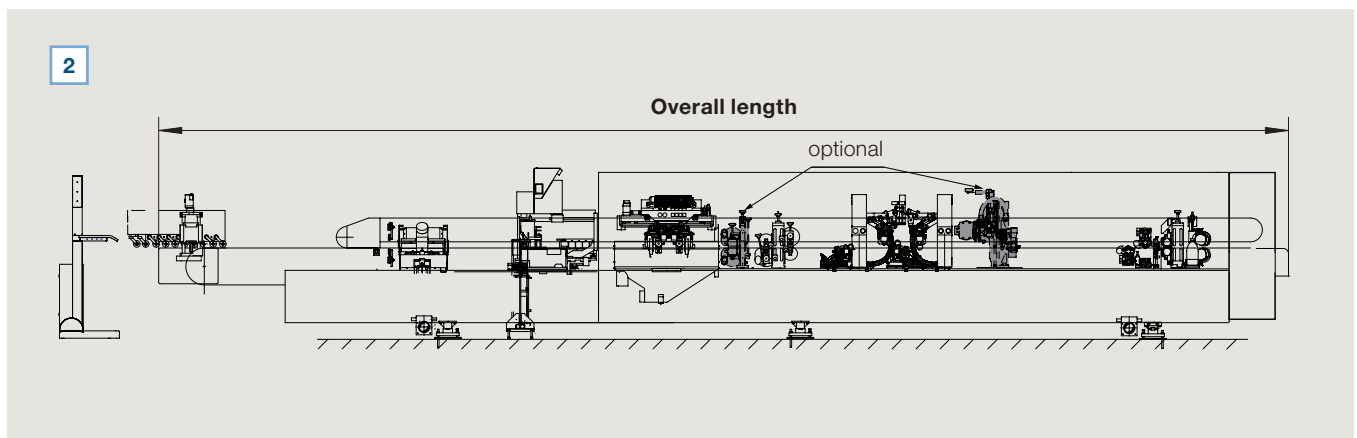
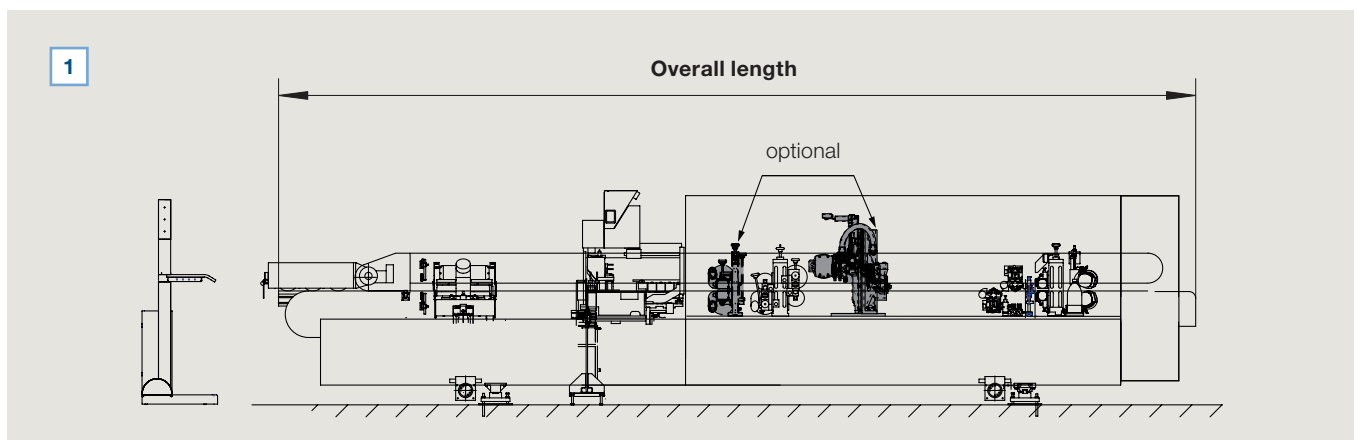
# K 520 Optimat – all inclusive as standard

The classical application for double-sided machines and machine lines: medium to large-scale series production. The machines of the series K 520 Optimat are compact and sturdy and allow automatic resetting either for one profile and chamfer (with the Future package) or for two profiles and chamfer (with the Performance package). Choose between a KAL 520 Optimat, which processes pre-sized workpieces in

unfinished fixed dimensions or the KFL 520 Optimat, which is capable of component sizing, edging and finish processing. The fix basic equipment can be expanded. Additional units can be mounted on the free spaces.

We are **YOUR SOLUTION**

## KAL 520 Optimat with Jointing trimming



1 KAL 525/M1/C Optimat as the first machine in a line

4 KFL 525/M1/C Optimat as the first machine in a line

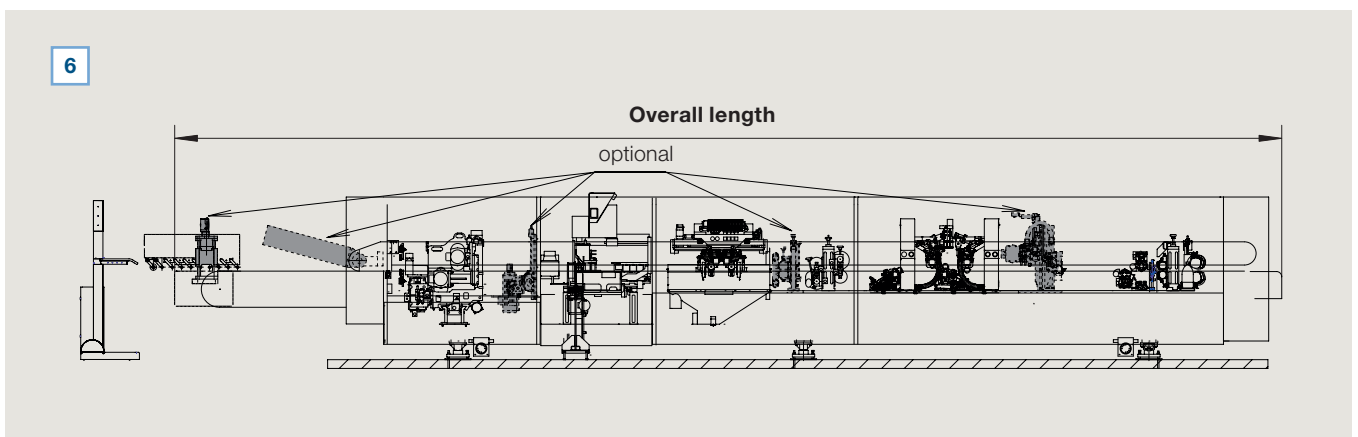
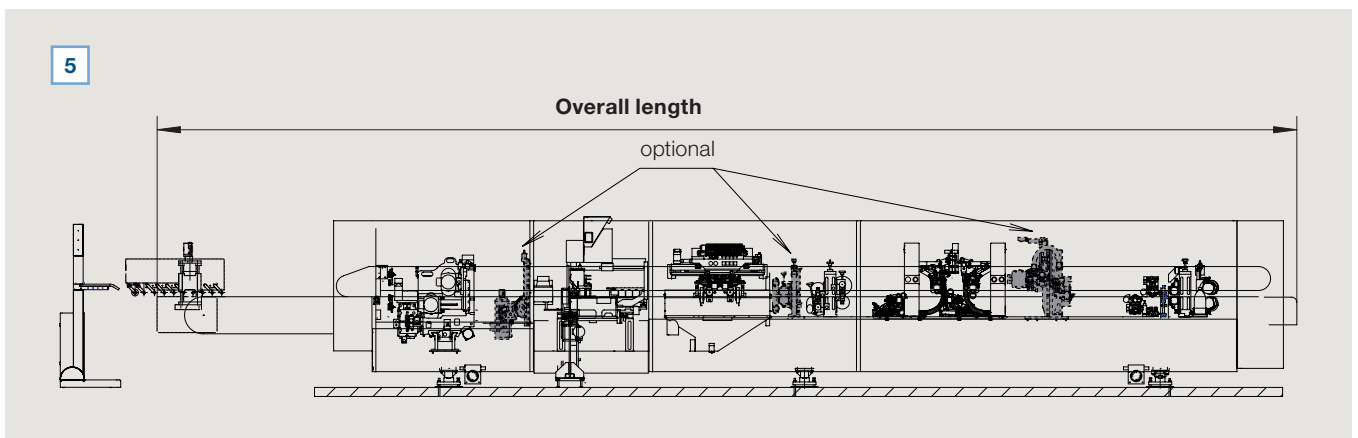
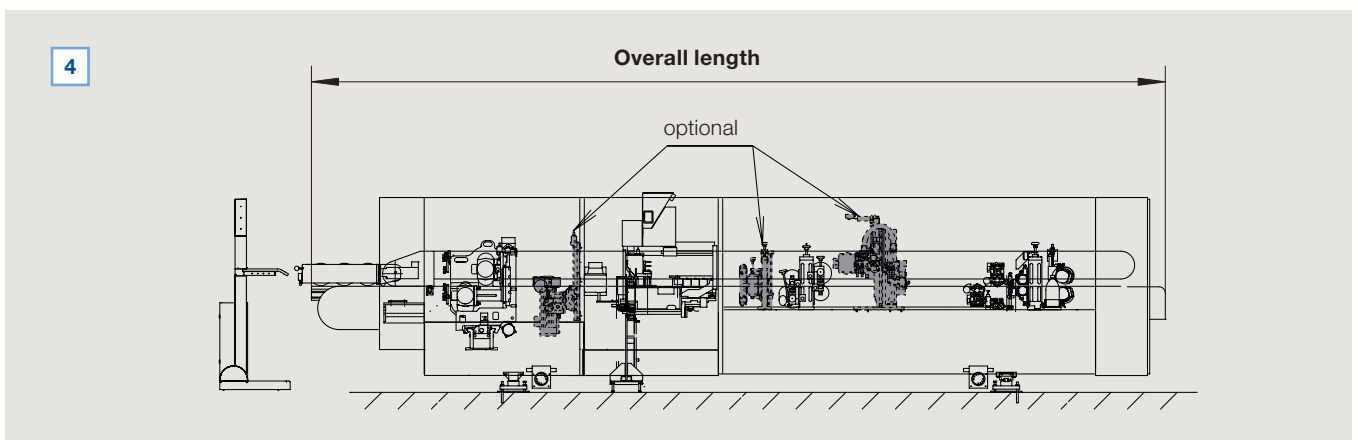
2 KAL 526/M2/C Optimat as the second machine in a line

5 KFL 526/M2/C Optimat as the second machine in a line

3 KAL 526/C Optimat as a standalone machine for longitudinal and cross processing

6 KFL 526/C Optimat as a standalone machine for longitudinal and cross processing

**KFL 520 Optimat with Compact double hogger**



## Units for the K 520 Optimat

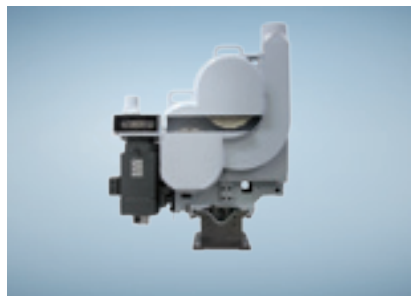
The units for the K 520 Optimat are taken from the proven range of modular units of HOMAG. Rough trimming units and grooving units can be mounted on the existing free

spaces. In addition to this, on the KFL an additional trimming unit can be mounted after the compact double hogger.



### Jointing trimming (KAL)

This unit permits a high level of processing precision, is extremely hardwearing and is also designed to ensure an above-average service life. The tool diameter is 125 mm.



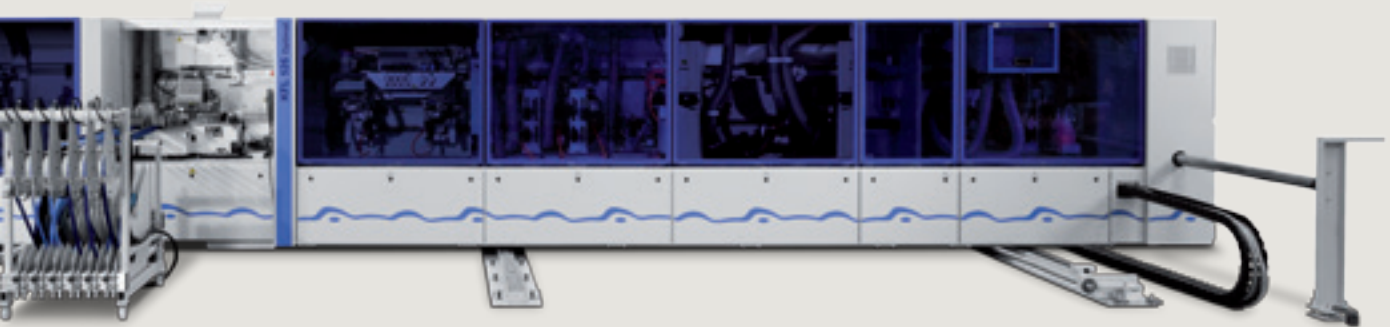
### Compact double hogger KD11 (KFL)

High-performance 6.6 – 11 kW motors permit the safe, splinter-free hogging of greater processing allowances. The KD11 unit performs sizing operations in the longitudinal and transverse direction with three motors. The tool diameter is up to 250 mm.



### Snipping unit PK25

For snipping the edge overhang at the leading and trailing workpiece edge with stationary snipping stop to protect sensitive workpieces from damage.



#### Trimming unit PF20

For trimming edge chamfers or radii.  
Options: Stepless or pneumatic adjusting devices for the trimming motor. Trimming motor exchange using exchange units.



#### Profile trimming unit FF32

For rounding top and bottom edges on the leading and trailing workpiece edges. By dividing the cut over four motors, each corner can be processed in synchronous rotation, so reducing the risk of splintering even with veneer.



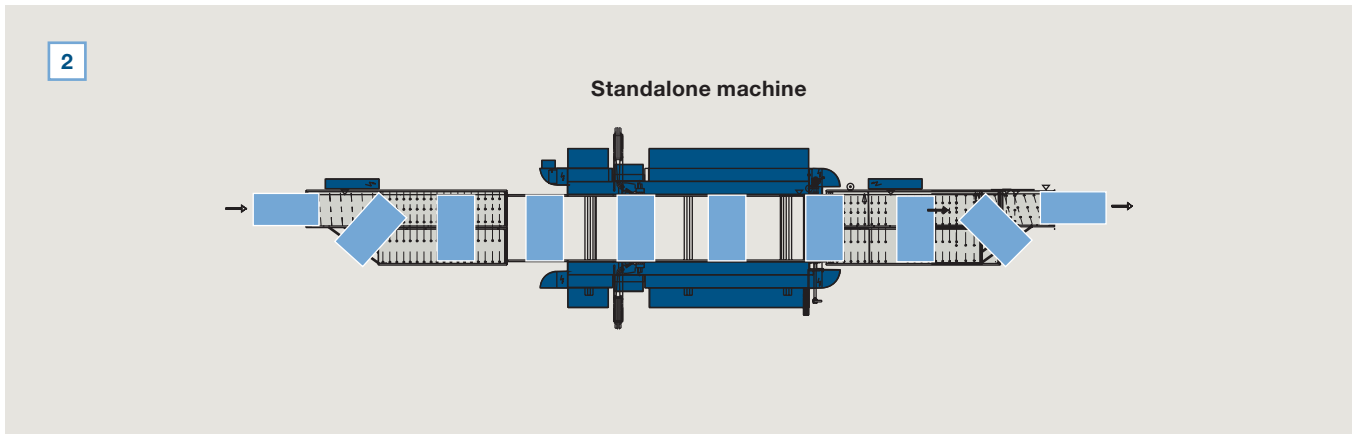
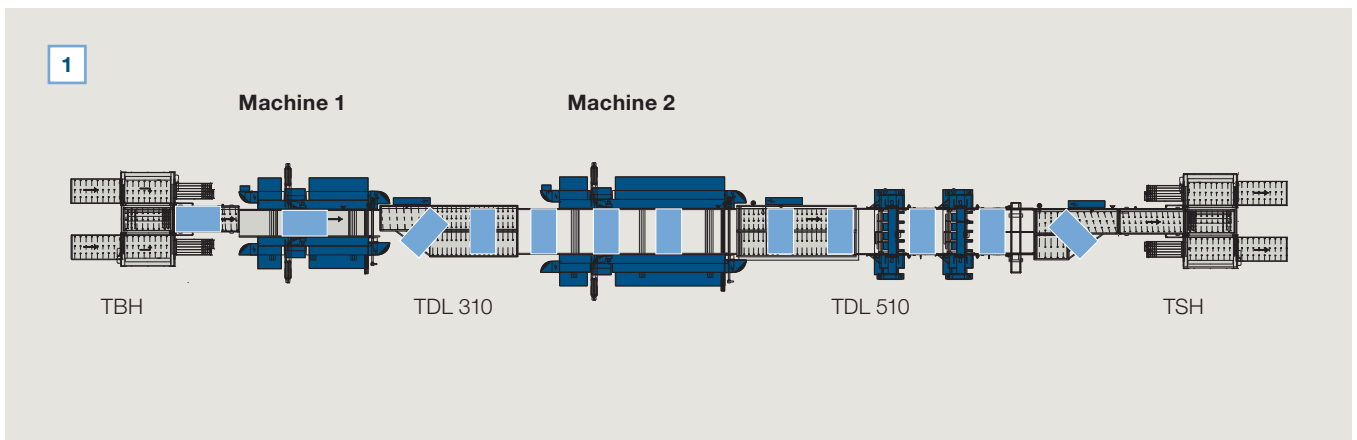
#### Finish processing FA21

Comprising a glue joint scraper for disposal of glue residues at the top and bottom of plastic edges and a buffing unit.

# Application samples

Machines of the series K 520 Optimat are ideal for the use in machine lines – e.g. two machines K 520 Optimat in production lines or as standalone machine in a short machine line.

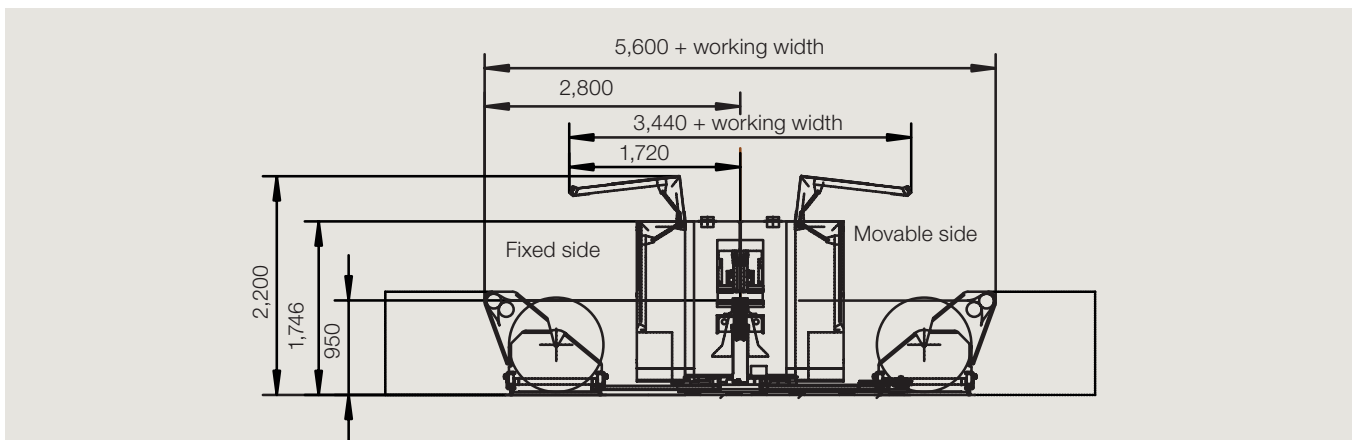
In production lines for medium to large-scale series the longitudinal and transverse processing of workpieces is carried out in a single pass. Short machine lines are suitable for medium capacities. The workpieces are processed in two passes first lengthwise then crosswise.



- 1 Machine line with rotary stations – longitudinal to transverse and transverse to longitudinal
- 2 Short line with rotary stations – longitudinal to transverse and transverse to longitudinal

# Technical data K 520 Optimat

## Width dimensions K 520 Optimat



## Length dimensions K 520 Optimat

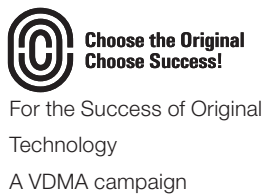
OVERALL LENGTH KAL 520 OPTIMAT			
	Line execution Machine 1	Line execution Machine 2	Standalone machine
KAL 525/M1/C (mm)	7,650	-	-
KAL 526/M2/C (mm)	-	11,880	-
KAL 526/C (mm)	-	11,880	11,650
OVERALL LENGTH KFL 520 OPTIMAT			
	Line execution Machine 1	Line execution Machine 2	Standalone machine
KFL 525/M1/C (mm)	7,650	-	-
KFL 526/M2/C (mm)	-	11,880	-
KFL 526/C (mm)	-	11,880	11,650

You will find information about the K 520 profiLine in “Edge banding and combination machines K 520 profiLine – Series production in superb quality“.



**HOMAG GmbH**

Homagstraße 3-5  
72296 Schopfloch  
Germany  
Tel. +49 7443 130  
info@homag.com  
www.homag.com



**K 520 Optimat and  
profiLine** – high-  
performance machines  
offering compact to  
tailored solutions