

# Sliding Panel Saw

CE

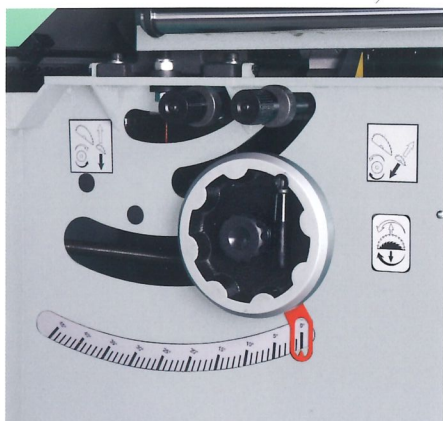
*Upgraded Design  
Sliding Panel Saw*



The newly upgraded and compactly designed model no. D401M with standard saw guard and optional overhead saw guard for your choice. Smooth aluminum sliding table frame design ensures high straightness accuracy and rigid scoring unit ideal for panel cutting.

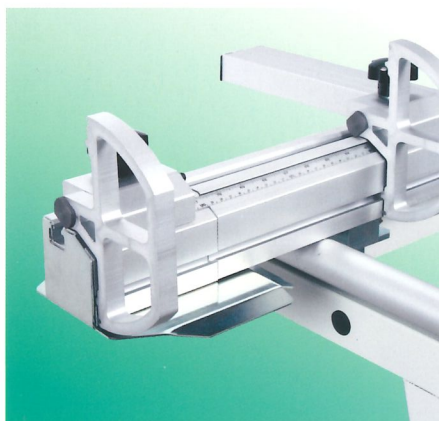
**D401M**

**HOLYTEK**



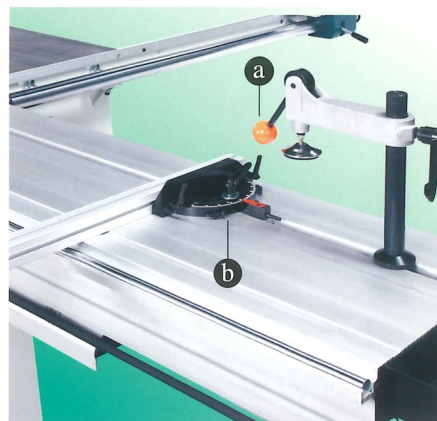
### Blade Elevation and Scoring unit adjustment

Large hand wheel for blade up/down and user-friendly scoring adjustment, ensuring reliability and accuracy.



### Cross Cut Fence

Large support rollers make this fence excellent for heavy panel cutting. It is very strong and can be pulled out to 3300mm length for 45 degree and 90 degree.



### a Hold Down Unit

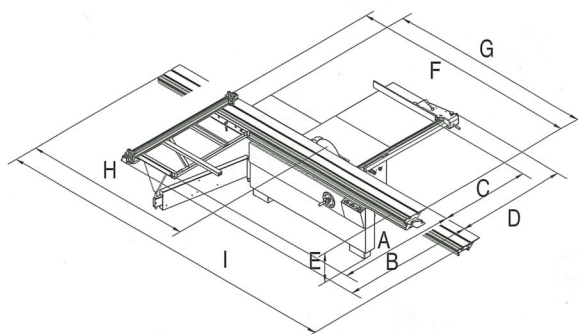
Quick and secure locking hold down are standard for customer use.

### b Miter Fence

It is standard for 0 degree to 45 degree adjustment for small cutting job.

## SPECIFICATIONS

MODEL	D401M
Rectified cast iron fixed table dimension	550x900mm
Sliding table dimension	3200x360mm
Main saw blade	400mm
Main saw bore	30mm
Max. cutting height with blade at 90°	130mm
Max. cutting height with blade at 45°	92mm
Main motor power (3ph)	7.5HP (5.5kw)
Main blade speed	3000/4000/5000rpm
Scoring saw blade	120mm
Scoring saw blade bore	20mm
Scoring blade motor power	1HP (0.75kw)
Scoring blade speed	8000rpm
Cutting width	1250mm
Cutting width adjustment	Manual
Blade tilting adjustment	Manual (0°~45°)
Main saw height adjustment	Manual
Scoring saw height adjustment	Manual
Scoring saw width adjustment	Manual
Main blade speed adjustment	Manual
Saw guard	Simple (overhead guard as option)
Cross cut fence	Manual
Dust collection system	120mm/60mm
N.W./G.W./MEAS. (Machine)	620/720kgs/2100x1100x1120mm
N.W./G.W./MEAS. (Sliding table)	80/103kgs/3296x424x218mm



D401M	
A	1615mm
B	Min. 1845~>Max. 2600mm
C	1285mm
D	1515mm
E	909mm
F	3200mm
G	3005mm
H	3200mm
I	6700mm

\* Specifications and design characteristics are subject to change without prior notice.

# HOLYTEK

## HOLYTEK INDUSTRIAL CORP.

9F-I, NO. 400, SEC. I, CHANG PING RD., TAICHUNG, TAIWAN, R.O.C.

TEL: 886-4-2245-2818 (REP.) FAX: 886-4-2243-6928

E-mail: holytek@ms13.hinet.net

http://www.holytek.com.tw