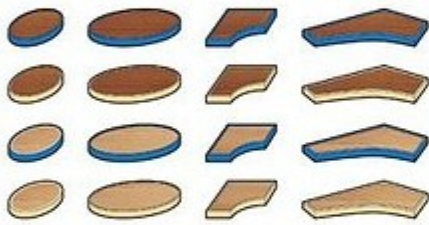


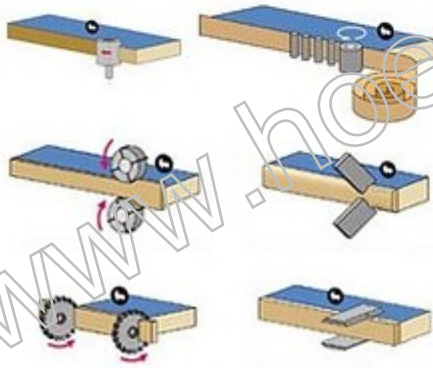
Planet



The best investment for the modern factory.

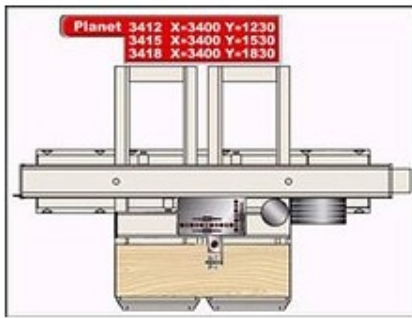


Possible realizations.



Possible workings.

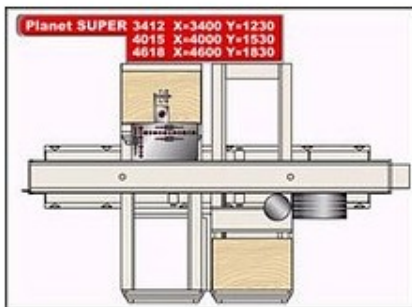
www.hoechsmann.com



Planet ST 3412
Planet ST 3415
Planet ST 3418

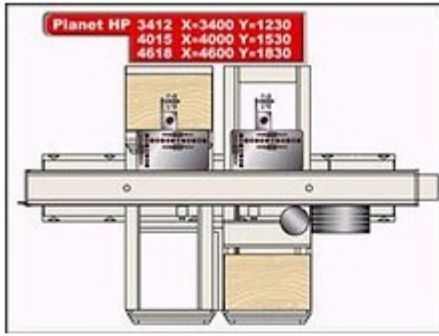
Machine equipped with:

- Edgebanding unit.
- Routing unit both are mounted on the frontside of the machine.
- Single working table with Y axis movement.



Planet SUPER 3412 Planet SUPER 4015 Planet SUPER 4618 Planet SUPER 6018 Machine equipped with:

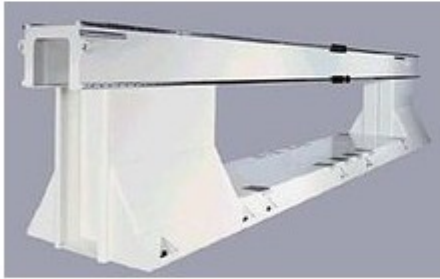
- Edgebanding unit on the frontside.
- Routing unit on the backside:
- Double synchronized working table with Y axis movement. This solution allows the simultaneous working of 2 panels with a productivity increasing of 50% compared with the ST version.



Planet HP 3412 Planet HP 4015 Planet HP 4618 Planet HP 6018 Machine equipped with:

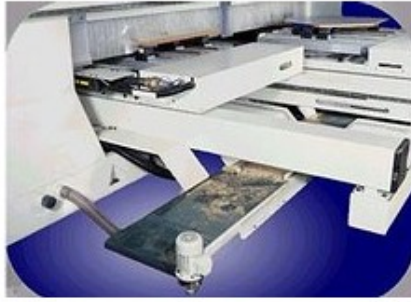
- Edgeworking unit on the frontside.
- 2 independent Routing units on the backside.

•
 Double synchronized working table with Y axis movement. This solution allows the simultaneous working of 2 panels with a productivity increasing of 80/90% compared with the ST version.



Structure

The portal structure is made up of a welded steel single block with stiffening ribs that allows for very high stiffness and solidity even when working with 1 G of acceleration and traverse speed of up to 150 m/min. This solution allows high quality panels to be produced with production schedules never seen before. The powerful 30 mm prismatic guides and the pinion rack system are also used to move the drilling and milling units and the edging unit. The accelerations of up to 1 G and the speed of up to 150 m/min of these units allow the times for the manufacturing cycle of the panels to be considerably reduced.



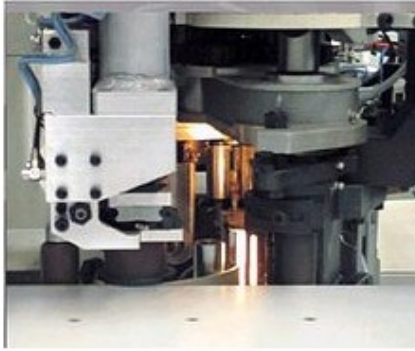
The work tables are independent from each other and run in the X direction along 30 mm prismatic guides through a double pinion and rack system positioned on the outside edges of each of them. This system allows for a perfect balance of the loads and a correct movement along Y.



Operator Units

Edgebanding unit The edging unit has been produced following the most innovative technological design and construction criteria as:

- superior hold of the edging glued on the panel as more glue is applied per cm² in this way
- strong reduction of the effect of external environment factors such as temperature, in respect of the solutions that apply the glue on the edge as a greater quantity of material tends to always maintain its temperature for a longer amount of time.



Optimum 360° closure obtained with a photoelectric cell incorporated in the edging unit; 3 cm before reaching the closure point the photoelectric cell reads the amount of edging already glued and gives the pre-cutting unit the measurement to trim the edge. This system is very precise as it calculates the exact length for the closure of the final section; the error introduced is very minor compared to a reading of the whole length of the edging that could change along the perimeter of the piece being manufactured.



A quick release glue tank able to hold up to 1,500 g of glue with a 3-minute turnaround has been fitted to speed up the machine setting operations. A very useful solution when having to use different types of glue (in colour and features) as additional tanks can be prepared and very quickly installed.



The work area is formed of two tables mobile in Y, independent from each other (except for the basic Planet model which features a single table). The two-area solution allows for pendulum manufacturing of two panels at the same time, alternating the edging phases with the milling and finishing phases of the edge. The Y movement of the two tables can be synchronized to obtain a single table and work large sized single panel.



Boring and routing unit The 7,5 Kw Power 2000 electro spindle is fitted on a slide independent of the drilling unit and equipped with a 400 mm vertical stroke. This unit presents the following features:

www.roechsmann.com

- 7,5 Kw motor with constant power output from 9000 to 18000 rpm;
- VECTOR, 0/540° numerically controlled rotating axis to use the aggregates to end trim, trim and scrape the edge and the glue independently of the panel's trimming;
- Electronic control by programme of the speed from 1500 to 180000 rpm with inverter;
- Selection of left/right rotation from the programme.

A 12 positions tool magazine is fitted directly on the side of the routing unit and allows for automatic tool changing in masked times. Drilling unit is a 18+6 spindles head.

Multifunctional aggregate

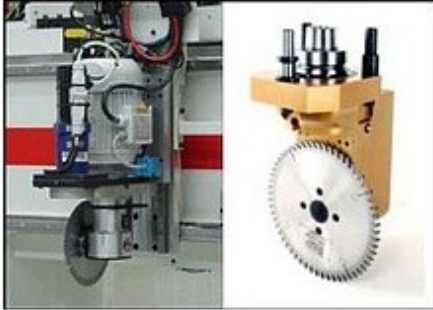


Trimming unit Equipped with a section pneumatically mobile in Z through the numerical control, to fit the different thickness of the panels from 16 mm to 60 mm.

Edge scraping unit Equipped with a part pneumatically mobile in Z through the numerical control, to fit the different thickness of the panels from 16 mm to 60 mm.



An "isle" for the automatic selection of the 6 bands (optional) is placed in a on the front side of the beam, near the edge banding unit; while loading a new band the second routing and finishing unit can work independently on the panel thus covering the time of this operation with a great increase in terms of production.



Aggregates for Edge finishing

End trimmer unit End trimming aggregate equipped with a 180 mm diameter blade and 9000 rpm rotating speed. The unit is available as Aggregat or as single unit fixed on the front side of the machine.

www.hoechsmann.com

Technical data

Work area in X with one panel	mm 3400/4000/4600
Work area in X with two panels	mm 1300/1600/1900/3000
Work area in Y	mm 1230/1530/1830
Panel passage *	mm 200
Edge thickness	mm 0,4 - 3
Minimum internal radius on 90° angle**	mm 50
Minimum external radius on 90° angle**	mm 8
Edges magazine capacity	1/3/6 rolls
Electro spindle power	10/15 Hp (7,5-11 Kw)
Electro spindle tool attachment	HSK 63
Rapid magazine capacity	12 tools
Drilling bits motor	3/4 Hp
Drilling bits Rpm	4500/6000 Rpm
Movement speed in X	m/min 150
Movement speed in Y	m/min 150
Movement speed in Z	m/min 25
Installed power	KVA 45
Compressed air pressure	atm 7
Electro spindle extractor outlet diameter	mm 160
Drilling head extractor outlet diameter	mm 160
Edge banding unit extractor outlet diameter	mm 80
Intake air consumption	m ³ /h 5600/11200 a 30 m/sec
Total weight	up to Kg 12000

www.hoechsmann.com