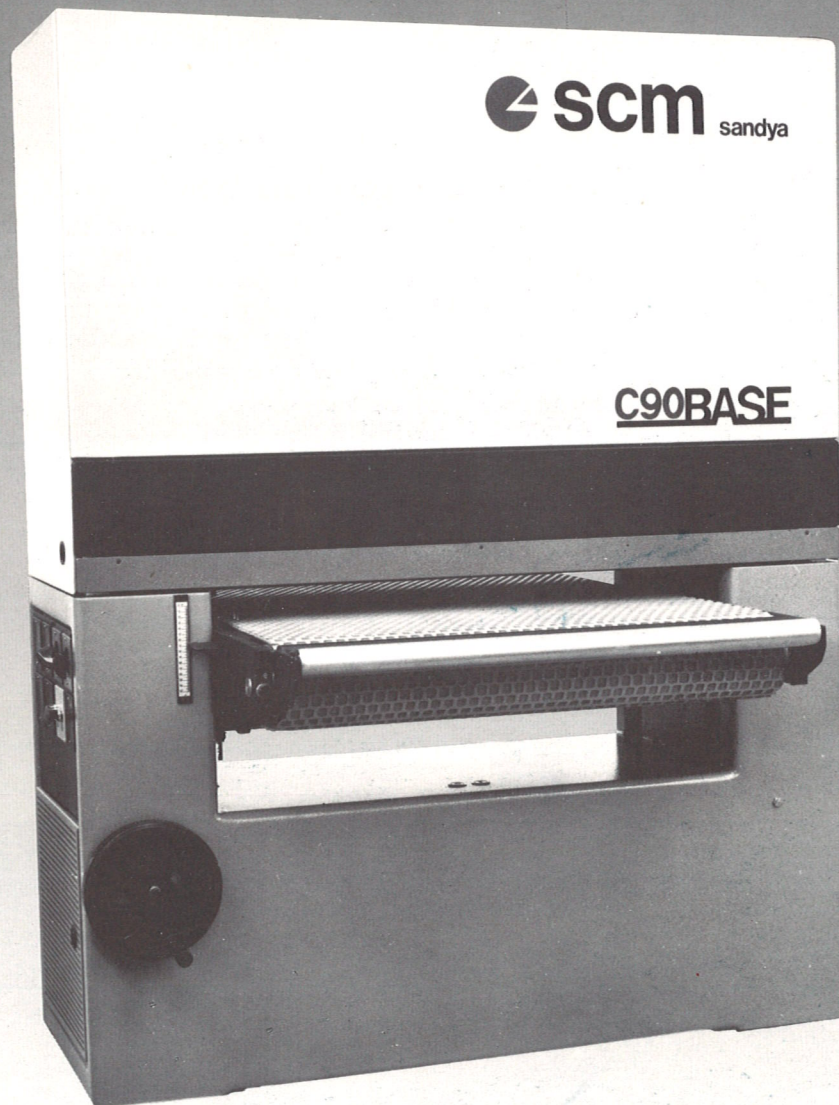


C90 BASE

OVERHEAD WIDE BELT SANDER



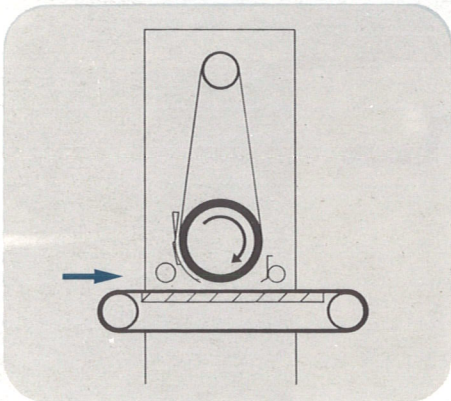
The C90 BASE is an overhead wide belt sander specially designed to deal with the problems of solid wood processing. It is suitable for any size of workshop.

The C90 BASE is a practical, accurate and safe machine which requires only limited investment and minimum servicing.

- Horsepower requirement is only 7.5 kW at maximum output
- It is very simple to use and set up. It takes only a few seconds to change over from one job to another
- Exceptionally good value: only SCM can offer such a high quality sander at such a good price

 **scm**

C90 BASE

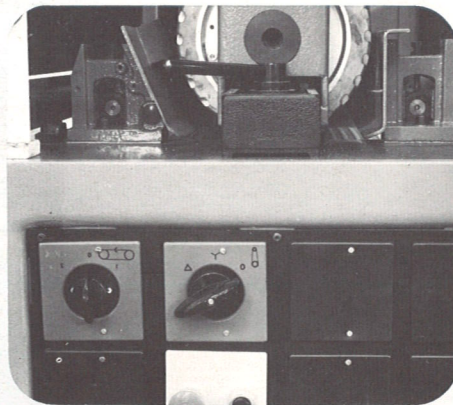
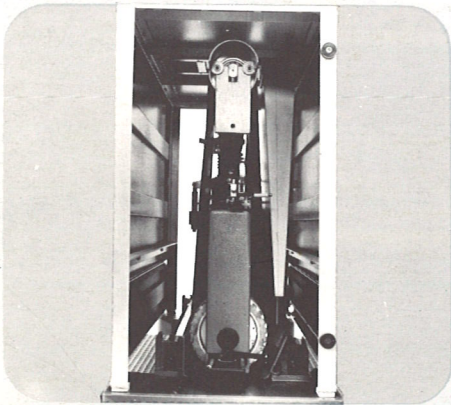


Accurate, practical and safe

Calibrating roller is coated in helicoidal ribbed rubber to guarantee maximum performance from abrasive belt.

Belt stretching roller is equipped with a device to prevent the belt from slipping sideways.

All safety devices are supplied as standard. Should the belt break or slip the machine will stop immediately.



Very simple control panel: only 2 change over switches. 1) To start machine head; 2) feed belt.

TECHNICAL SPECIFICATIONS

Working capacity	900 mm
Workpiece thickness	160 mm
Size of abrasive belt	2050 x 915 mm
Speed of abrasive belt	18 m/sec
Calibrating motor	7,36 kW (10 HP)
Feed motor	0,7 kW (1 HP)
Feed speed	5-10 m/min
Working pressure	6 Atm
Air consumption	100 nl/min
Exhaust air for each hood	1500 m ³ /h
Net weight	1260 Kg approx.
Overall measurements	1390x1475x2050 mm
Gross weight in seaworthy packing case	1530 Kg approx.
Overall measurements in seaworthy packing case	1760x1370x2210 mm (5,33 m ³)

Optionals

Calibrating motor 11 kW (15 HP)
Mushroom emergency push button
Powered table adjustment.

The illustrations and the data contained in this brochure are not binding. SCM reserves the right to make changes for technical, commercial and organizational reasons, the main characteristics of the machines remaining unaltered. In addition, the parts added, such as the protections, accessories, etc. can differ to conform to the laws and special requirements of the countries to which the machines are to be supplied.



SCM International S.p.A.
47037 RIMINI - ITALY - VIA EMILIA 77
Tel. 0541/700111 - Telex 550142