

# CP RANGE OF QUALITY SLIDING TABLE PANEL SAWS

The new CP range of sliding table panel saws from Wadkin – the standard by which all other specifications must now be judged.

Built to exacting standards of quality these high specification machines offer outstanding value for money. Wadkin has developed the CP range for the upper end of the market where accuracy, reliability and ease of operation are of paramount importance. The four models permit complete flexibility; not only in the size of panel capable of being processed but also materials. Panels, boards, solid timber, plastics and non-ferrous metals are all capable of being cut with the same accuracy and efficiency.

A maximum panel size of 3800mm x 3800mm is possible allowing a wide range of applications.

## SLIDING TABLE

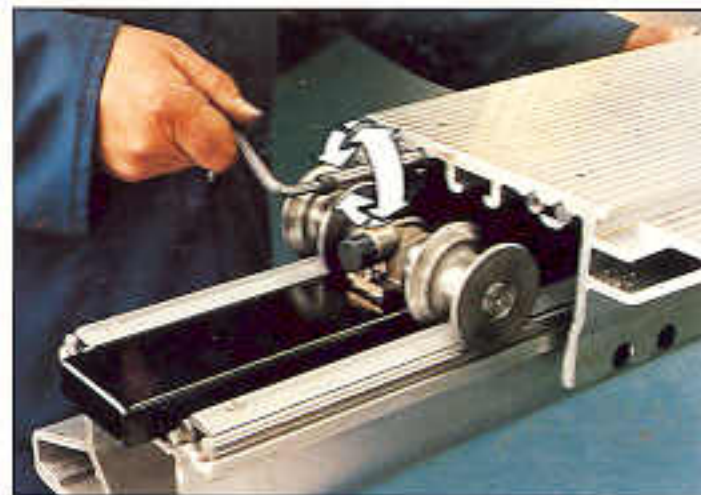
The CP Range of saws has a unique "Easyglide" sliding table system incorporating heavy duty, extruded sliding table and beam.

Lifetime accuracy is guaranteed with the design of the roller system which employs ground steel guide bars and replaceable rollers, eliminating any problems with track wear.

## TILTING ARBOR WITH SCORING SAW

An independent scoring saw mechanism has been fitted to the CP Range with external adjustment of horizontal and vertical movement. A 300mm diameter main blade is used in conjunction with a 120mm diameter scoring blade when panel cutting to eliminate breakout to the bottom face. If scoring is not required a 400mm diameter blade may be fitted, offering 125mm depth of cut for deep ripping.

As with other Wadkin panel saws, the CP Range saw blades can be canted up to 45 degrees as standard, enabling mitres, bevels and intricate compound angles to be cut.



Wadkin's unique "Easyglide" sliding table system incorporates heavy duty extruded sliding table and beam. Quick change ground steel bars and replaceable rollers form the heart of the "Easyglide" mechanism. A simple adjustment allows the bars to be rotated. This prolongs their life and eliminates any problems caused by track wear. Accuracy is therefore always assured.



Ball bearing mounted rip fence provides easy movement for accurate setting

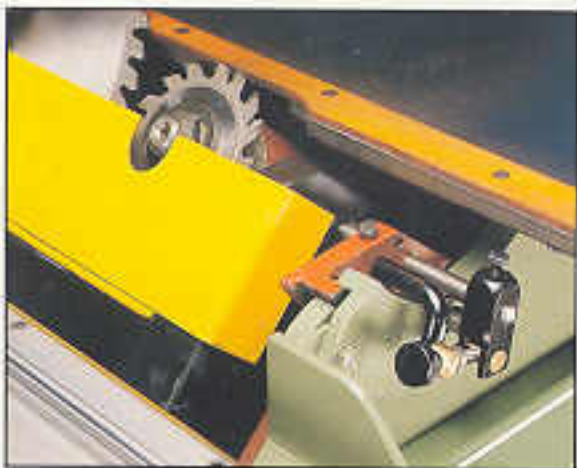
The CP Range of sliding table saws for all your cross cutting, ripping, mitring and panel sizing operations in various materials. These include solid wood faced and veneered panels, plastics and non-ferrous metals.



Turn-over stops with "Prism Pointer" ensures accurate length setting for front or rear cutting operation.



Easy access and a toggle lever operated belt tension device makes spindle speed changing simple.



Independent scoring saw unit with external adjustment of horizontal and vertical movements.

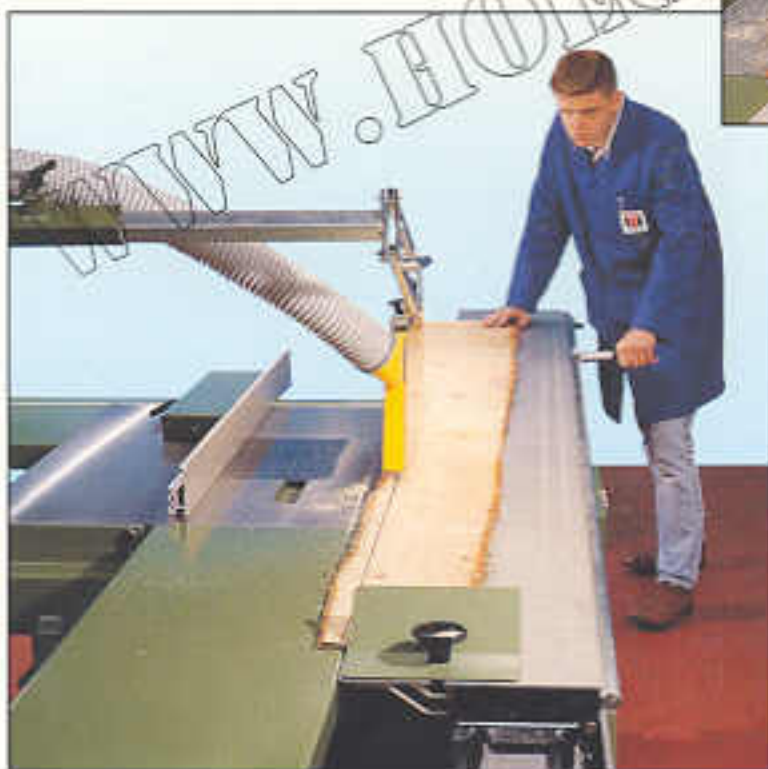


All handwheels are conveniently positioned to the front of the machine.

# QUALITY CUTTING



Compound angle cutting with a fixed double mitre fence.



Straight line edge ripping hold down plate ensures safe and accurate sawing.

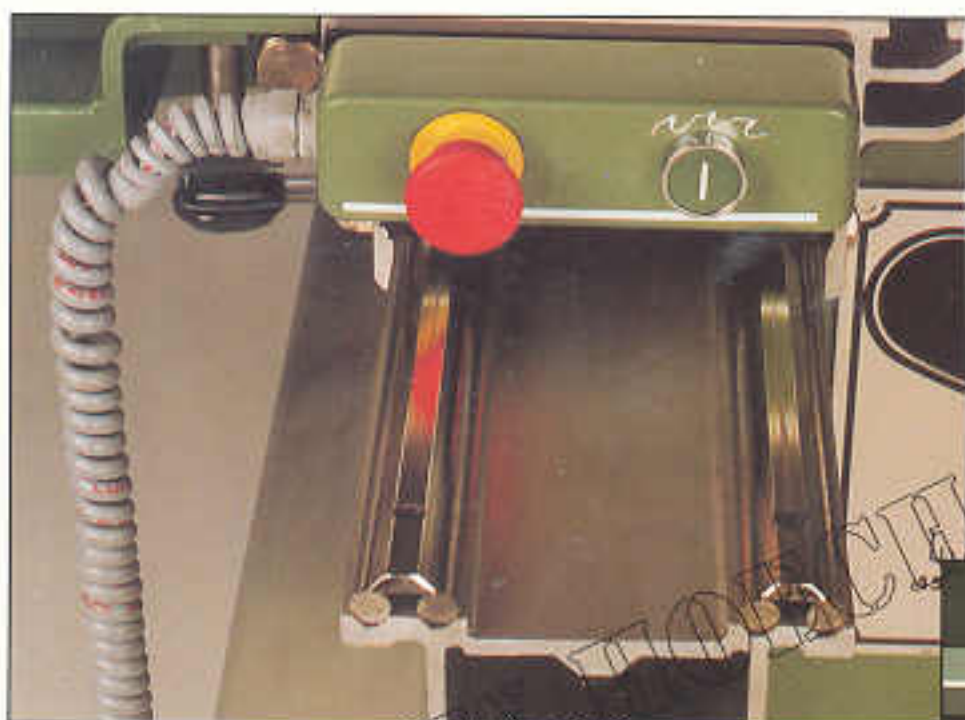


Angle cutting is easily achieved with the pivoting cross-cut fence.



Panel sizing with heavily constructed supporting table and rigid cross cut fence and stops.

# QUALITY DESIGN



Duplicate stop/start fitted to sliding table for main blade and scorer blade.



Rear hold down plate (optional) enables accurate straight edges to be sawn with safety along boards or panels with no datum edge.



Deluxe mitre fence for all dimensioning work.



Double extension table for extra heavy panels.



The manual cramp is especially useful for the machining of small components.

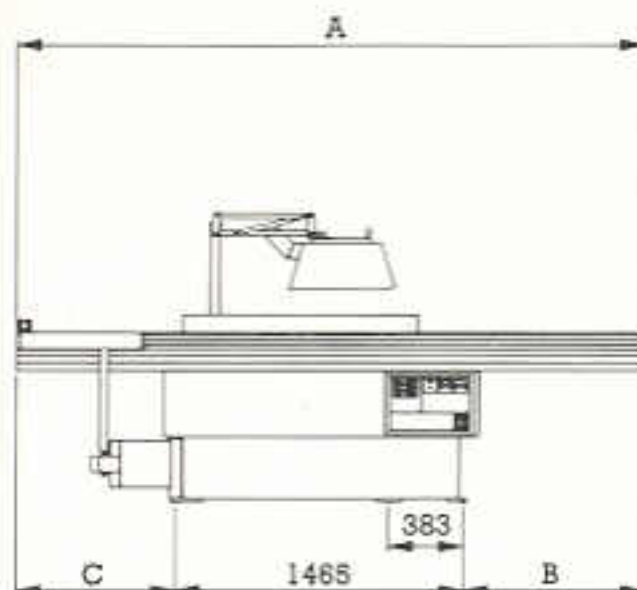
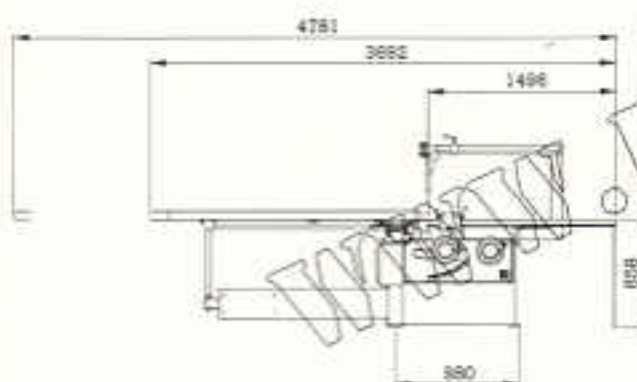


Dado set with grooving and trenching facility increases the all-round capability of the CP range.



Electronic positioning of rip fence, tilting and rise and fall makes setting even quicker.

# CP RANGE SLIDING TABLE PANEL SAWS



MODEL	A	B	C
CP160	3490	1090	935
CP260	5490	2090	1935
CP320	6690	2690	2535
CP380	7890	3290	3135

For a fuller specification of the CP Range of Sliding Table Panel Saws please contact Wadkin or your local Wadkin representative for a quotation.

## SPECIFICATION

		CP160	CP260	CP320	CP380
Max Panel Size	- 1600mm x 3200mm (63" x 125")	■			
	- 2600mm x 3200mm (102" x 125")		■		
	- 3200mm x 3200mm (125" x 125")			■	
	- 3800mm x 3200mm (149" x 125")				■
Sliding Table Size	- 340mm x 1600mm (13 1/4" x 63")	■			
	- 340mm x 2600mm (13 1/4" x 102")		■		
	- 340mm x 3200mm (13 1/4" x 125")			■	
	- 340mm x 3800mm (13 1/4" x 149")				■
Fixed Table Size	- 744mm x 1067mm (29" x 42")	■	■	■	■
Max. dia of main saw	- 400mm (16")	■	■	■	■
Max. dia of main saw when scoring	- 300mm (12")	■	■	■	■
Max. main saw projection	- 125mm (5")	■	■	■	■
Max. scoring saw projection	- 4mm (1/32")	■	■	■	■
Scoring saw diameter	- 120mm (4 3/4")	■	■	■	■
Projection of 300mm main saw at 90°	- 0mm - 75mm (0" - 3")	■	■	■	■
Projection of 400mm saw at 45°	- 50mm - 125mm (2" - 5")	■	■	■	■
Main saw spindle dia.	- 25mm with 30mm spigot	■	■	■	■
Scoring saw spindle dia.	- 20mm	■	■	■	■
Main spindle speeds	- 2800, 3800, 4500 rpm	■	■	■	■
Scoring saw spindle speed	- 8500 rpm	■	■	■	■
Main saw motor	- 4KW (5.5HP)	■	■	■	■
Main saw motor optional	- 5.5KW/7.5KW (7.5HP-10HP)	■	■	■	■
Scoring saw motor	- 0.55KW (0.75HP)	■	■	■	■
Length of cut with sliding table	- 1600mm (63")	■			
	- 2600mm (102")		■		
	- 3200mm (125")			■	
	- 3800mm (149")				■
Distance from saw to stop on cross-cut table	- 3200mm (125")	■	■	■	
Max. distance from saw to rip fence	- 1250mm (50")	■	■	■	■
Floor space	- 3490mm x 4781mm (137" x 188")	■			
	- 5491mm x 4781mm (216" x 188")		■		
	- 6690mm x 4781mm (263" x 188")			■	
	- 7890mm x 4781mm (310" x 188")				■
Dust extraction outlets dia	- 100mm undersaw / sawguard	■	■	■	■
Dust extraction required	- 425 CFM	■	■	■	■
Nett weight approx.	- 610kg (1766lb)	■			
	- 830kg (1830lb)		■		
	- 650kg (1874lb)			■	■
Gross weight approx.	- 1080kg (2249lb)	■			
	- 1070kg (2389lb)		■		
	- 1100kg (2425lb)			■	■

As our policy is to constantly improve design the details given in the leaflet are not to be regarded as binding

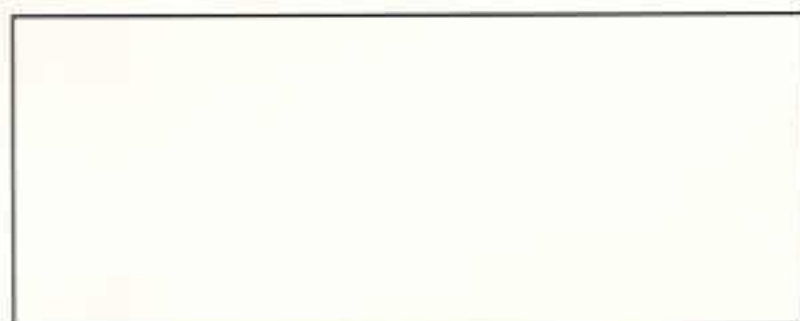


Wadkin Group of Companies,  
Green Lane Road,  
Leicester LE5 4PF,  
England.

Tel: 0533 769111  
Fax: 0533 742310



A BM Group Company



Equivalent ISO 9001, EN 29001

Issued 5/93