

Large planing in a small space.

TP300

MARTIN



TP300

Durable, even in the smallest space.

If there is not a lot of space in your workshop, but you want to base your success on optimal results, we recommend our combi planer, the TP300. It delivers top quality surface and thickness planing results in the smallest space.

Thanks to its robust, grey cast iron machine table and a powerful feed, the compact machine offers superb results from the outset. Its ease of use and ergonomic operation support smooth work and reduce expensive set-up times. Switching from surface planing to thickness planing and vice versa is done in a matter of seconds. There is an option for electro-motor assistance for folding the machine table up and down. The integrated chip hood is always in the correct position – no need to move it. The quick and simple adjustment of the chip removal and the easy adjustment of the edging fence ensure accurate surface planing and joining work. The thicknessing table sits on four jack screws and ensures constantly accurate thickness planing results. The height is adjusted quickly and easily by an electric motor according to a digital display.



TP300 with accessories

[TP300180 | Automatic star-delta start-up](#)

[TP300190 | TERSA solid steel cutter block Z4](#)

Operating the TP300 | Standard

The operating elements of the TP300 are easily accessible and clearly located on the front side of the machine. Options such as the automatic star-delta start-up or the motorised unfolding of the table make handling easier and improve performance.



Bridge guard device | Standard

The two-piece cutter block guard provides comfort and safety.

Surfacing fence scale | Standard

Joining and bevelling made easy.

The smooth surfacing fence of the TP300 allows for easy and accurate adjustment at every angle between 90° and 45°. Optionally, the fence can be equipped with an auxiliary fence for safe working with thin workpieces.



A large number of options for efficient planing.



TERSA cutter block | TP300190

TERSA cutter block | TP300190

The TERSA solid cutter block with 4 blades ensures the best surfaces. By using dummy blades it is possible to quickly and easily switch between Z4 and Z2 mounting. It only takes seconds to switch blades and there are four blade qualities to choose from.



Sliding rollers in the thickening table | TP300120

Sliding rollers in the thickening table | TP300120

The sliding rollers in the thickening table are ideal for all construction companies, carpentry shops or sawmills that mainly work with resinous and green woods. The rollers are not suited for anyone who places maximum value on perfect surfaces.

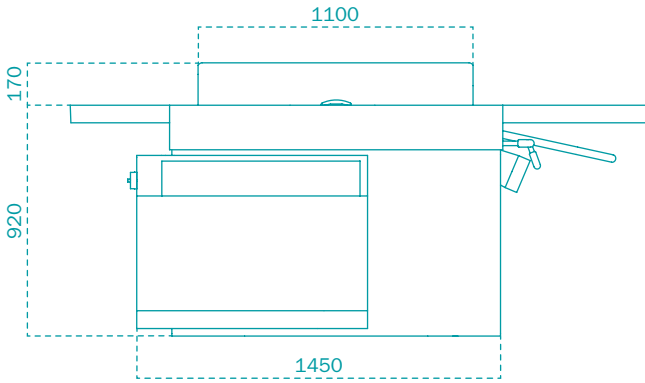
Folding and unfolding the tables | TP300050

The tables are quick and easy to unfold with spring assistance or electrically on request. Connection to the extraction system is always maintained, which saves setup time.

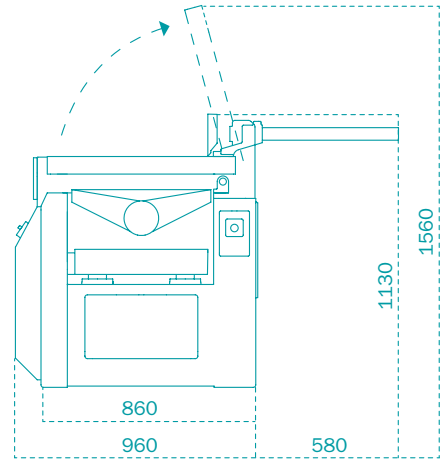


Electric table unfolding | TP300050

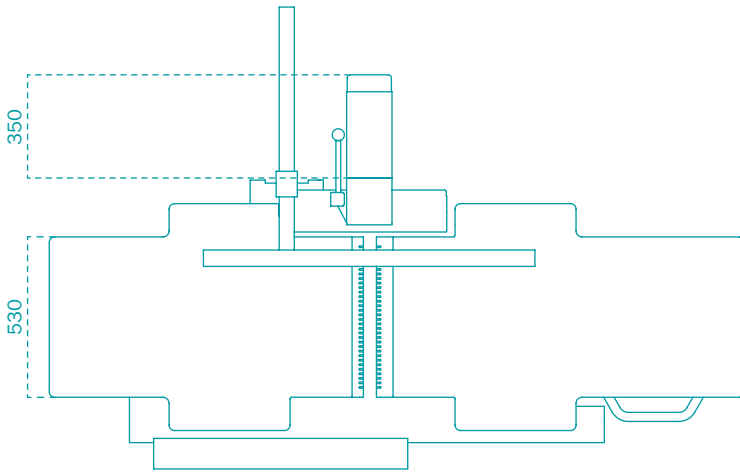
TP300 Combined surface planer | planer



TP300 | Side view



TP300 | Side view



TP300 | Plan view

Technical Data

TP300 Combined surface planer | planer

Motor power optional	5.5 kW 7.5 kW
Cutter block speed optional	5,000 rpm –
Cutter block optional	Strip planing cutter block Z4 TERSA Z4 Spiral cutter block MBM
Cutter block diameter	120 mm
Planing height	3.0 – 250 mm
Planing width	530 mm
Chip removal	max. 8 mm
Control	none
Feed optional	6 12 m/min continuous
Profiling depth	–
Extraction connection	140 mm
Weight	approx. 1,000 kg

The machines generate very little dust as per BGI 739-1 Annex 1.

All dimensions in millimetres. Made in the European Community.

Dimensions and specifications subject to technical innovation and may be changed without notice.

Illustrations may differ from the original. The binding technical features and equipment are given in the applicable price list.

Visit us at:

Website



Facebook



YouTube



Brochure



Contact us at:
+49 (0) 8332 911 - 0
sales@martin.info

MARTIN