

FLEX5

FLEX5 -Aggregate Retrofittable 5-axis Functionality

The patented sawing and trimming aggregate with automatic angular adjustment from Weinmann now permits 4-axis processing centers to be upgraded for the very first time by extending the functionality with a fifth axis.

The particularly notable feature of this aggregate is that it can be exchanged like any „normal“ tool from a plate or chain-type changer. After being mounted in the working spindle, the angle (A-axis) can be automatically adjusted by a clamp and by rotation of the C-axis.

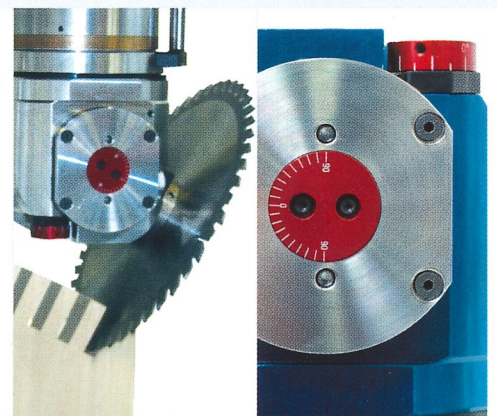
The high degree of precision achieved during angular adjustment guarantees outstanding repetition accuracy and eliminates the need for test cuts or corrections, e.g. in the case of shift cuts, which are frequently still required, using a sizing circular saw. Due to the 2 different versions of the aggregate it is possible to pick up a 550 mm sawblade (standard version: 240 mm). Hereby the FLEX5 becomes highly efficient in the wooden house construction range (beam processing).

A separate CAD/CAM software is not required to control the aggregate because the adjustment axis function is a standard feature of woodWOP 5.0

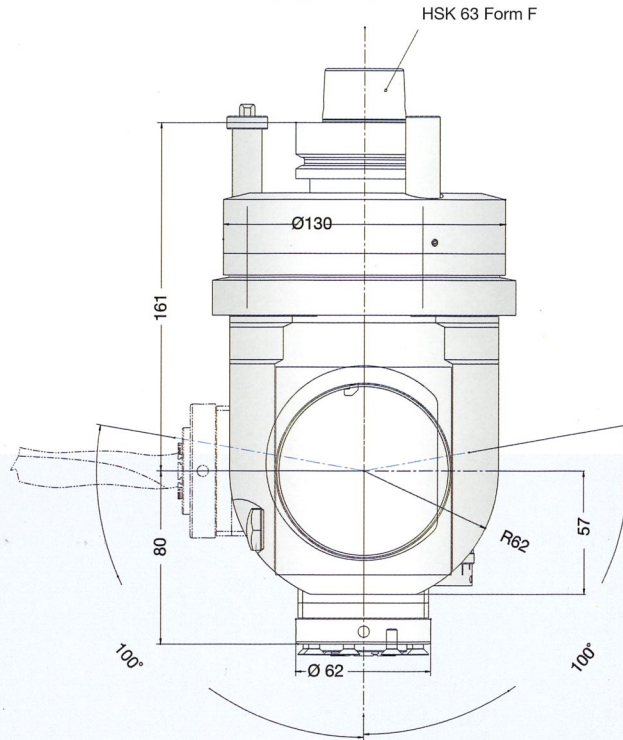
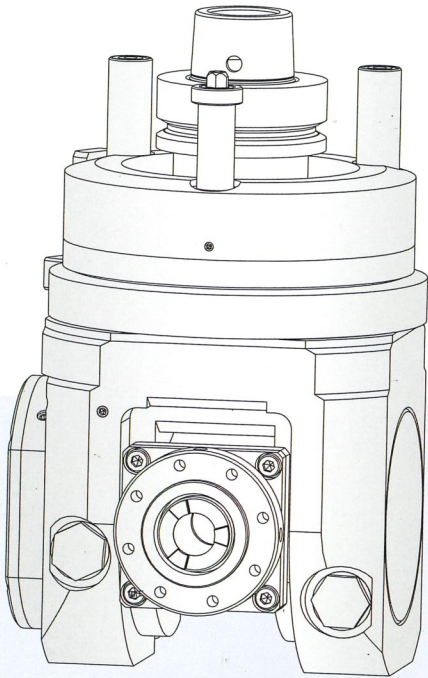


Homag adapted it for use on all types of processing centers (specific models only) and offer you a perfect economical solution. The FLEX5 unit allows you to develop the 5-axis technology at a lower cost and faster than ever before.

Have a look at it in use at our location and be convinced for yourselves.
We look forward to meeting you.



FLEX5



TECHNICAL DATA FLEX5

Version 1			Version 2		
Sawblade	mm	up to $\varnothing 240$	Sawblade	mm	up to $\varnothing 420$
Motor speed	n/max	15000 RPM (S1-operation)	Motor speed	n/max	12000 RPM (S1-operation)
Gearing	i	1:1	Gearing	i	1:0,5
Swivel angle	degrees	0 ± 100	Swivel angle	degrees	0 ± 90
Rotating direction		right / left	Rotating direction		right / left
Weight without tools	kg	appr. 10	Weight without tools	kg	appr. 16
Combi-toolhead		Sawblade holder: TK52, 8 x M5, $\varnothing 40$, Collet ER 25 DIN 6499, clamping field 0,5-16 mm	Combi-toolhead		Sawblade holder: TK75, 6 x M6, $\varnothing 55$, Collet ER 32 DIN 6499, clamping field 3-20 mm

NOTE: Equipment as described in this brochure is subject to technical changes and further developments. Technical data refer to standard versions and are not binding for the order.



Homag Holzbearbeitungssysteme AG
 Homagstraße 3-5
 72296 SCHOPFLOCH
 GERMANY
 Tel.: +49-7443-130-0
 Fax: +49-7443-132-300
 info@homag.de | www.homag.de



WEEKE Bohrsysteme GmbH
 Benzstraße 10-16
 33442 HERZEBROCK-CLARHOLZ
 GERMANY
 Tel.: +49-5245-445-0
 Fax: +49-5245-445-139
 info@weeke.de | www.weeke.de



Weinmann Holzbausystemtechnik GmbH
 Forchenstrasse 50
 72813 St. Johann-Lonsingen
 GERMANY
 Tel.: +49-7122-8294-0
 Fax: +49-7122-8294-66
 info@weinmann-partner.de
 www.weinmann-partner.de