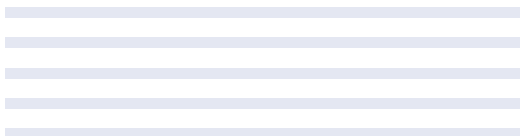


334|10 335|10 336|10 436|10 546|10



Planing machines

It's the result that matters.





Quality - Functionality - Efficiency

PANHANS planing machines meet the highest standards. Solid design and quality materials result in machinery with high reliability and longevity. All PANHANS planing machines are meticulously tested during manufacture.

Install - Connect - Plane





334|10 335|10 336|10 Surface planing machine **436|10** Thickness planing machine

The all-rounder



334|10 335|10 336|10

- 3 different planing widths
model 334|10 = 410 mm
model 335|10 = 510 mm
model 336|10 = 630 mm
- Total length 2850 mm
- Electrical adjustment of infeed table
- Hollow and tapered jointing adjustment
- Motor capacity 5.5 kW



436|10

- Planing width 630 mm
- Planing height 3 - 300 mm
- Electrical adjustment of thickness table via 'Easy-Drive' controller
- Thickness table secured against tilting
- Motor capacity 7.5 kW

Figures show options

334|10 335|10 336|10 + 436|10

546|10 Combined planing machine

The specialists



334|10 335|10 336|10 + 436|10

Planer and thickness planing machine from PANHANS can be placed next to each other due to their special space-saving form.

An optimal production run is thus guaranteed.

The features of both the machines can be used without any restriction.



546|10

- Combined surface and thickness planing machine
- Planing width 630 mm
- Comfortable planer and thickness planing without dismantling
- Dimensionally stable and precise planer table
- No folding up of the working table
- Both work steps are possible in dual mode for 315 mm planing stop position

Figures show options

334|10 335|10 336|10 Surface planing machine



Figure shows options

Protecting device TXF 1570



with freely height-adjustable two-piece cover

PANHANS four-knife shaft



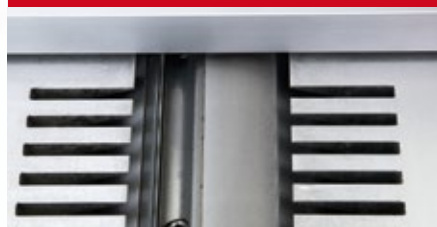
with 4 planer knives and 2 screw-on type brass adjusters

Fence



tiltable up to 45°

Toothed table lips



for low-noise operation

The surface planing machine 334 (410 mm planing width), 335 (510 mm planing width) and 336 (630 mm planing width) are characterised, in addition to their compact and sturdy steel construction, by the extremely smooth and low noise operation of their dynamically balanced knife shaft.

The maintenance-free construction of the mounting with high-precision ball-bearings guarantee long lasting reliability.

The finely planed cast iron tables with a total length of 2,850 mm facilitate sliding the workpieces. The asymmetrical arrangement and the infeed table with a length of 1,620 mm ensure perfect planing results. The controls for the electrical height adjustment with digital display for planing depth are arranged functionally.

The hollow and tapered jointing adjustment can be precisely adjusted by using a hand wheel on the outfeed table.

The fence of a thick-walled, anodised, double-chamber profile can be easily freely adjusted to 45°. The integrated auxiliary fence can be easily expanded and folded down without tools.

The machines are planed in the factory.

- Motor power 5.5 kW / 7.5 HP
- Planing widths 410 / 510 / 630 mm
- Total table width 2850 mm
- Take-off up to 8 mm, with electrical adjustment
- Depth of cut with motoric adjustment

Finely planed casting table



optimum sliding properties

Anodised planing fence



with auxiliary fence

LED-display for the take-off



with press buttons for electrical table adjustment

Display



for hollow and tapered jointing adjustment

Tersa-knife shaft

Option



with 4 reversible knives for low-noise operation and quick tool change

Spiral cutter head

Option



with 6 spiral-shaped rows of blade and HM reversible blades for pulling cut and enormous noise reduction

Suvamatic protecting device

Option



with two-piece cover with spring-mounted surface pressure, which can be folded-down

TX-matic planing protecting device

Option



with two-piece cover with spring-mounted surface pressure, which can be folded-down

436|10 Thickness planing machine



Position control easy drive



Easy and precise setting of the planing height from 3 to 300 mm.

2 feed speeds can be activated (7 + 14 m/min).

Roller mill



Precise setting, infeed and outfeed rollers 90 mm \varnothing , segmented rubber rollers, pendulum-mounted and standard link pressure bars for perfect planing

Thickness table



with 4 trapezoid spindles, secure against tilting for optimal planing results

The thickness planing machine 436 10 has a compact and space-saving design, mature planing technology and can be configured individually with a planing width of 630 mm.

The electrical height adjustment with the easy drive position controller allows quick and precise settings of the planing height ranging from 3 to 300 mm.

The thickness table has 4 trapezoidal thread spindles, 2 tilt protectors and it is 1100 mm long. The finely planed surface ensures optimal sliding.

The roller consists of pendulum-mounted infeed and outfeed rollers. The link pressure bar is standard. In conjunction with the rubber rollers, there is material balance up to 3 mm for planing many bars next to each other.

The machine has been planed already in the factory.

- Motor power 7.5 kW / 10 HP
- Planing width 630 mm
- Planing height 3 -300 mm
- Table adjustment electrically by position control easy drive

Adjustable guide rollers

Option

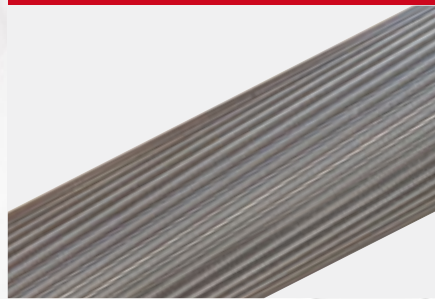


2 rollers with fine adjustment incl. ribbed steel infeed and rubber outfeed roller

recommended for planing wet or sticky timbers

Steel feed roller

Option



instead of the standard rubber infeed roller, recommended for planing rough and sticky timber

Sectioned infeed roller

Option



for thickness compensation of approx. 3 mm, for planing several adjoining bars

Tersa-knife shaft

Option



with 4 reversible knives for low-noise operation and quick tool change

Spiral cutter head

Option



with 6 spiral-shaped rows of blade and HM reversible blades for pulling cut and enormous noise reduction

Thickness table extension

Option



with automatic height adjustment

Dimension 1000 x 630 mm, Optional: 2000 x 630 mm

Positioning control

Option



with direct measurement input for the planing height

334|10 335|10 336|10 + 436|10



Figure shows options



The perfect duo

Two machines with extraordinary performances, with minimal space requirements for an optimal work flow.

Both planing machines can be used without limitation as a combination or independently from each other.

The suction hood, \varnothing 160 mm, of the thickness planer can be mounted to the left or right.

• Space requirement max.

2990 x 1950 mm

546|10 Combined surface and thickness planing machine



Two work steps - one machine.

The combined planing machine is designed so that planing and thickness planing are done efficiently with less effort.

There is no need for extensive conversion measures at the machine when changing the individual work steps. The dual mode is possible for both processes without additional settings.

Simple setting of exact values is sufficient to achieve the desired result.

In dual position (planing stop at 315 mm), the machine can be used in planing as well as in thickness planing mode up to 315 mm planing width without any intervention.

- | | |
|---|---|
| • Motor power | 7.5kW / 10 HP |
| • Planing width | 630 mm |
| • Total table length | 2555 mm |
| • Take-off surface planing machine | up to 5 mm |
| • Cut depth adjustment | by motoric adjustment |
| • Height adjustm. thickness planing machine | 3 - 250 mm, electrically with position control easy drive |

Quick adaption - surface planing-mode



The table element is used in the planing table for a complete support for surface planes bigger than 315 mm up to 630 mm width

Quick adaption - thickness planing-mode



In thickness planing mode, the table element of the planing table is in the lower position as infeed extension of the thickness table

Table adjustment surface planing function



electrical adjustment by push button, with LED-display, exactness 0.1 mm

Table adjustment thickness planing function



Position control easy drive for easy and precise adjustment of planing height from 3 to 250 mm

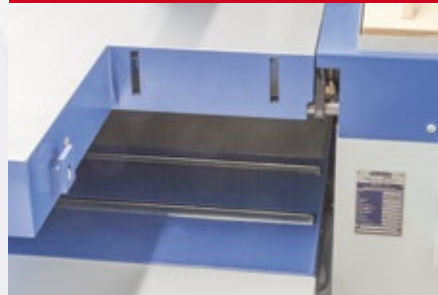
Finely planed work tables



Surface and thickness planing tables are finely planed for optimum sliding properties

Connectible feeding

Option



The connectible feeding ensures that small parts starting from approx. 320 mm can be moved out of the machine.

Tersa-knife shaft

Option



with 4 reversible knives for low-noise operation and quick tool change

Spiral cutter head

Option



with 6 spiral-shaped rows of blade and HM reversible blades for pulling cut and enormous noise reduction

Adjustable guide rollers

Option

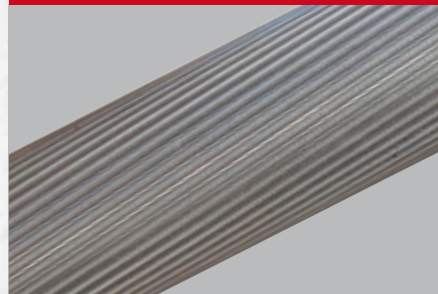


2 rollers with fine adjustment incl. ribbed steel infeed and rubber outfeed roller

recommended for planing wet or sticky timbers

Steel infeed roller

Option



instead of the standard rubber infeed roller, recommended for planing rough and sticky timber

Sectioned infeed roller

Option



for thickness compensation of approx. 3 mm, for planing several adjoining bars

Positioning control

Option



with direct measurement input via keypad

TX-matic protecting device

Option



with two-piece cover with spring-mounted surface pressure, which can be folded-down

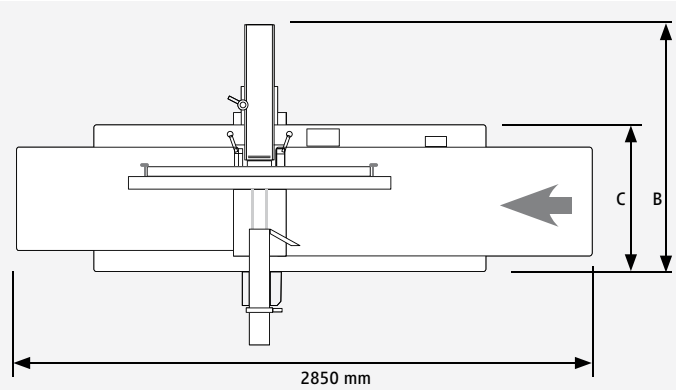
Thickness table extension

Option



with automatic height adjustment, dimension 1000 x 630 mm

334|10 335|10 336|10 Surface planing machine



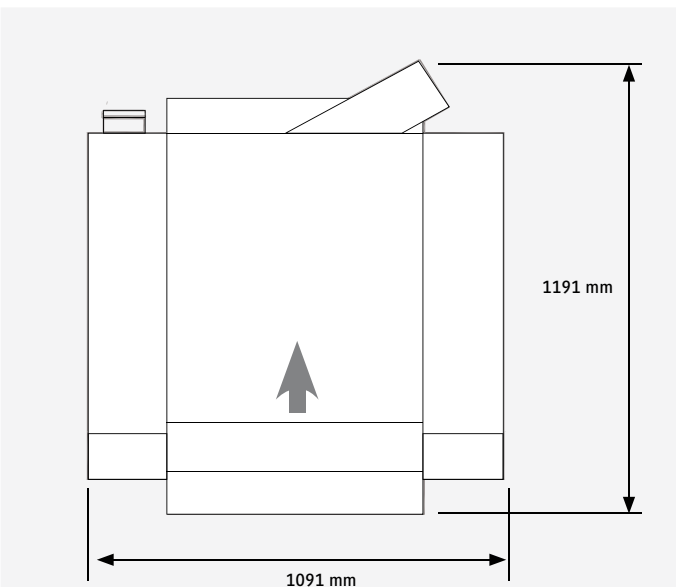
- Planing width 410 / 510 / 630 mm
- Infeed table 1620 mm
- Outfeed table 1170 mm
- Main motor 5.5 kW / 7.5 HP
- Voltage 400 V / 50 Hz
- Suction hood 160 mm
- Knife shaft speed 5000 rpm
- Weight 870 / 1050 / 1400 kg

- Electrical adjustment of the infeed table by pressing a button
- Electronic digital display of the planing depth
- PANHANS four-knife shaft with 4 planer knives and brass settings devices
- Fence tiltable to 45° in extremely smooth-running steel guide
- Anodised fence
- Tiltable auxiliary fence model 1545
- Finely planed cast iron tables
- Hollow and tapered jointing adjustment on the outfeed table
- Toothed table lips for noise reduction
- Bracket for feeder
- Bridge protection TXF model 1570 with two pieces cover
- Automatic motor brake
- Automatic star-delta start
- Motor protection switch

B (total depth) **C** (depth machine frame)

• 334 10	1320 mm	635 mm
• 335 10	1420 mm	735 mm
• 336 10	1540 mm	855 mm
• Length all models		2850 mm
• Height all models		900/860 mm

436|10 Thickness planing machine



- Planing width 630 mm
- Planing height 3 - 300 mm
- Table length 1100 mm
- Main motor 7.5 kW / 10 HP
- Feed motor 0.55/0.75 kW / 0.8/1.0 HP
- Feed 7 + 14 m/min
- Suction hood 160 mm
- Weight 1050 kg

- Ergonomic machine dimensions
- PANHANS four-knife shaft with 4 planing knives and brass setting devices
- Oscillating mounted feed rollers
- Segmented rubber infeed and rubber outfeed roller \varnothing 90 mm
- 2 feed speeds through pole-changing feed motor
- Segmented pressure beam
- Thickness table without table rollers
- Thickness table on 4 trapezoid spindles
- Electrical height adjustment of the thickness table
- Position control easy drive
- Automatic motor brake
- Automatic star-delta start
- Suction hood 160 mm usable to the left or right

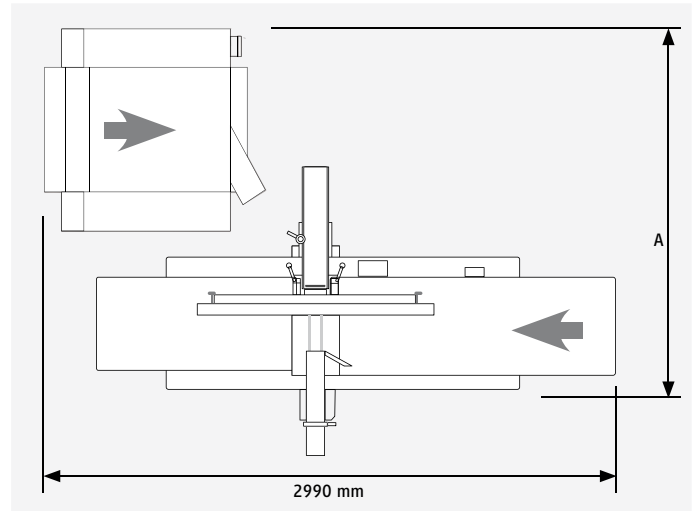
• Height 1114 mm

Combination of planing machines

334|10 335|10 336|10 + 436|10

	A (Total depth)
• 334 10 + 436 10	1850 mm
• 335 10 + 436 10	1950 mm
• 336 10 + 436 10	2070 mm
• Total length all models	2990 mm

See basic data of the single machines on page 14.



Combined surface and thickness planing machine

546|10

• Planing width	630 mm
• Planing height	3 - 250 mm
• Table length surface planing m.	2555 mm
• Table length thickness planing m.	1100 + 400 mm
• Take-off max. surface plan. m.	5 mm
• Take-off max. thickness plan. m.	8 mm
• Knife shaft speed	5000 rpm
• Main motor	7.5 kW / 10 HP
• Feed motor	0.55 kW / 0.75 kW
	0.8 HP / 1.0 HP
• Feed	7 + 14 m/min
• Suction hood	2 x 160 mm ø
• Machine weight	1210 kg
• Voltage	400 V / 50 Hz

- Ergonomic machine dimensions
- Finely planed tables
- PANHANS four-knife shaft with 4 planing knives and brass setting devices
- Pushbutton switch with electronic soft start
- Wear-free electronic motor brake
- 2 suction hoods, 160 mm ø

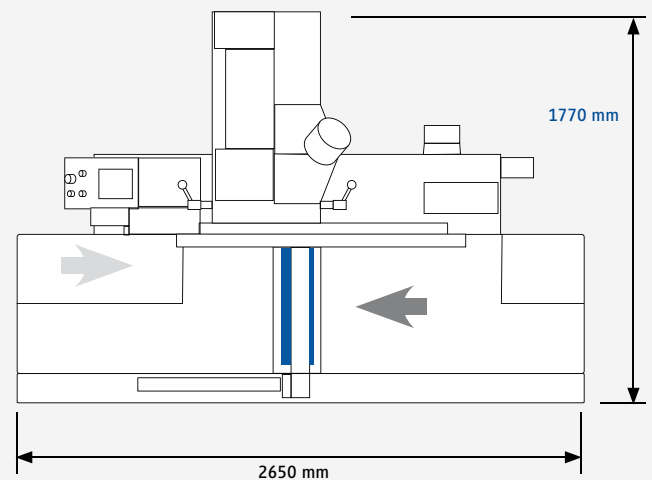
Surface planing machine

- Electro-motoric adjustment of infeed table by pressing a button
- Bridge protection TXF 1570 with fold-away cover

Thickness planing machine

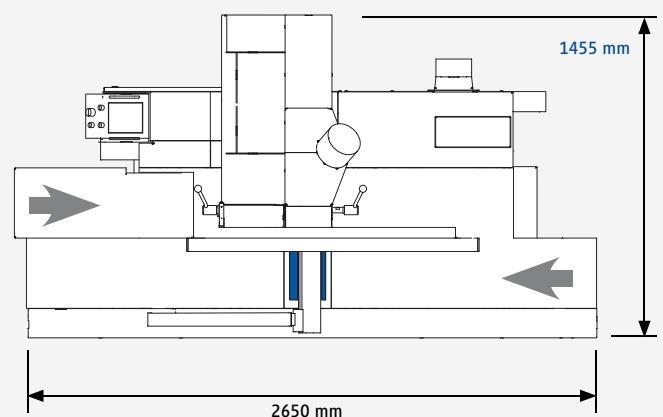
- Oscillating mounted feed rollers
- Segmented rubber infeed roller
- 2 segmented rubber outfeed rollers
- 2 feed speeds through pole-changing feed motor
- Segmented pressure beam
- Thickness table without table rollers
- Highly ripped thickness table non-tilting on 4 trapezoid spindles
- Electronic height adjustment of thickness table
- Positioning control easy drive

Dimensions in **planing position** 630 mm planing width



- Total space requirement 2650 x 1770 mm
- Height 912 mm

dimensions in **dual position** 315 mm planing width



- Total space requirement 2650 x 1455 mm
- Height 912 mm

Proven technology for secure and economic working



Drilling

Sawing

Shaping

Planing

SI-TEC

Service

HOKUBEMA

HOKUBEMA
Maschinenbau GmbH

Anton-Günther-Straße 3 - 7
D-72488 Sigmaringen

Telefon +49 (0)7571 755-0
Fax +49 (0)7571 755-222

www.hokubema-panhans.de
info@hokubema-panhans.de