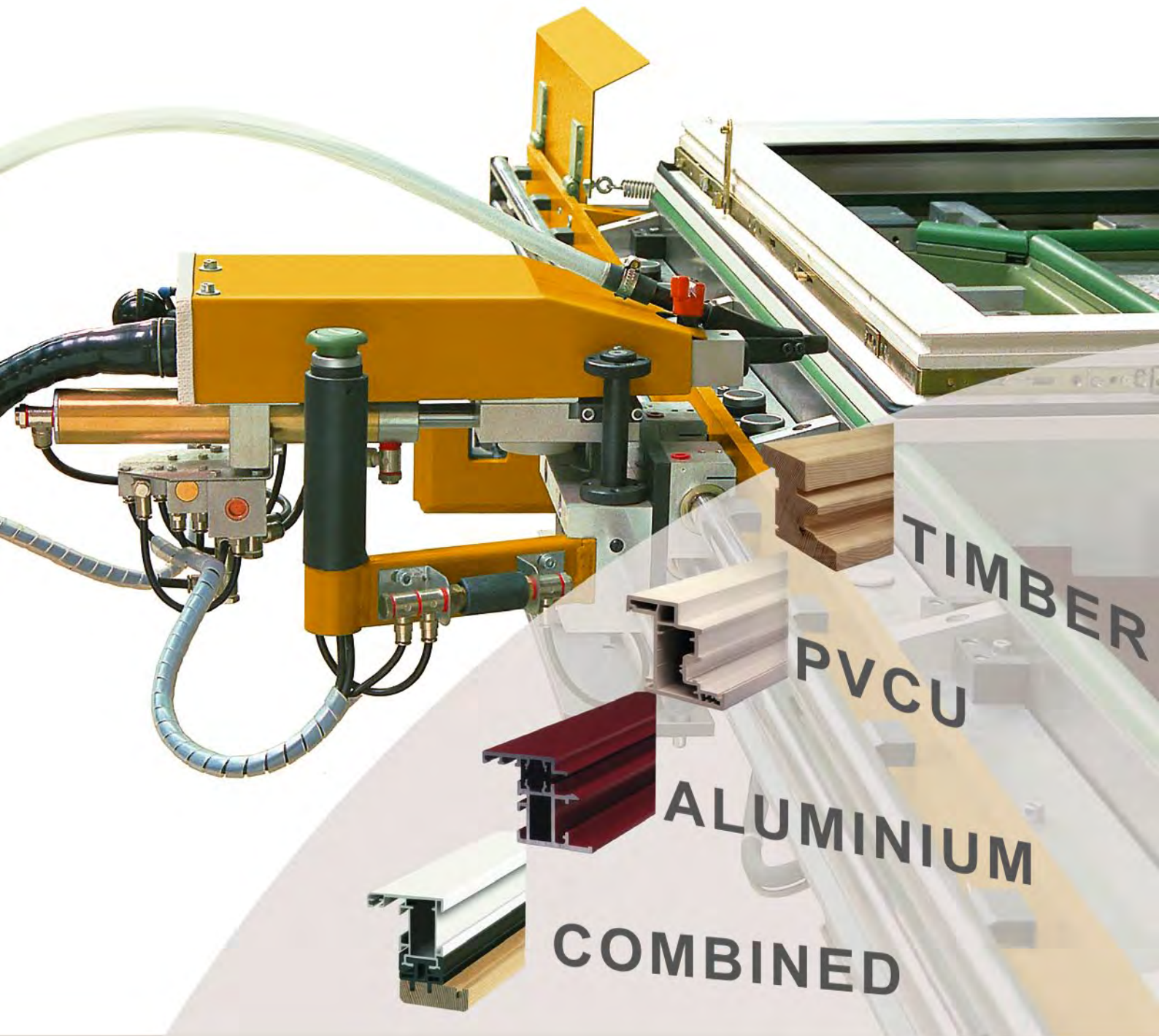


# federhenn

AFS Federhenn Maschinen GmbH



## PRODUCT CATALOGUE

Working with all different materials for windows: Timber - PVCU - Aluminium - and combinations of materials

## Directory

### Storage Techniques

raw material rack - single side, for full lengths.....	3
raw material rack - double side, for full lengths.....	3
moving system for material rack - double side.....	3
and profile cassettes	
moving system for material rack - double side.....	3
and profile cassettes	
moving system for profile cassettes on rails.....	3
moving system for profile cassettes on rails.....	3
moving trolley set for profile cassettes, mobile.....	3
overhead rack for steel reinforcing.....	3
cut to fixed lengths	
vertical rack.....	3
vertical rack with bottom rollers.....	3
vertical rack with diagonal spacers.....	3
vertical rack with slots at an angle of 7°.....	3
storage carousel.....	4
vertical rack with diagonal spacers -.....	4
for automatic loading	
vertical rack - for automatic loading.....	4

### Lifting Techniques

pivoting crane, wall mounted, type LW.....	4
pivoting crane, column mounted, type LS.....	4
pivoting crane, column mounted, type LSX.....	4
two-rail-crane, mounted on pillars.....	4
window transport device for crane systems.....	4
vacuum lifting and transport device (manual).....	4
vacuum lifting device (with pneumatically.....	4
powered vacuum pump)	
vacuum lifting device, with pneumatically.....	4
powered lifting cylinder and vacuum pump	

### Transport Equipment

cut profile trolley - horizontal.....	5
with adjustable support arms	
cut profile trolley - horizontal.....	5
with fixed support arms	
trolley for raw material in full lengths.....	5
pigeon hole trolley for cut lengths.....	5
trolley for pre cut reinforcing steel with 6, 24 or 48 slots.....	5
trolley for pre cut reinforcing steel with 24 or 48 slots.....	5
cut profile trolley with 48 pipes.....	5
universal spaced trolley.....	5
double side spaced trolley for beads.....	5
cut profile trolley vertical.....	5
cut profile trolley vertical (long version).....	5
window transport trolley.....	5
window transport trolley, suitable to be.....	6
lifted by crane or fork lift	
window transport trolley.....	6
window transport trolley, suitable to be.....	6
lifted by crane or fork lift	
window transport trolley, suitable to be.....	6
lifted by crane or fork lift, strong version	
spaced trolley for sashes and frames.....	6
with diagonal spacers	
spaced trolley for sashes and frames.....	6
with comb formed spacers	
spaced window transport trolley, with comb formed.....	6
spacers and bottom rollers	
spaced window transport trolley, with vertical.....	6
spacers and bottom rollers	
transport stand for large elements.....	6
spaced glass trolley (standard).....	6
spaced glass trolley for lifting unit.....	6
lifting unit for glass panes in spaced glass trolley.....	6
trolley for pre cut reinforcing steel, single side.....	7
trolley for pre cut reinforcing steel, single side.....	7
vertical conveyor (standard).....	7
vertical conveyor, movable on rails.....	7

vertical conveyor, movable on rails.....	7
with 360°-turning device	
vertical conveyor, independent movable on rollers.....	7
lifting device to feed heavy windows onto transport.....	7
trolleys (standard version)	
lifting device to feed heavy windows onto transport.....	7
trolleys (extended version)	
step-by-step filling unit for spaced window trolleys.....	7
type 32.21V001, PLC-controlled	
spaced window trolley operated by step-by-step.....	7
filling unit	
turnover and distribution conveyor on rail, with or.....	7
without 360°-turning device	
turning facility 360°.....	7
vertical conveyor as pivot and turn station.....	8
two slot trolley for doors.....	8
cut profile trolley, double side.....	8
toast rack trolley with diagonal spacers.....	8
for automatic loading	
toast rack trolley with vertical spacers.....	8
for automatic loading	
guiding syst. for automatic trolley transport in I-Form.....	8
guiding syst. for automatic trolley transport in L-Form.....	8
guiding syst. for automatic trolley transport in U-Form.....	8

### Assembly Devices

sliding work table (standard).....	9
sliding work table (with diagonal riders).....	9
sliding work table (with 45°-passage).....	9
horizontal work table -extendable-.....	9
sliding work table (with integr. lift and turn table).....	9
horiz. roller-table (with or without lifting device).....	9
universal work table.....	9
profile gluing and assembling device with.....	9
360° revolving stick-clamps	
horizontal roller-table (with cylinders).....	9
horizontal roller-table (with cylinders and.....	9
integrated vacuum lifting device)	
assembly turn table.....	9
assembly turn table with pneumatic lifting device.....	9
assembly tilt- turn- lift table.....	10
assembly tilt table extendable-.....	10
assembly tilt table -standard-.....	10
assembly tilt table -recessed on both sides-.....	10
assembly tilt table with adjustable and.....	10
extendable cross bars	
assembly tilt table with adjustable and extendable.....	10
cross bars, with integration in vertical conveyor	
assembly tilt table for mounting of shutter boxes.....	10
assembly tilt table with retractable clamping.....	10
bars for horizontal and vertical glazing	
sash / frame coupling device with.....	10
liftable roller bridge	
automatic transfer table with automatic in- / out-feed.....	10
(with combined rolling- / pushing- unit,	
changed feeding direction 90°)	
automatic transfer table with automatic in- / out-feed.....	10
(with one pulling and one pushing- unit,	
changed feeding direction 90°)	
automatic transfer table with automatic in- / out-feed.....	10
(with one pushing-unit, feeding direction in line)	
sash mounting station FM 2500/3000.....	11
sash mounting station FM 2501/3001.....	11
sash mounting station FM 2502/3002.....	11
sash mounting station FM 3002.....	11
with hardware shelf	
sash mounting station FM 2512/3012.....	11
with PLC controlled sequence	
sash mounting station FM 3003.....	11
with triple drill unit	
sash mounting station FM 3015 AL-PC.....	11
with automatic punching unit	

sash assembly automatic FAA S2.....	11
sash assembly automatic FAA S3.....	11
sash assembly automatic FAA S4.....	11
bead cutting table FM 3004.....	11
frame assembly station RM 3000/4000.....	11
vertical mounting station.....	12
vertical mounting station with clamping devices.....	12
manually adjustable	
vertical mounting and assembly station.....	12
vertical mounting and assembly station with extended.....	12
lifting travel from -1000 mm to +1000 mm	
assembly and check station.....	12
glazing and sealing station.....	12
glazing and sealing station.....	12
with integrated turning device	
glazing station VS 4000.....	12
with swivelling press bar	
glazing station VS-2KP 4000.....	12
with retractable press bars	
control and glazing press AUTOMATIC.....	12
with retractable press bars	
control and glazing press AUTOMATIC.....	12
with extended travel from -1000 mm to +1000 mm	
90°-window turning station.....	12
with hydraulically powered turning unit	

### Workstation Equipment

overhead turning arm for hand tool- and.....	13
fitting rack, mounted onto column	
single rail overhead holder for hand tool- and.....	13
fitting rack	
double rail overhead holder for hand tool- and.....	13
fitting rack	
hand tool- and fitting rack for all overhead holders.....	13
reel stand - movable.....	13
reel stand for 4 off gasket reels.....	13
reel stand -horizontal-.....	13
reel stand for all overhead holders.....	13
hardware shelf above sash mounting table.....	13
suitable for inline material flow	
hardware shelf above sash mounting table.....	13
double-T-stand	
working station for bar assembly.....	13
working-station for assembly of sash hardware.....	13
on bar	
weather bar assembly station.....	13

### Measuring and Length Stops

hand-wheel length stop.....	14
with electronic digital display	
single axis length stop, PC-controlled.....	14
double axis length stop, PC-controlled.....	14
standard measuring stick.....	14
with data transmission cable	
standard telescope measuring stick.....	14
with memory module	
telescope measuring stick with wireless data.....	14
transmission and key board	
telescope measuring stick.....	14
with wireless data transmission	

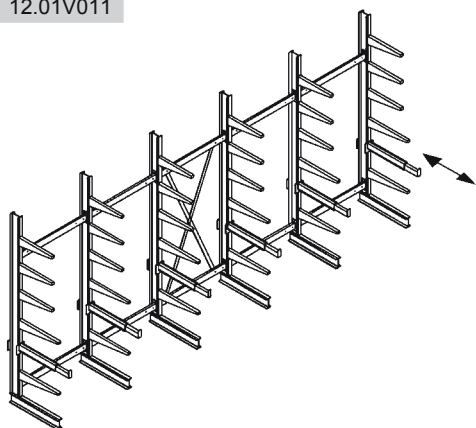
### Machines

reinforcement screwing and drilling station.....	15
drilling station for mechanical transom connection.....	15
holes, pair wise operations at frame profiles	
reinforcement screwing station with machine stand.....	15
lock keep fitting station.....	15
autom reinforcement screwing machine DAS 1600.....	15
fully automatic screwing machine for nipple screws.....	15
automatic longitudinal saw for sash overlap.....	15
-vertical	
automatic longitudinal saw for sash overlap.....	15
-horizontal	
fully automatic cutting machine ZA 550.....	15
fully automatic steel cutting machine SZA 350.....	15
for optimized cutting sequence of reinforcement	
in PVCU window production	
fully automatic machining centre SBZ 100 G.....	15



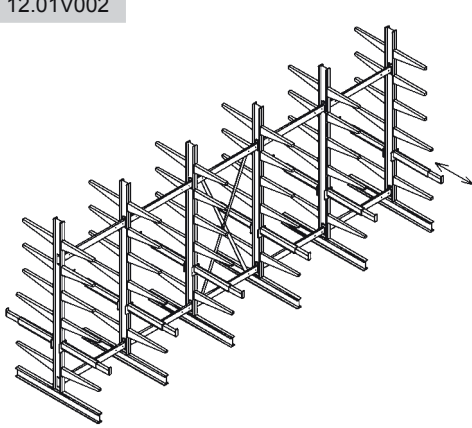
## Storage Techniques

12.01V011



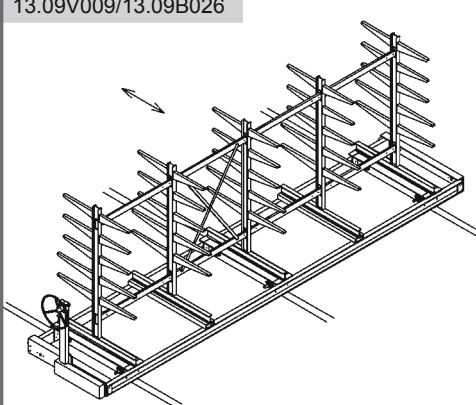
raw material rack - single side, for full lengths

12.01V002



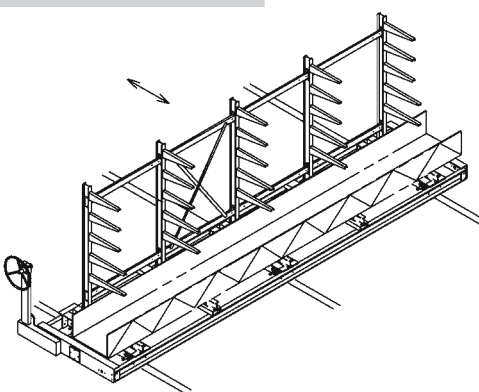
raw material rack - double side, for full lengths

13.09V009/13.09B026



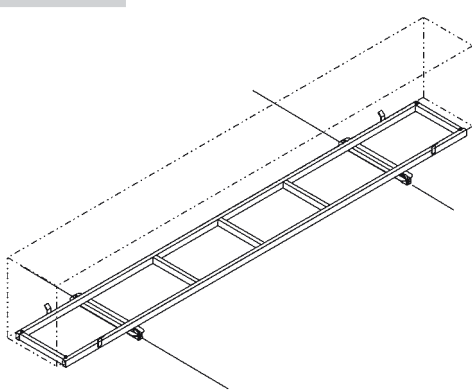
moving system for material rack - double side and profile cassettes

13.09V009/13.09B025



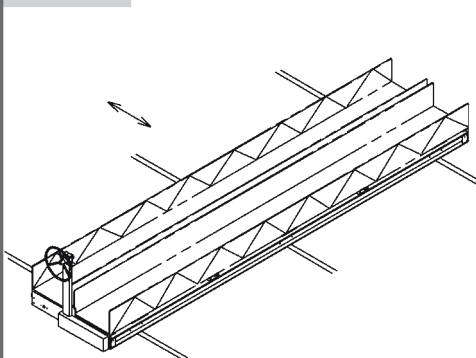
moving system for material rack - double side and profile cassette

13.14V001



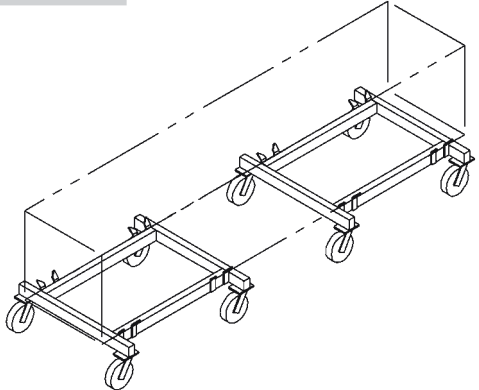
moving system for profile cassettes on rail

13.09V009



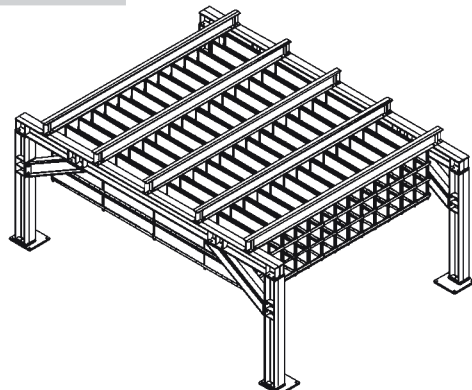
moving system for profile cassettes on rail

13.16V001



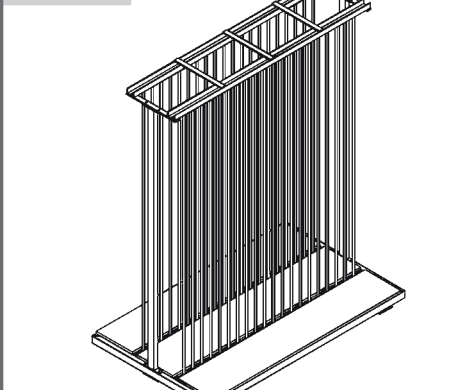
moving trolle set for cassettes, mobile

12.13V003



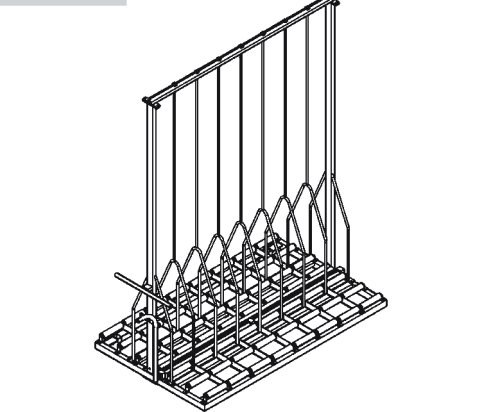
overhead rack for steel reinforcing, cut to fixed lengths

14.20V001



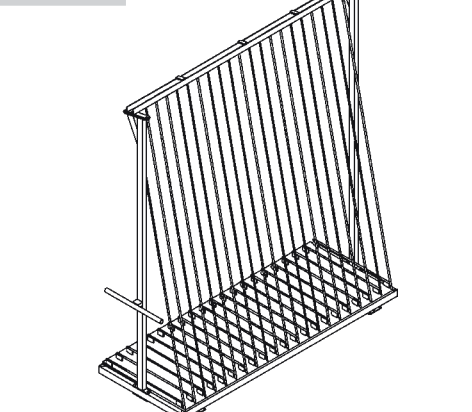
vertical rack

14.20V031



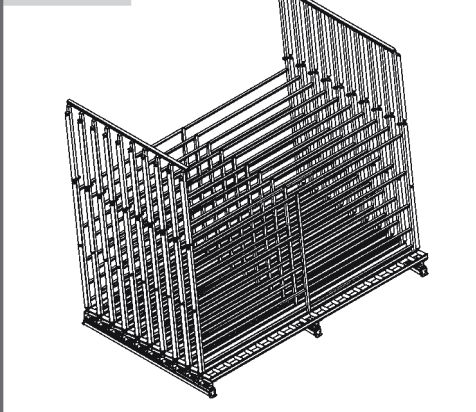
vertical rack with bottom rollers

14.20V032



vertical rack with diagonal spacers

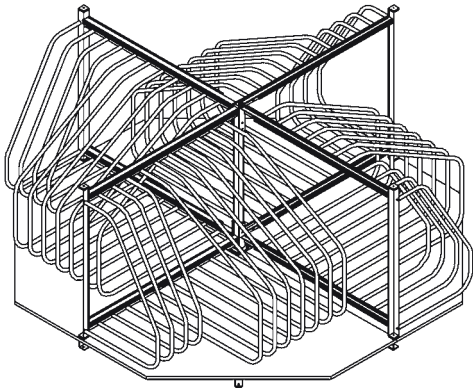
13.15V016



vertical rack with slots at an angle of 7°

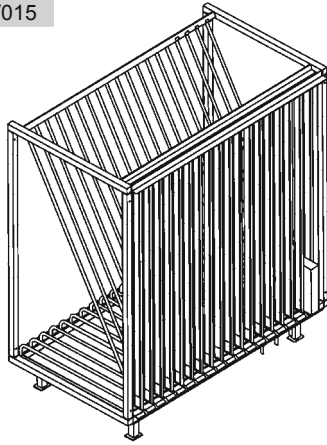
## Storage Techniques

15.03V004



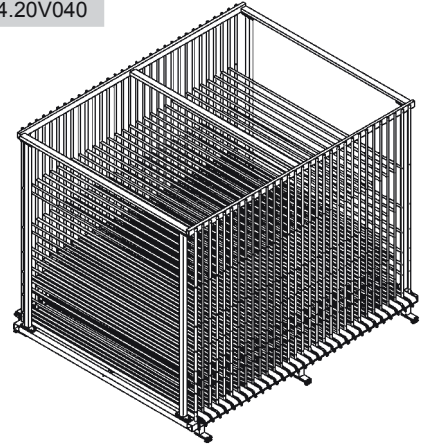
storage carousel

14.20V015



vertical rack with diagonal spacers - for automatic lading

14.20V040

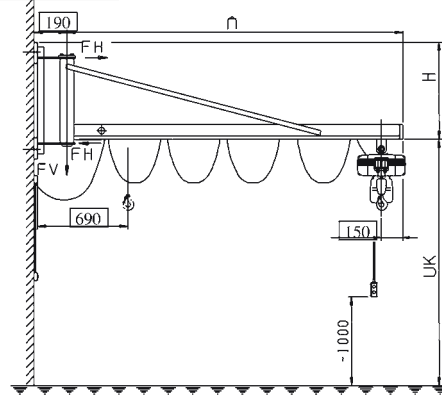


vertical rack - for automatic loading

## Lifting Techniques

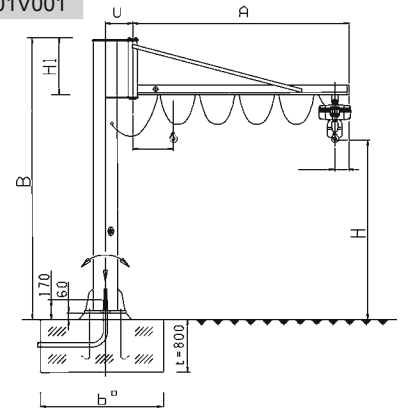
federhenn  
AFS Federhenn Maschinen GmbH

21.02V001



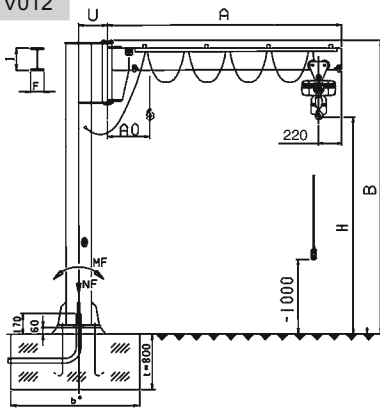
pivoting crane, wall mounted, type LW

21.01V001



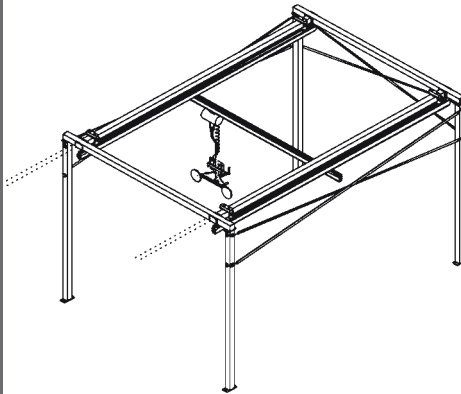
pivoting crane, column mounted, type LS

21.01V012



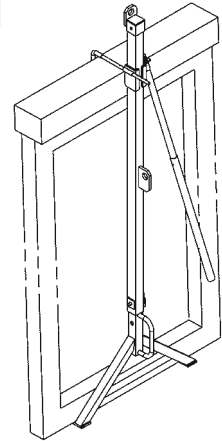
pivoting crane, column mounted, type LSX

22.03V011



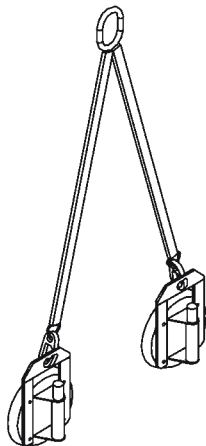
two-rail-crane, mounted on pillars

26.03V001



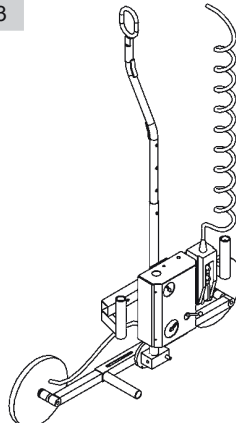
window transport device for crane systems

26.03V002



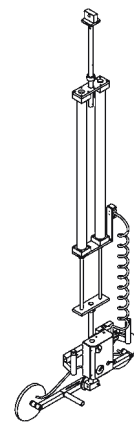
vacuum lifting and transport device (manual)

26.03V003



vacuum lifting device (with pneumatically powered vacuum pump)

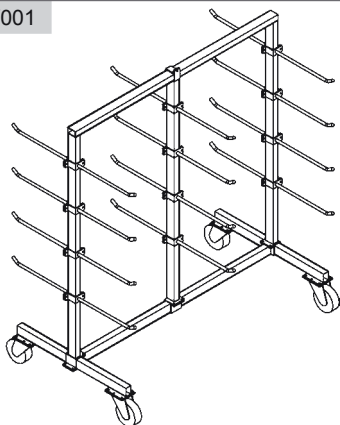
26.03V006



vacuum lifting device, with pneumatically powered lifting cylinder and vacuum pump

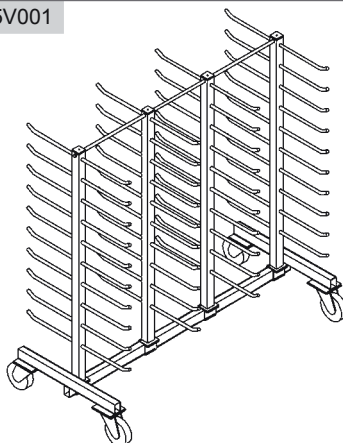
## Transport Equipment

31.03V001



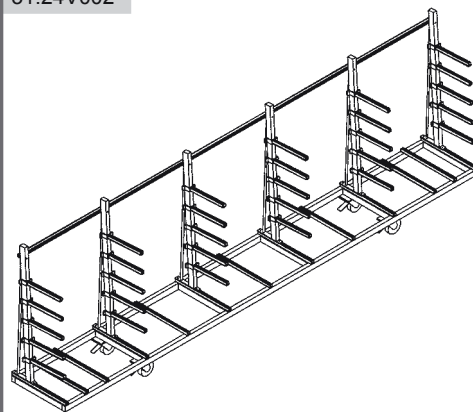
cut profile trolley - horizontal,  
with adjustable support arms

31.05V001



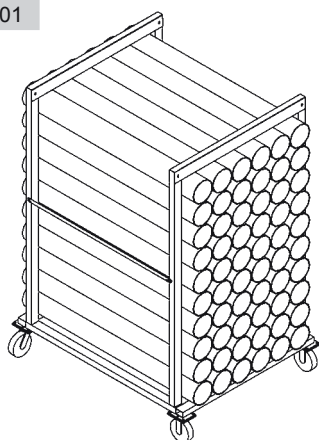
cut profile trolley - horizontal, with fixed support arms

31.24V002



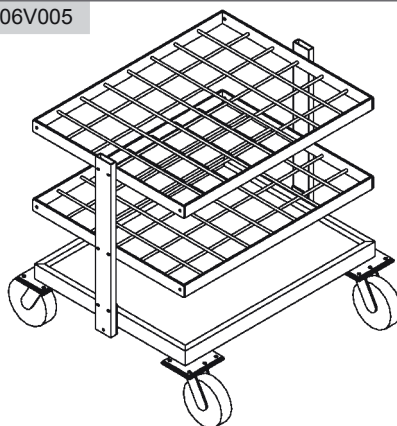
trolley for raw material in full lengths

31.26V001



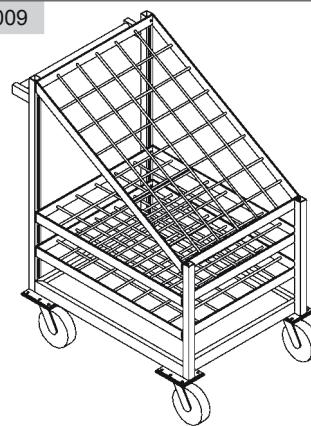
pigeon hole trolley for cut lengths

31.06V005



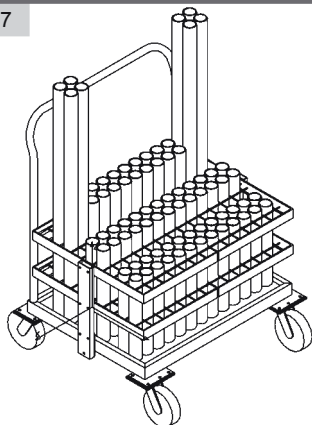
trolley for pre cut reinforcing steel  
with 6, 24 or 48 slots

31.06V009



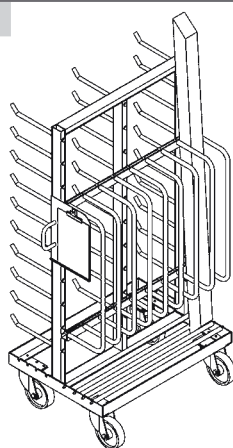
trolley for pre cut reinforcing steel  
with 24 or 48 slots

31.06V007



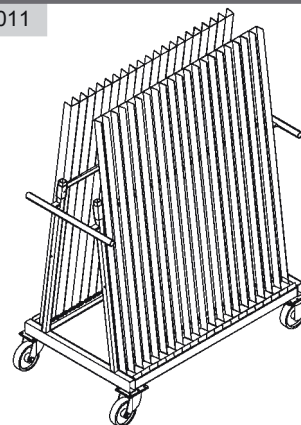
cut profile trolley  
with 48 pipes

32.02V014



universal spaced trolley

32.02V011



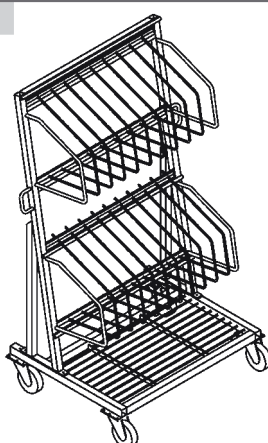
double side spaced  
trolley for beads

32.16V007



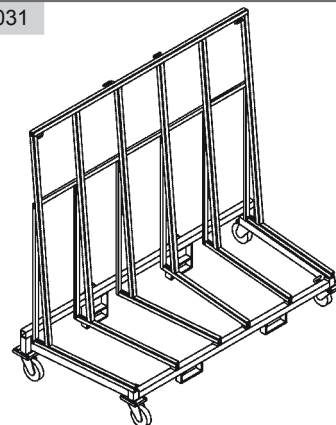
cut profile trolley vertical

32.43V005



cut profile trolley vertical (long version)

32.09V031

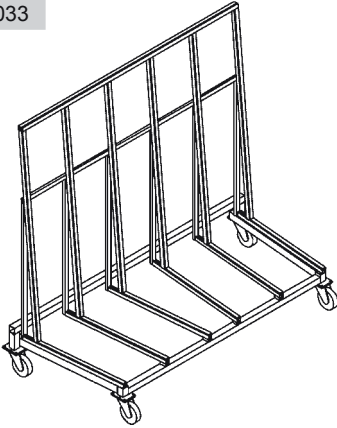


window transport trolley



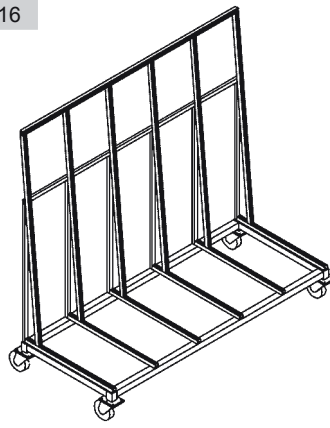
## Transport Equipment

32.09V033



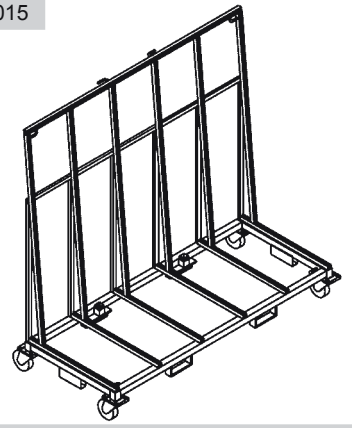
window transport trolley, suitable to be lifted by crane or fork lift

32.13V016



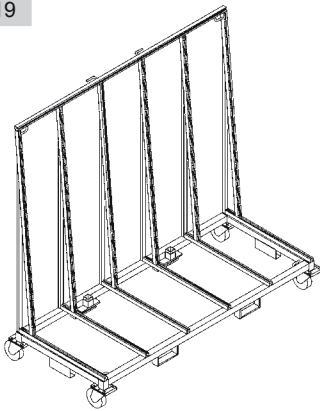
window transport trolley

32.13V015



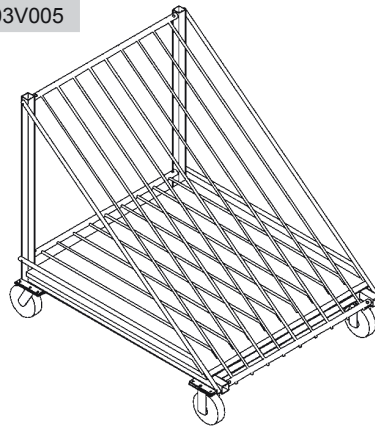
window transport trolley, suitable to be lifted by crane or fork lift

32.13V019



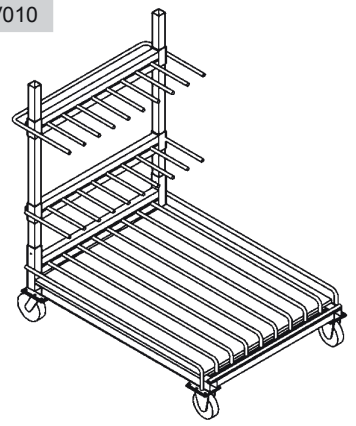
window transport trolley, suitable to be lifted by crane or fork lift, strong version

32.03V005



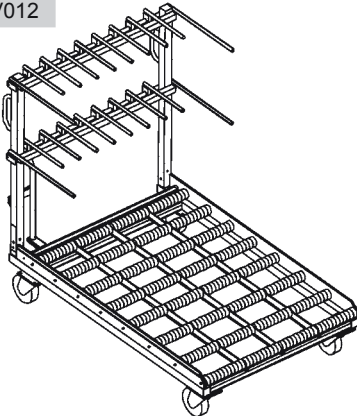
spaced trolley for sashes and frames, with diagonal spacers

32.32V010



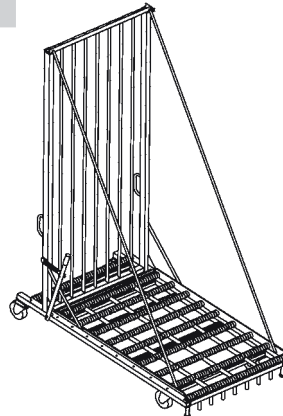
spaced trolley for sashes and frames, with comb formed spacers

32.20V012



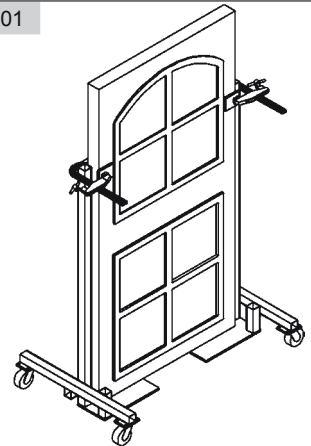
spaced window transport trolley, with comb formed spacers and bottom rollers

32.20V019



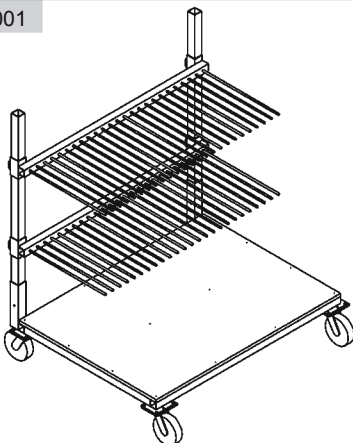
spaced window transport trolley, with vertical spacers and bottom rollers

32.38V001



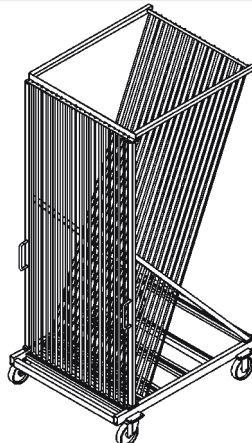
transport stand for large elements

32.32V001



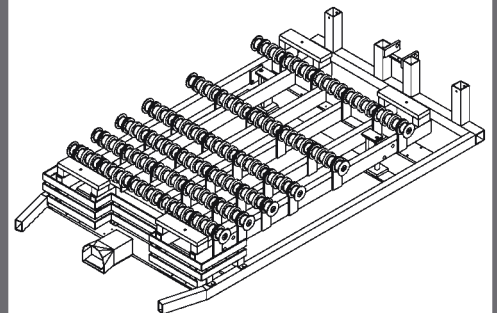
spaced glass trolley (standard)

35.34V008



spaced glass trolley for lifting unit

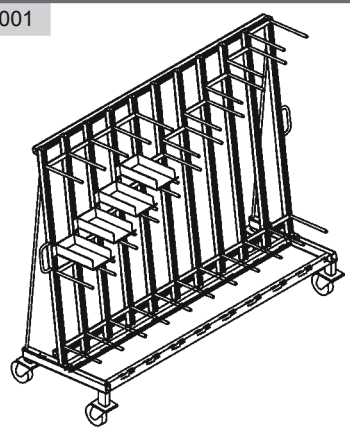
35.34V007



lifting unit for glass panes in spaced glass trolley

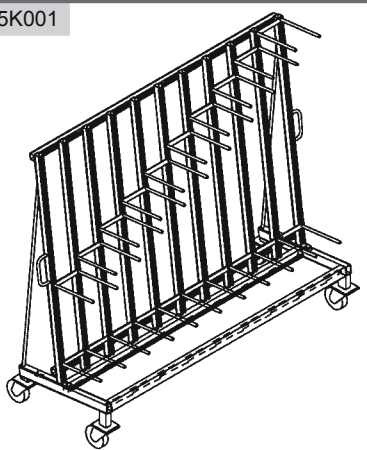
# Transport Equipment

32.45V001



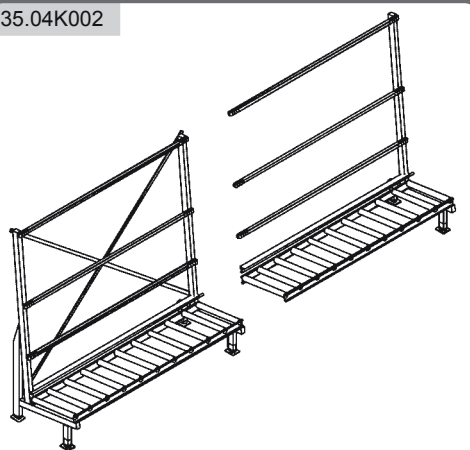
trolley for pre cut reinforcing steel, single side

32.45K001



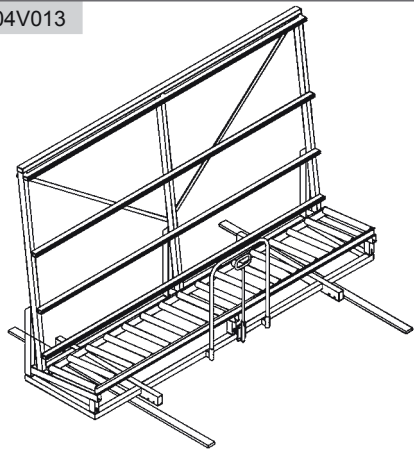
trolley for pre cut reinforcing steel, single side

35.04K002



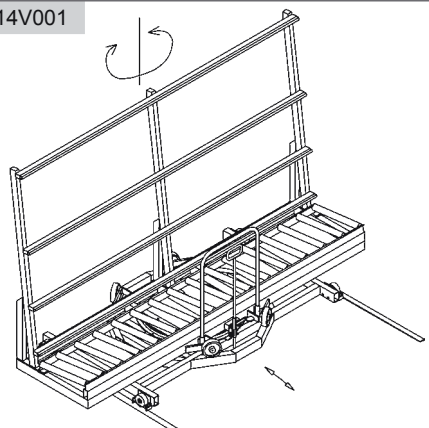
vertical conveyor (standard)

36.04V013



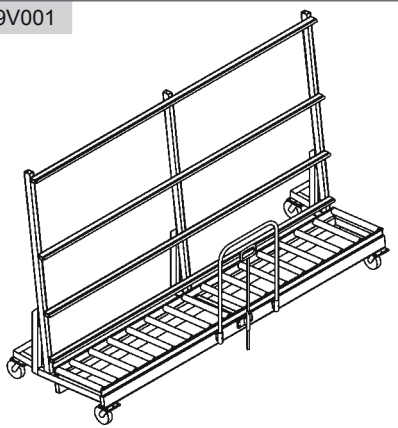
vertical conveyor, movable on rails

35.14V001



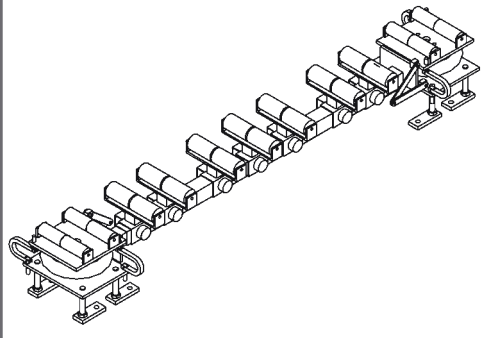
vertical conveyor, movable on rails, with 360°-turning device

35.19V001



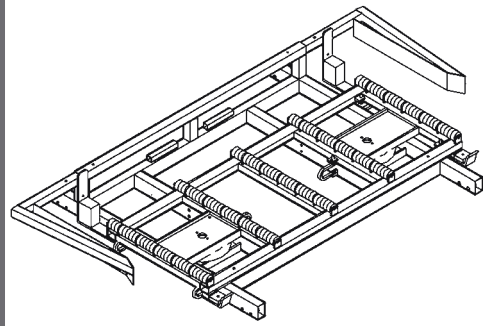
vertical conveyor, independent movable on rollers

35.33V001



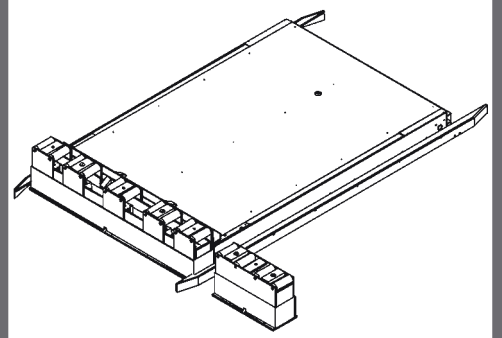
lifting device to feed heavy windows onto transport trolley (standard version)

35.34V001



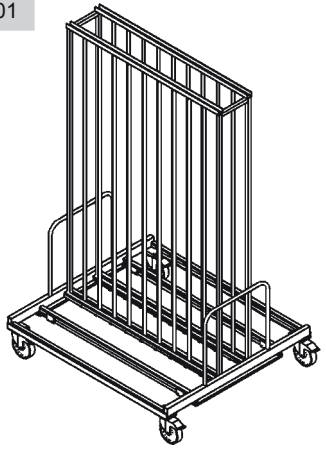
lifting device to feed heavy windows onto transport trolley (extended version)

35.70V007



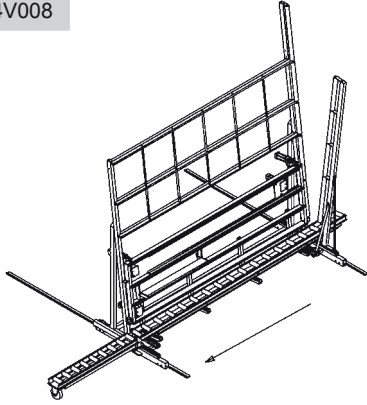
step-by-step filling unit for spaced window trolleys type 14.20V042, PLC-controlled spaced window trolley operated by step-by-step

32.21V001



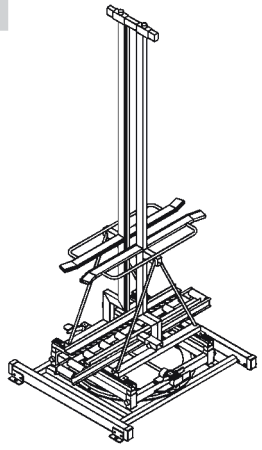
filling unit

36.04V008



turnover and distribution conveyor on rails, with or without 360°-turning device

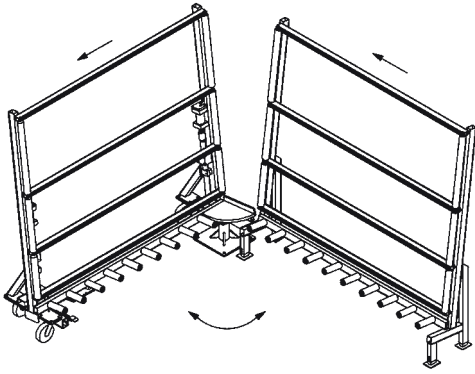
36.05V004



turning facility 360°

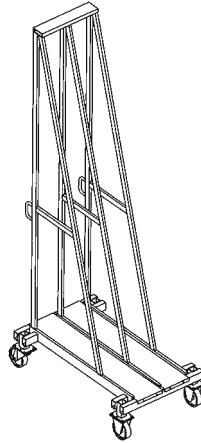
# Transport Equipment

36.07V001



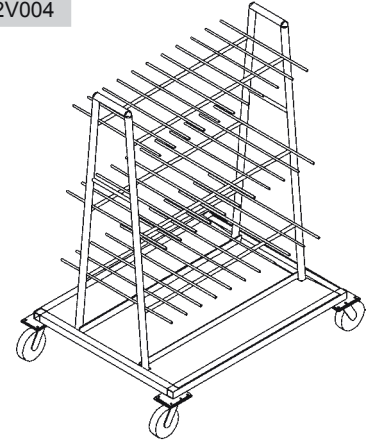
vertical conveyor as pivot and turn station

32.20V022



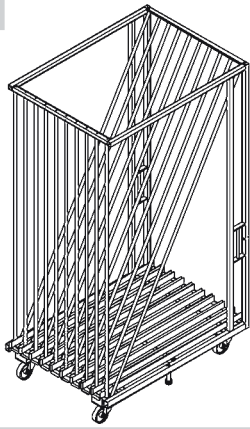
two slot trolley for doors

32.02V004



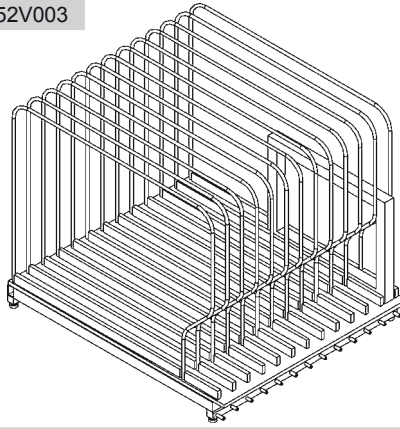
cut profile trolley, double side

38.20V018



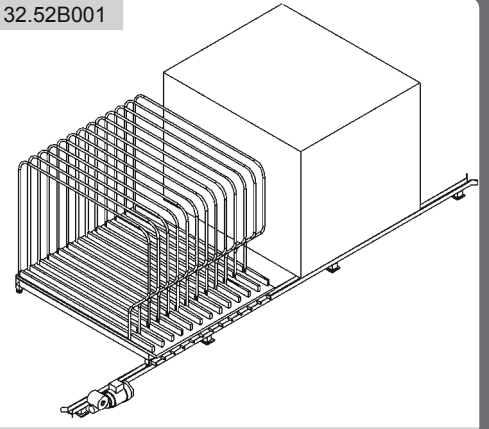
toast rack trolley with diagonal spacers, for automatic loading

32.52V003



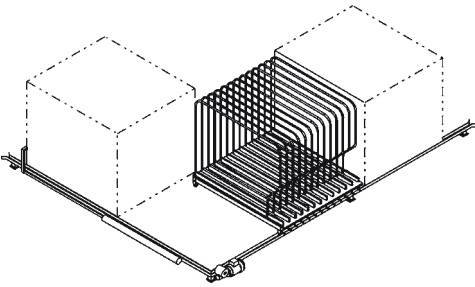
toast rack trolley with vertical spacers, for automatic loading

32.52B001



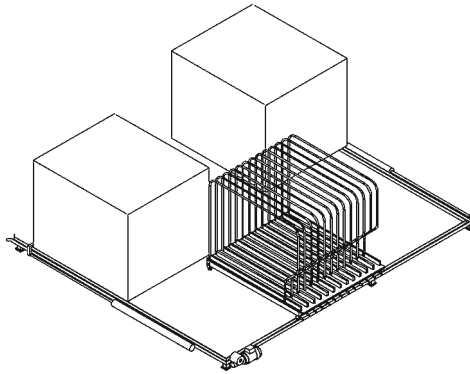
guiding syst. for automatic trolley transport in I-Form

32.52B002



guiding syst. for automatic trolley transport in L-Form

32.52B003

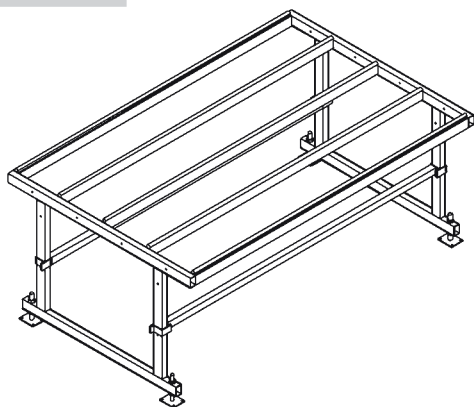


guiding syst. for automatic trolley transport in U-Form



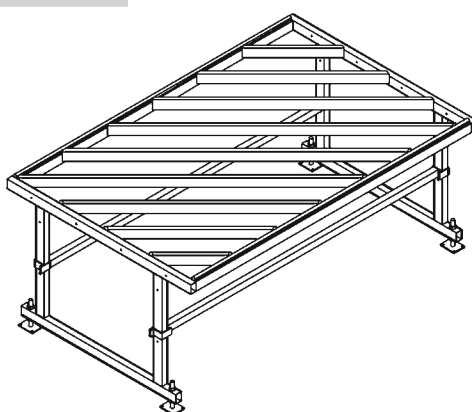
## Assembly Devices

41.52



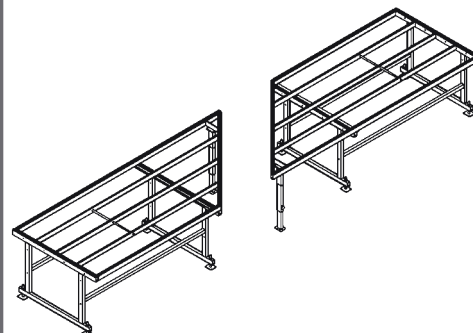
sliding work table (standard)

41.53



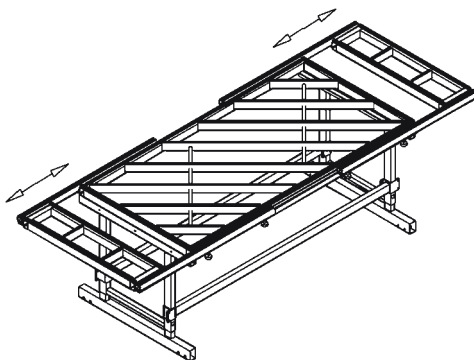
sliding work table (with diagonal ridges)

41.52V028



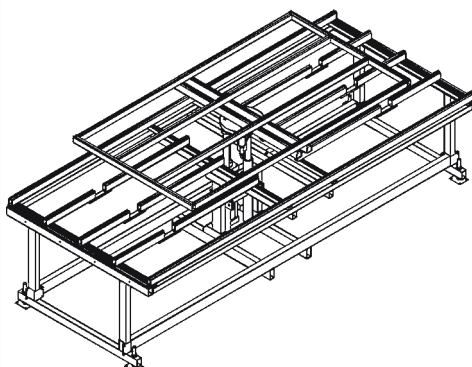
sliding work table (with 45°-passage)

41.58V006



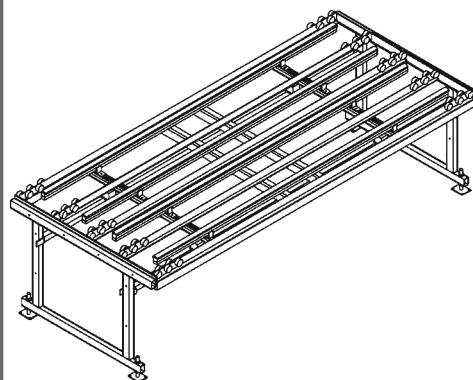
horizontal work table -extendable-

41.52V013

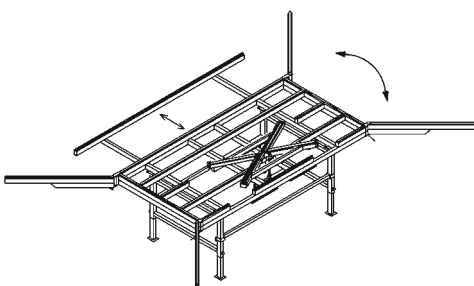


sliding work table (with integr. lift and turn table)

41.57

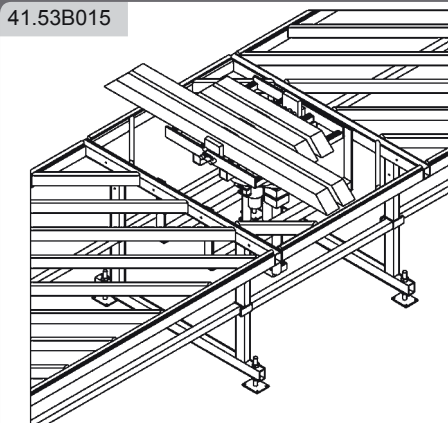
horizontal roller-table  
(with or without lifting device)

41.60V002

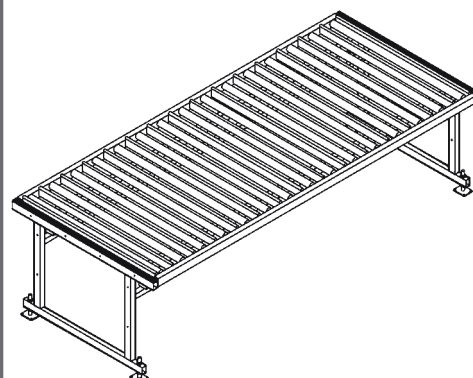


universal work table

41.53B015

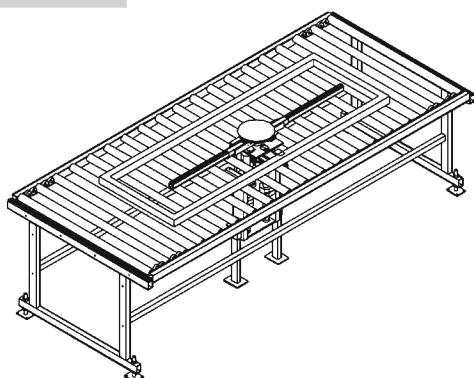
profile gluing and assembling device with  
360°-revolving stick-clamps

41.54V008

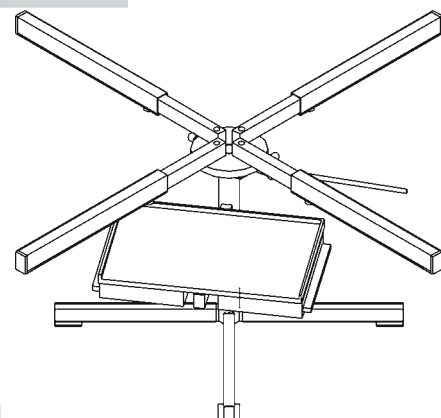


horizontal roller-table (with cylinders)

41.54V014

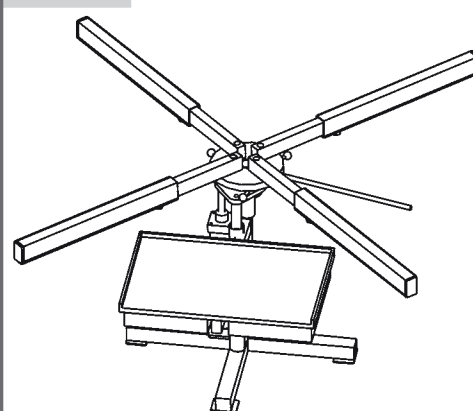
horizontal roller-table (with cylinders and  
integrated vacuum lifting device)

44.12V001



assembly turn table

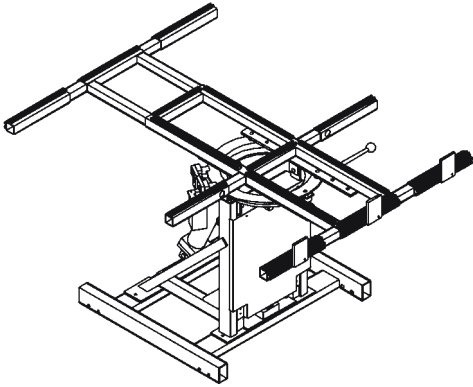
44.12V002



assembly turn table with pneumatic lifting device

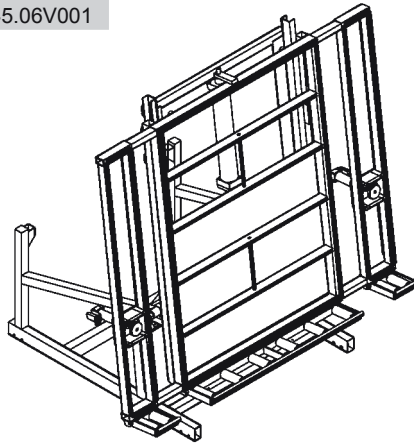
## Assembly Devices

45.02V004



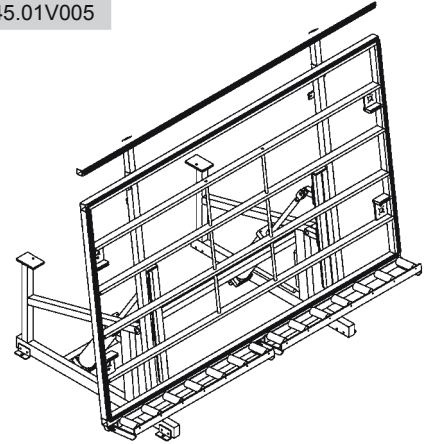
assembly tilt- turn- lift table

45.06V001



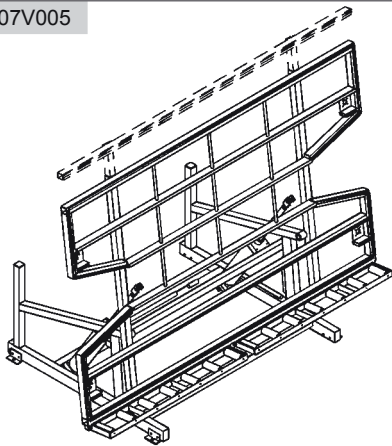
assembly tilt table -extendable-

45.01V005



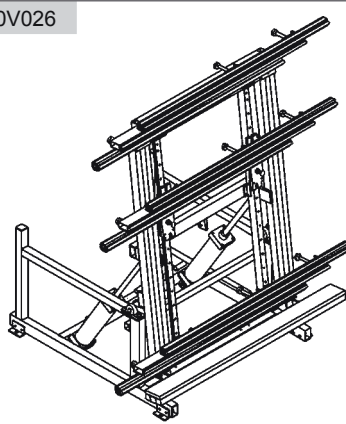
assembly tilt table -standard-

45.07V005



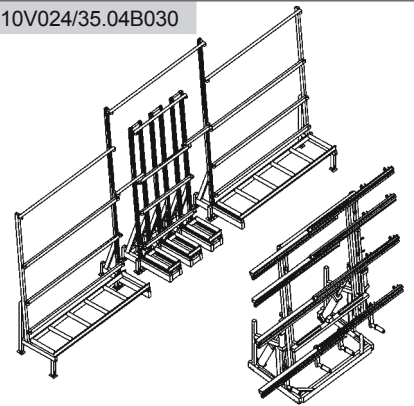
assembly tilt table -recessed on both sides-

45.10V026



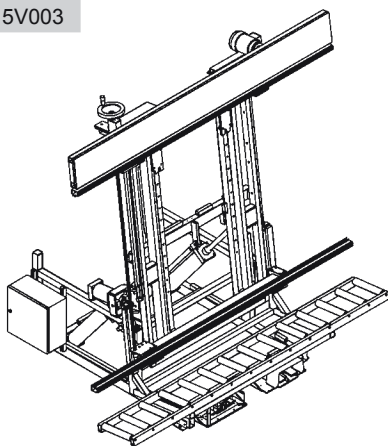
assembly tilt table with adjustable and extendable cross bars

45.10V024/35.04B030



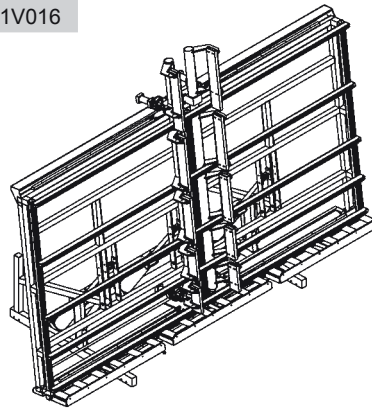
assembly tilt table with adjustable and extendable cross bars, with integration in vertical conveyor

45.15V003



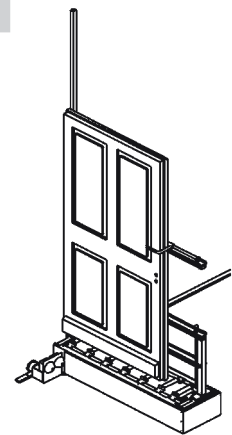
assembly tilt table for mounting of shutter boxes

45.11V016



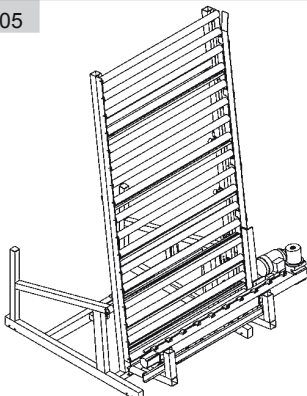
assembly tilt table with retractable clamping bars for horizontal and vertical glazing

45.59V002



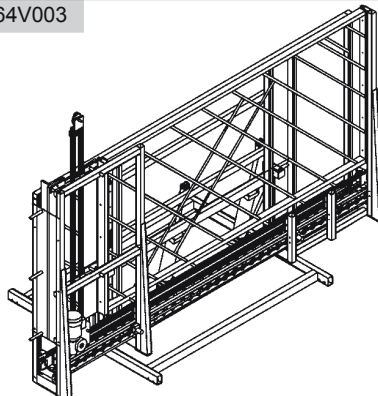
sash / frame coupling device with liftable roller bridge

45.62V005



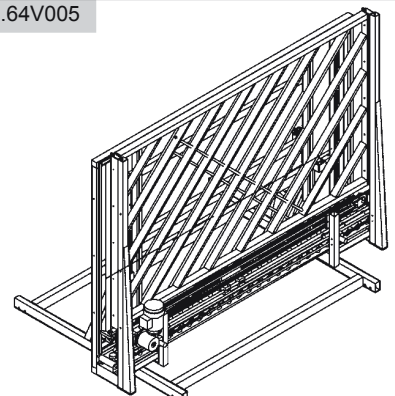
automatic transfer table with automatic in- / out-feed (with combined rolling- / pushing- unit, changed feeding direction 90°)

45.64V003



automatic transfer table with automatic in- / out-feed (with one pulling and one pushing- unit, changed feeding direction 90°)

45.64V005

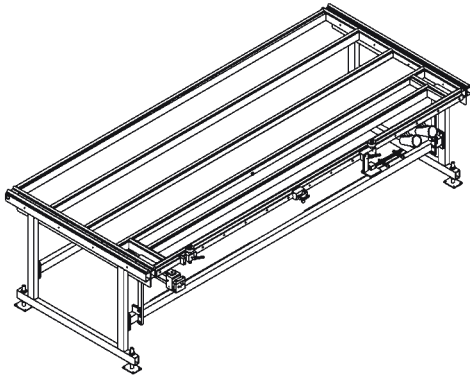


automatic transfer table with automatic in- / out-feed (with one pushing-unit, feeding direction in line)



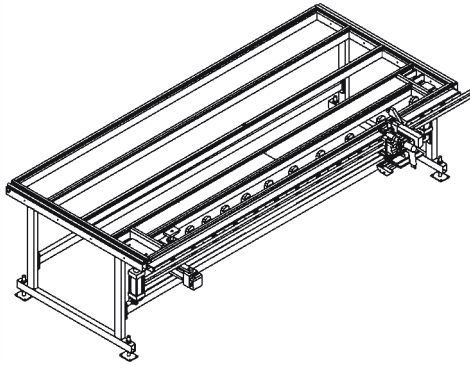
## Assembly Devices

46.52V005



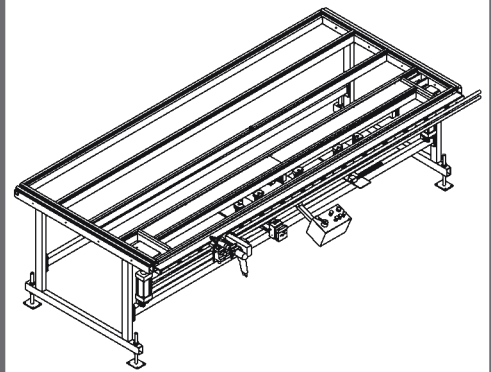
sash mounting station FM 2500/3000

46.52V009



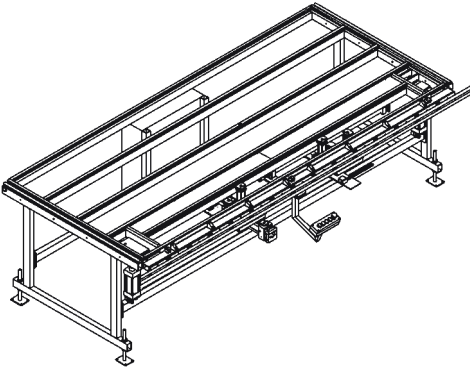
sash mounting station FM 2501/3001

46.52V011



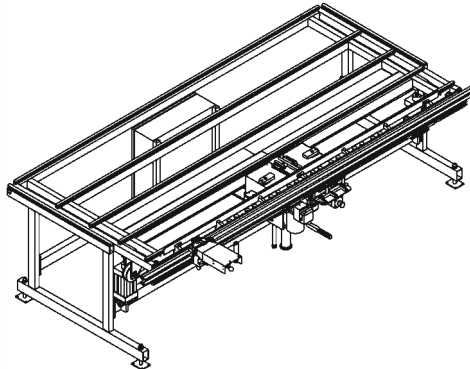
sash mounting station FM 2502/3002

46.52K052



sash mounting station FM 2512/3012 with PLC controlled sequence

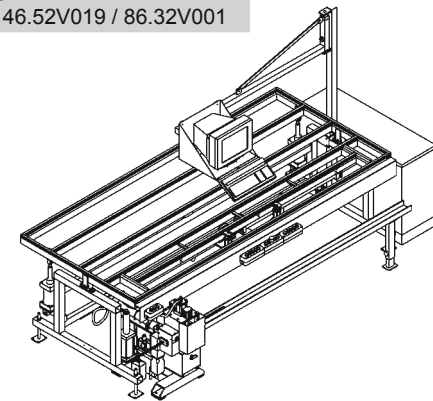
46.52V014



sash mounting station FM 3003 with triple drill unit

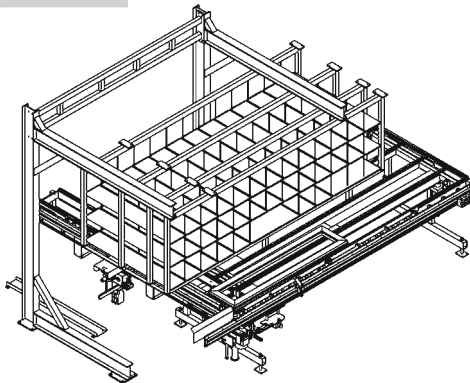
Hardware shelf type: 54.02...  
on page 13

46.52V019 / 86.32V001



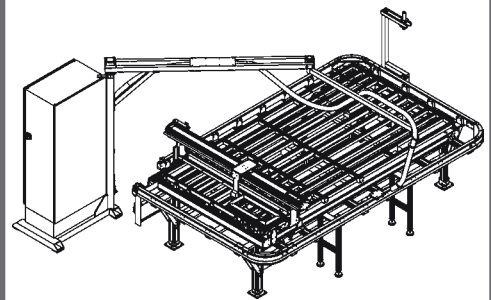
sash mounting station FM 3015 AL-PC with automatic punching unit

46.54V002



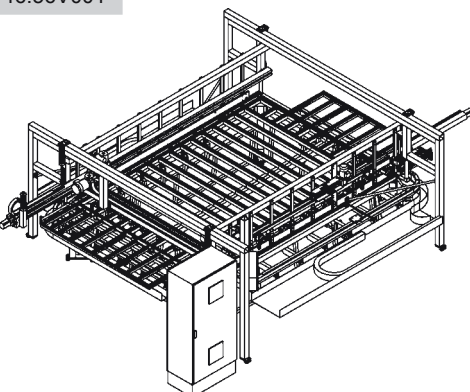
sash assembly automatic FAA S2

46.55V005



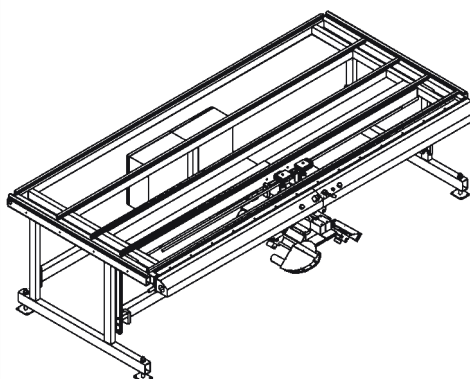
sash assembly automatic FAA S3

46.56V001



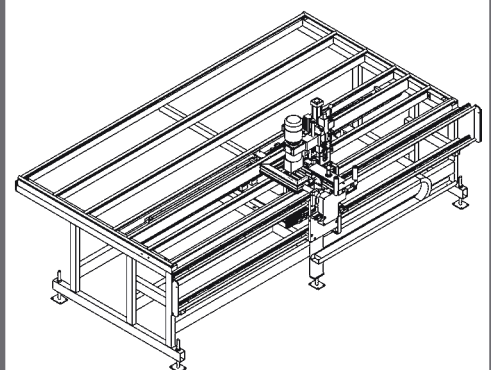
sash assembly automatic FAA S4

46.52K055



bead cutting table FM 3004

46.52V026

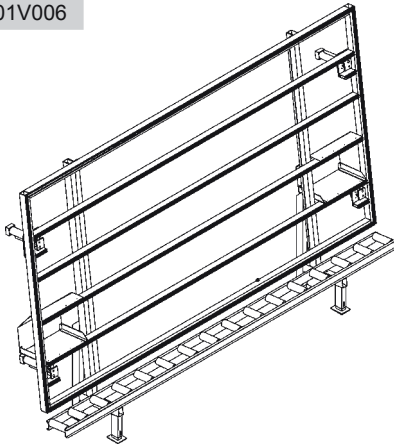


frame assembly station RM 3000/4000



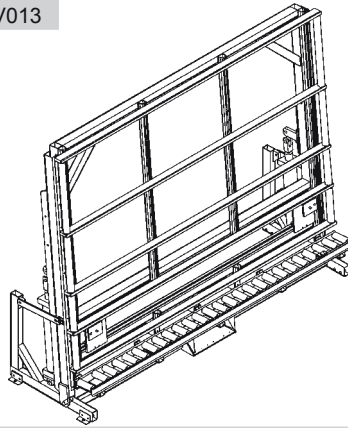
## Assembly Devices

47.01V006

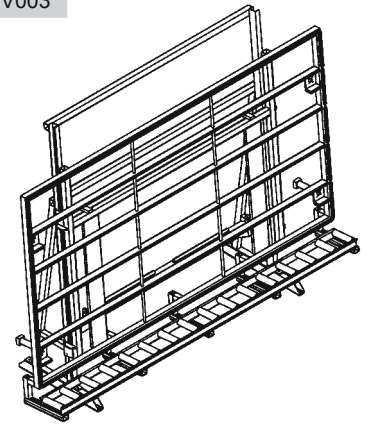


vertical mounting station

47.11V013

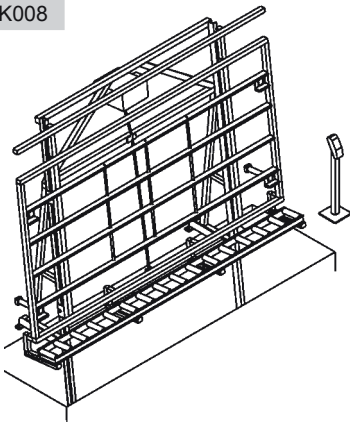
vertical mounting station  
with clamping devices

47.01V003

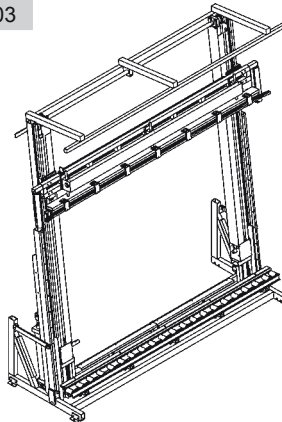


vertical mounting and assembly station

47.02K008

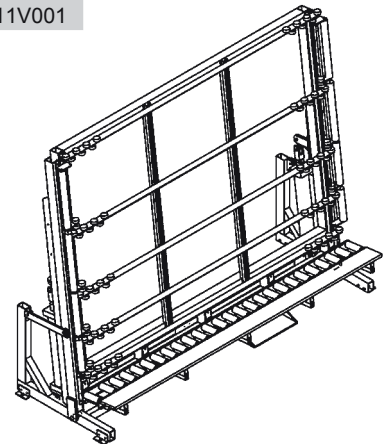
vertical mounting and assembly station with extended  
lifting travel from -1000 mm to +1000 mm

48.20V003



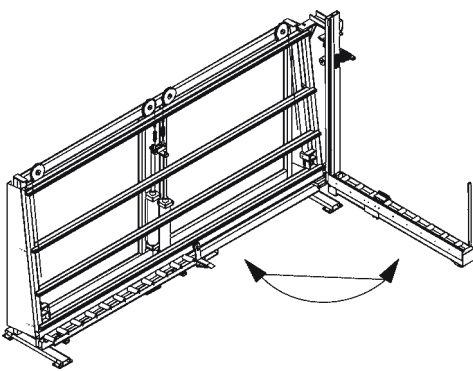
assembly and check station

47.11V001

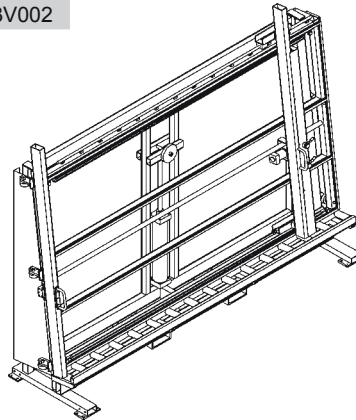


glazing and sealing station

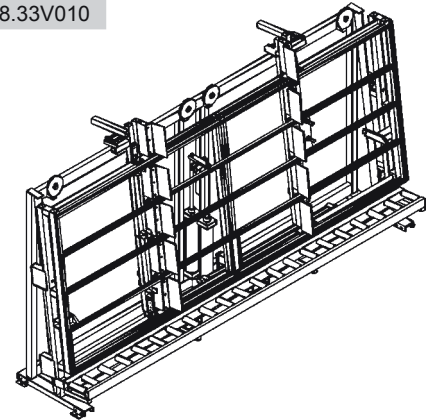
47.11V018

glazing and sealing station with integrated  
turning device

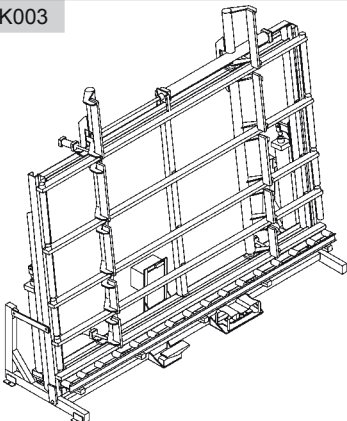
48.33V002

glazing station VS 4000  
with swivelling press bar

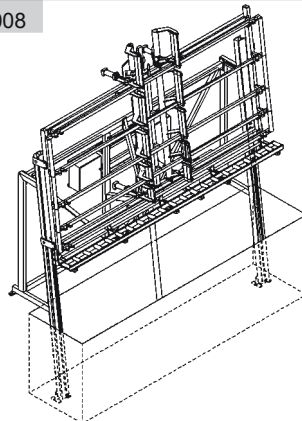
48.33V010

glazing station VS 4000  
with retractable press bars

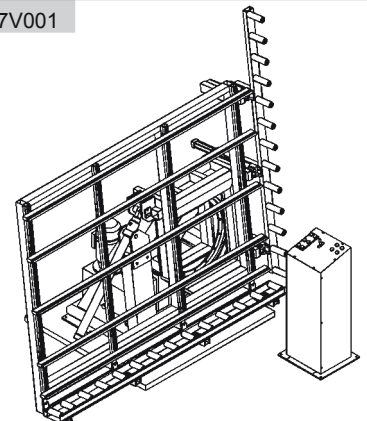
48.34K003

control and glazing press AUTOMATIC  
with retractable press bars

48.34V008

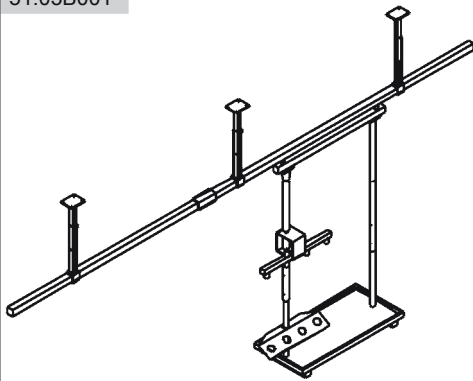
control and glazing press AUTOMATIC with  
extended travel from -1000 mm to + 1000 mm

43.07V001

90°-window turning station with hydraulically  
powered turning unit

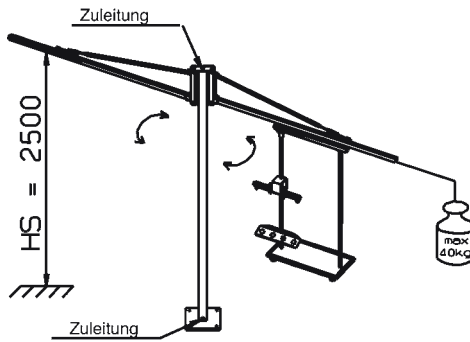
**Workstation Equipment**

51.03B001



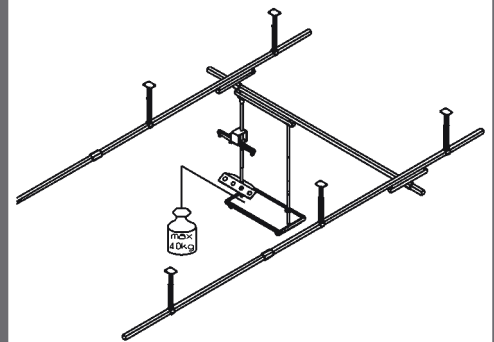
overhead turning arm for hand tool- and fitting rack, mounted onto column

51.04B012



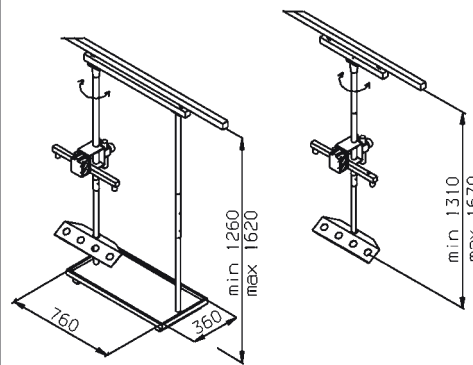
single rail overhead holder for hand tool- and fitting rack

51.04V001



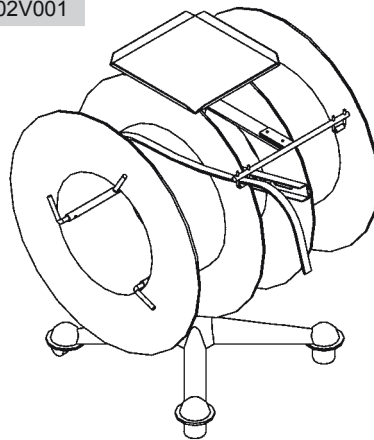
double rail overhead holder for hand tool- and fitting rack

51.03V001/51.03V003



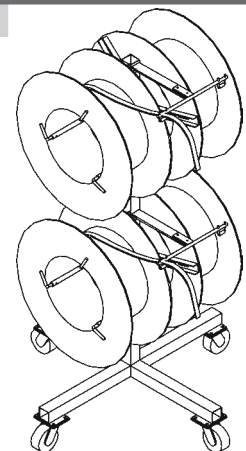
hand tool- and fitting rack for all overhead holders

52.02V001



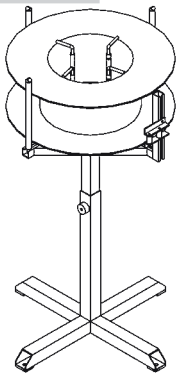
reel stand - movable

52.02V002



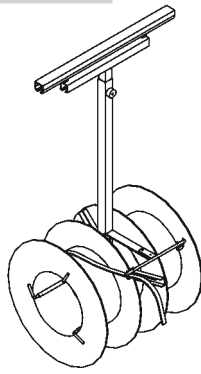
reel stand for 4 off gasket reels

52.02V004



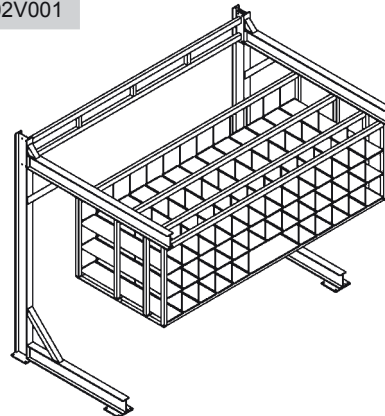
reel stand -horizontal-

52.02V003



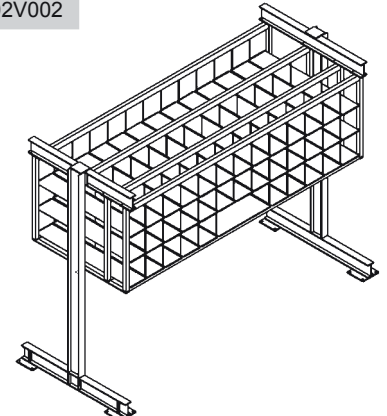
reel stand for all overhead holders

54.02V001



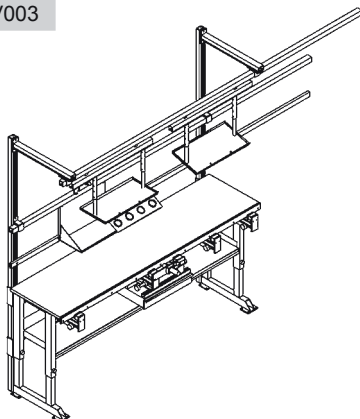
hardware shelf above sash mounting table, suitable for inline material flow

54.02V002



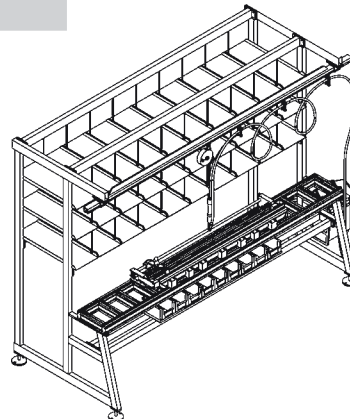
hardware shelf above sash mounting table, with double-T-stand

55.02V003



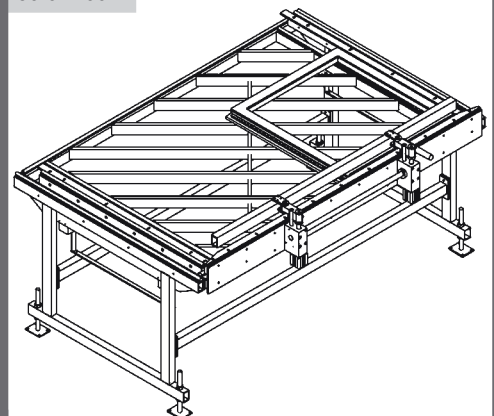
working station for bar assembly

56.03



working station for assembly of sash hardware on bar

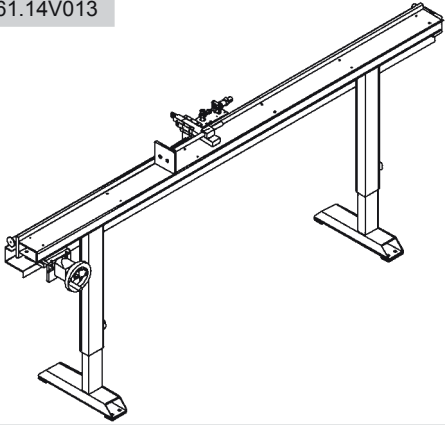
59.01V002



weather bar assembly station

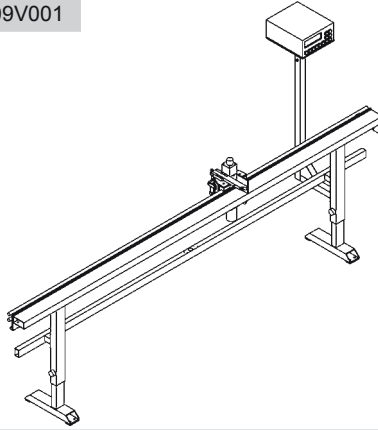
## Measuring and Length Stops

61.14V013



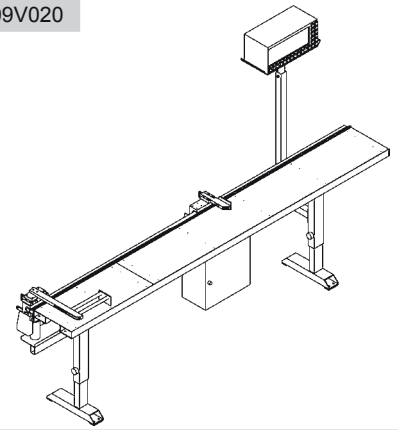
hand-wheel length stop with electronic digital display

62.09V001



single axis length stop, PC-controlled

62.09V020



double axis length stop, PC-controlled

64.04V002



standard measuring stick with data transmission cable

64.04K012



standard telescope measuring stick with memory module

64.04K006



telescope measuring stick with wireless data transmission and key board

64.04K002

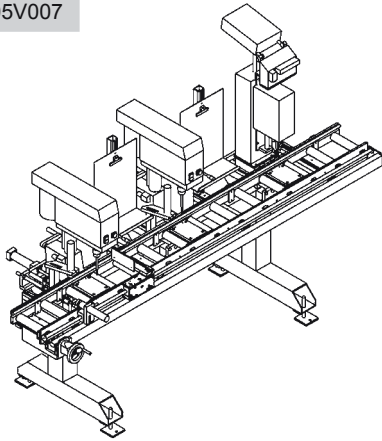


telescope measuring stick with wireless data transmission



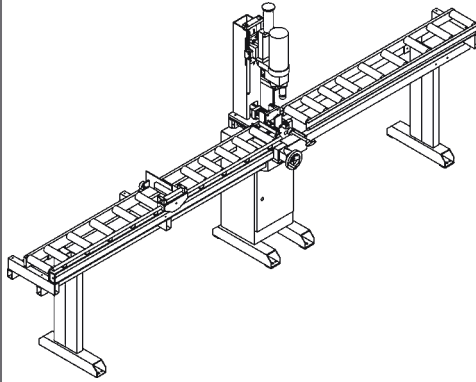
## Machines

81.05V007



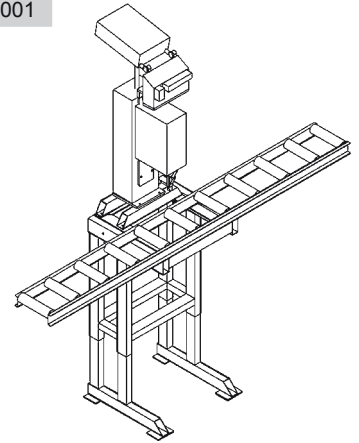
reinforcement screwing and drilling station

81.09V003



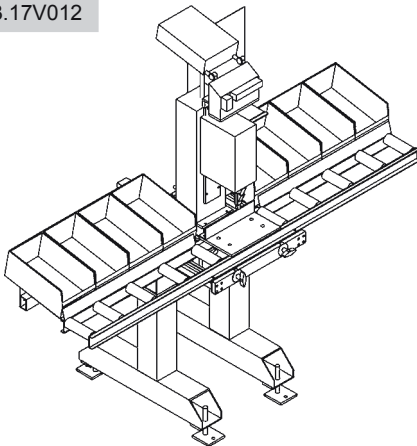
drilling station for mechanical transom connection holes, pair wise operations at frame profiles

83.17V001



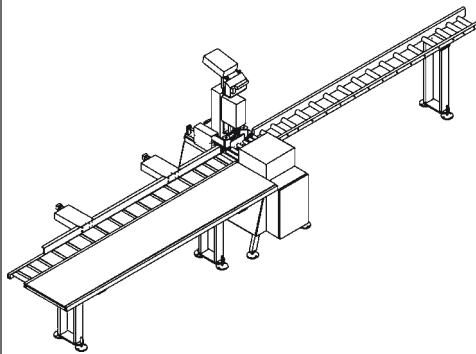
reinforcement screwing station with machine stand

83.17V012



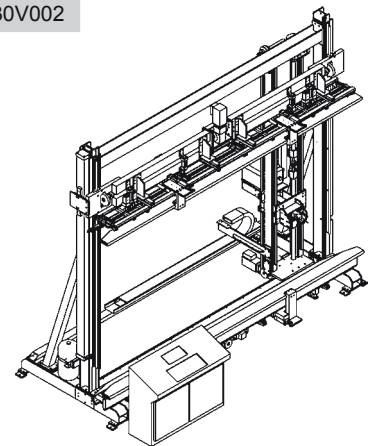
lock keep fitting station

83.01V001



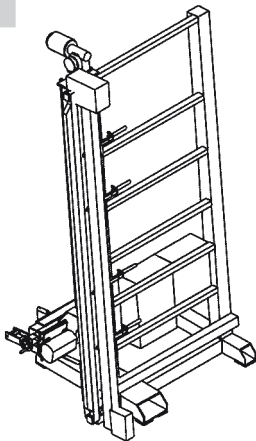
autom. reinforcement screwing machine DSA 1600

83.30V002



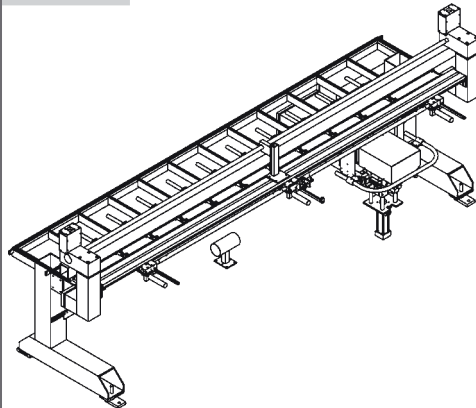
fully autom. screwing machine for nipple screws HRA

85.03V003



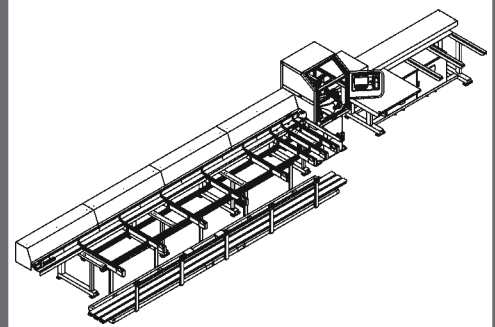
autom. longitudinal saw for sash overlap -vertical-

85.03V001



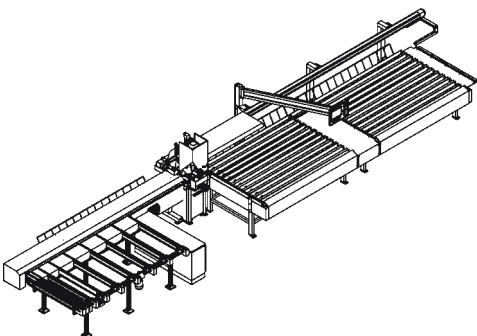
autom. longitudinal saw for sash overlap -horizontal

81.20V002



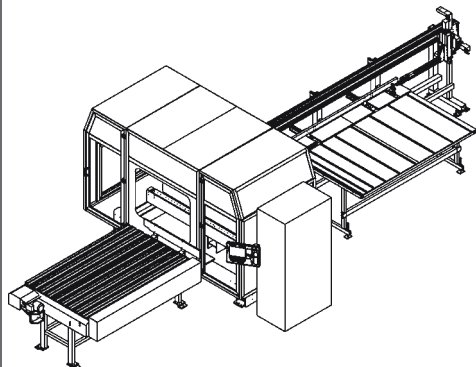
fully automatic cutting machine ZA 550

81.17V001



fully automatic steel cutting machine SZA 350 - for optimized cutting sequence of reinforcement in PVCU window production

81.25V001



fully automatic machining centre SBZ 100 G



DEVELOPMENT  
PRODUCTION  
SERVICE

For the entire window production



AFS Federhenn Maschinen GmbH  
Werner-von-Siemens-Strasse 6 · D-55481 Kirchberg  
Telefon: +49 (0) 67 63 - 3 03 21 - 0  
Telefax: +49 (0) 67 63 - 3 03 21 - 500  
[info@afs-federhenn.de](mailto:info@afs-federhenn.de)  
[www.afs-federhenn.de](http://www.afs-federhenn.de)