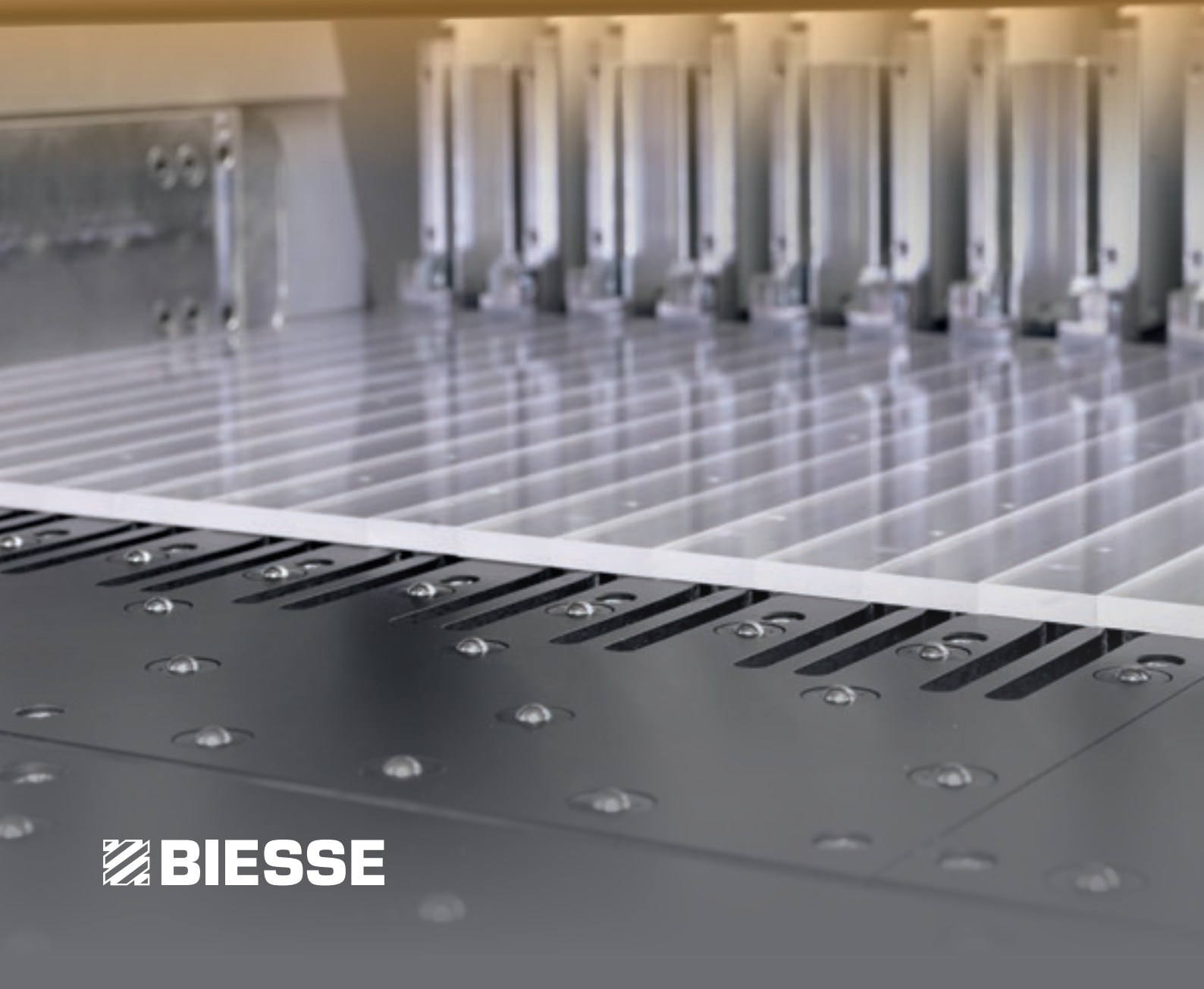


SELCO

CO

PLAST WN 6

NUMERIC CONTROLLED PANEL
SIZING CENTRE



 **BIESSE**

THE RESULT OF TECHNOLOGICAL RESEARCH FOR TOP-CLASS PERFORMANCE



THE MARKET EXPECTS

a change in manufacturing processes, enabling companies to **accept the largest possible number of orders**. This is coupled with the need to maintain high quality standards whilst offering product customisation with **quick and defined delivery times**.

BIESSE RESPONDS

with **technological solutions** which underline and support technical expertise, as well as process and material knowledge. **SELCO PLAST WN 6** is a professional range of beam saws with one cutting line, designed to produce medium-sized batches.



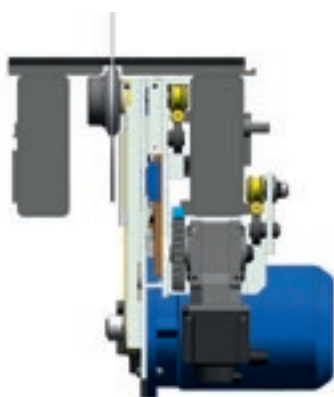
SELCO PLAST WN 6

- HIGH QUALITY AND CUTTING ACCURACY
- REDUCED TOOL CHANGEOVER TIME
- TECHNOLOGICAL SOLUTIONS FOR EVERY MACHINING NEED

CUTTING QUALITY

The protrusion of the main blade and the opening of the presser are automatically adjusted by the numerical control on the basis of the thickness of the book to be cut, thereby obtaining the best cutting quality in all working conditions.

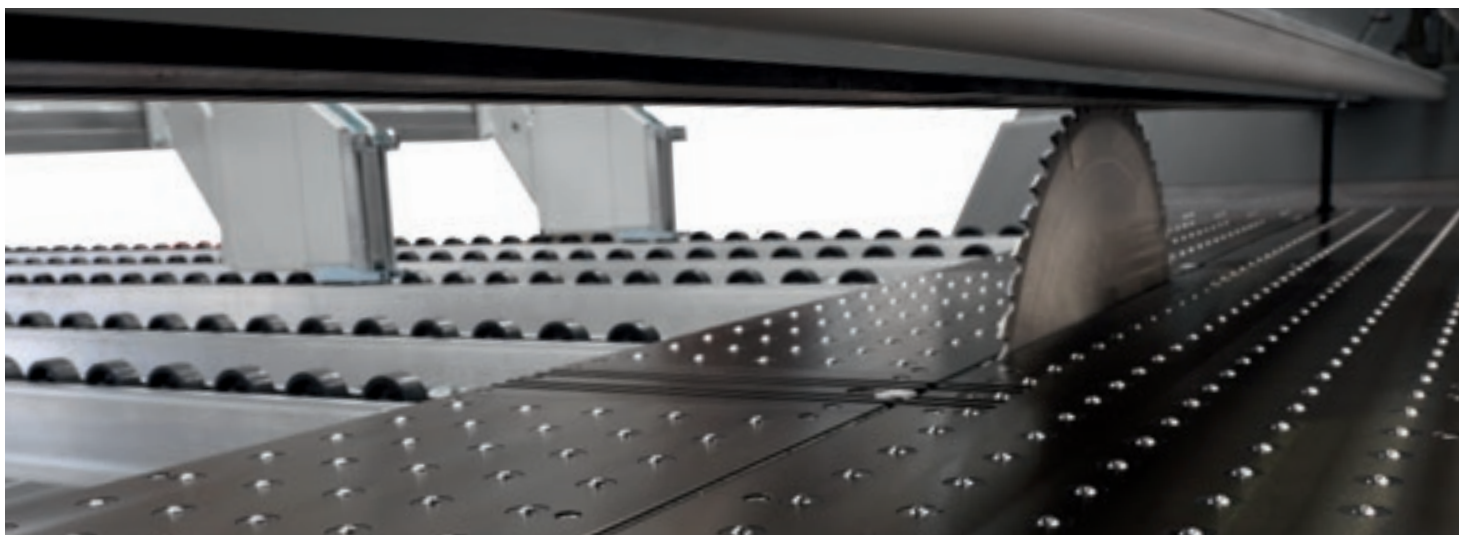
Perfect stability, thanks to the solid steel structure of the base sustained by robust supports. The slide guides of the blade-holder carriage are located on the same beam to ensure they are straight and perfectly parallel.



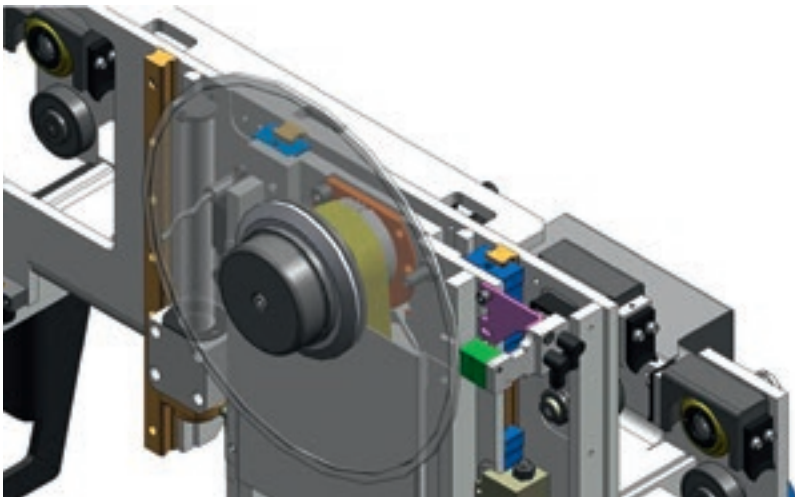
The excellent balancing of the tool-holder carriage (thanks to the shape of the base and the positioning of the guides and wheels) means there are no blade vibrations at all, and the carriage makes an extremely linear movement.



Top product quality, thanks to the air cushioned working surface, which protects delicate materials. In addition, this characteristic ensures the surface next to the blade is kept constantly clean.



MAXIMUM CUTTING QUALITY, A LONGER BLADE LIFESPAN, AND REDUCED MAINTENANCE COSTS.



Blade carriage with inverter motor and nozzle for blade lubrication and cooling. It is equipped with an anti-slide device that controls the position and the number of revolutions of the blade, intervening to adjust the advance speed.



Cutting line closure system to prevent trim cuts from falling into the machine and fouling the blade path.

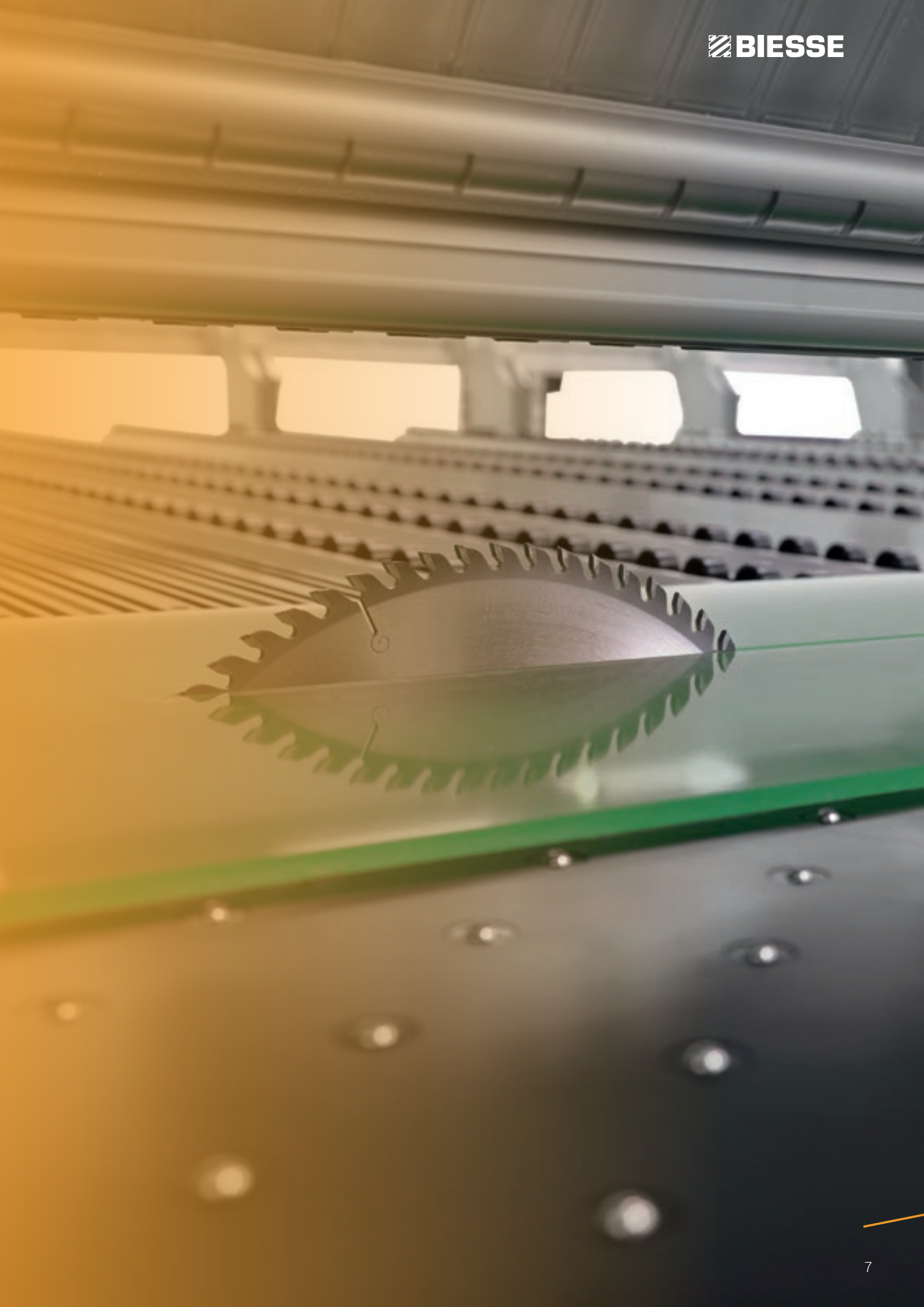


SELCO TECHNO LOGY

PRECISION CUTTING

Selco beam saws' cutting-edge technology responds to the needs of operators who process technological materials.

The robust pushing carriage driven by a brushless motor on hardened racks and cemented gear wheels, together with the magnetic band positioning control and component locking via independent grippers, guarantee the utmost cutting precision and quality for panels of various formats and sizes.



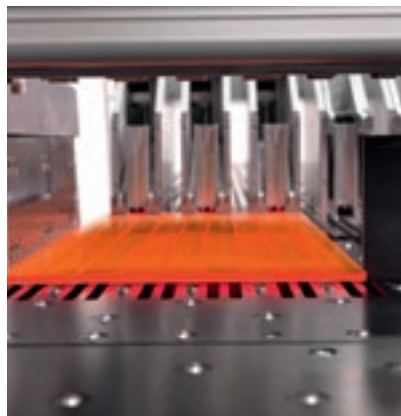
MAXIMUM MACHINING OPERATION PRECISION



Fast, accurate positioning of the panels for optimum cutting precision, thanks to the robust pusher carriage activated by a brushless motor. The slide surface below the pushing device is fitted with independent rollers to avoid marking delicate surfaced panels.



The **grippers** ensure the book is firmly secured. Their specific design and machine logic enable the full ejection of cut panels from the cutting line, making it easier for the operator to handle both panels and waste.



Perfect alignment of very thin and/or flexible panels, minimising cycle times thanks to the side alignment stop integrated in the blade carriage.

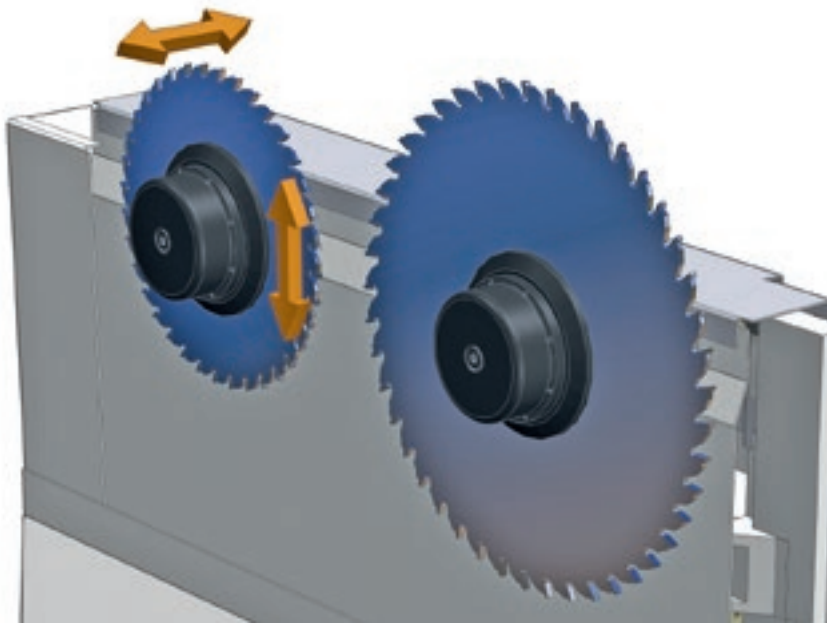
REDUCED TOOL CHANGEOVER TIME



Quick Change system (patented) for the swift release of blades without tools.



Fast, accurate setting of the scoring and main blades, using **Digiset system**. The system also stores the information for each set of blades, ensuring repeatable and accurate alignment every time.

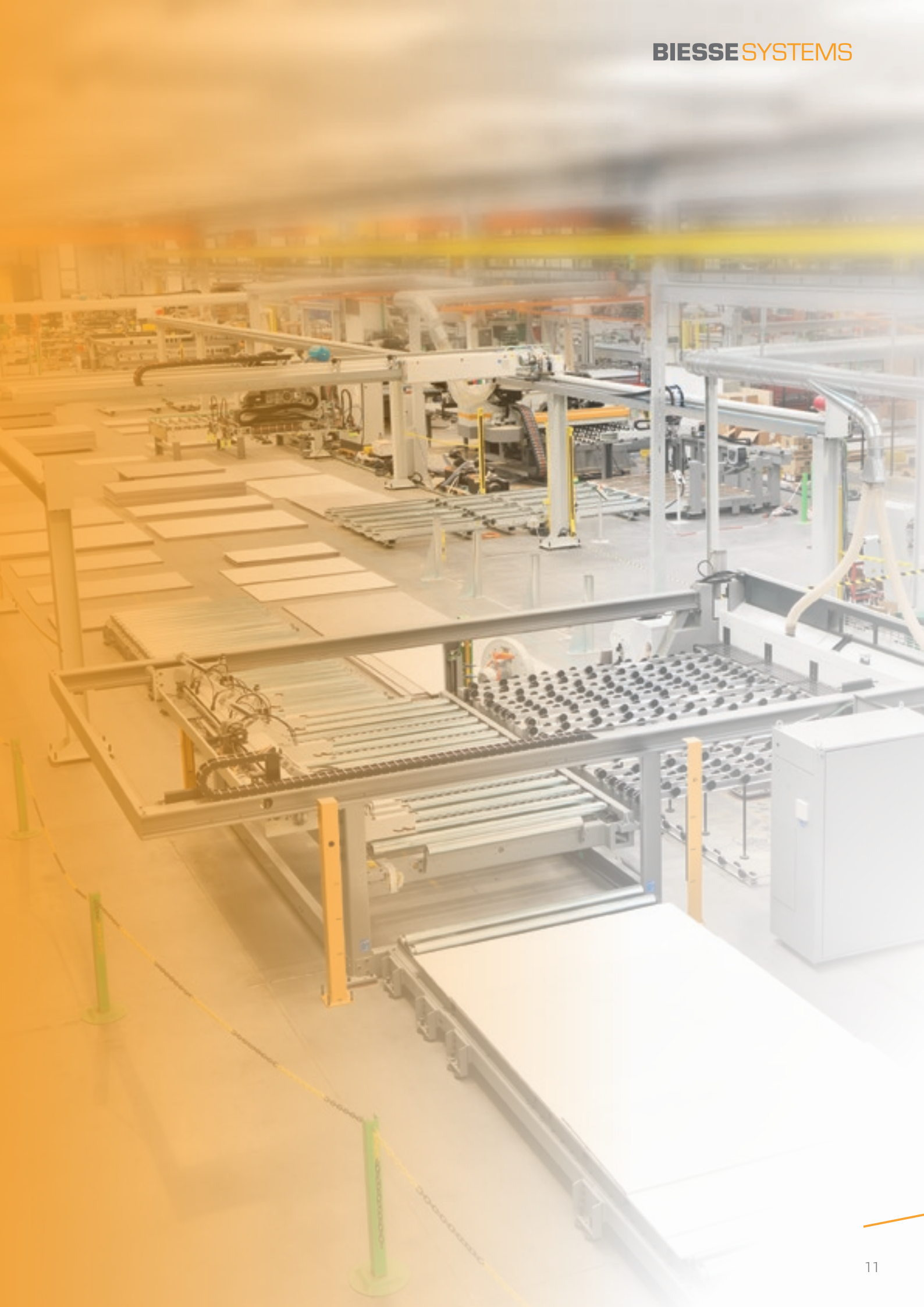


PRODUCTION

COMPETITIVE CUSTOMISATION

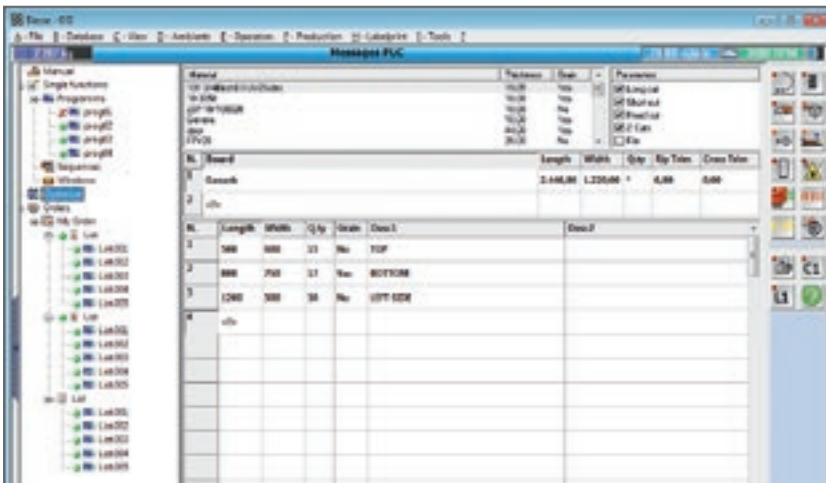
Made-to-measure turnkey factories, plus the integration of Biesse Group solutions with complementary software and machinery, with over 1000 systems installed worldwide.

Biesse Systems is a team of highly trained engineers for large scale production processes. Biesse Systems offers integrated cells and systems that are capable of maximising customer competitiveness by combining mass production techniques with a high degree of customisation to meet customers' exact requirements.



EASE OF USE AND PRACTICALITY

The OSI (Open Selco Interface) numerical control guarantees the management of the execution of cutting patterns, and optimizes all movements relative to controlled axis (i.e. Pusher and Saw Carriage, pressure beam, blade height). It ensures the blade protrudes from the book to the correct degree during sectioning, and calculates the most suitable cutting speed on the basis of the book height and trim cut width. It helps ensure the best cutting quality at all times.



QUICKOPTI

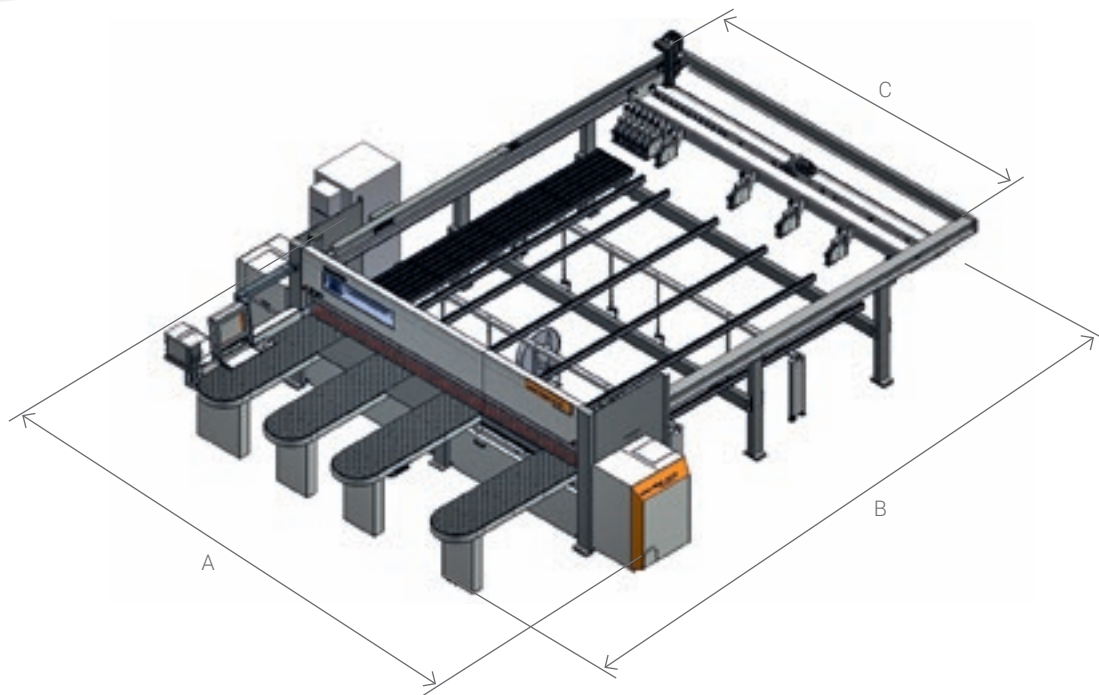
Simple, intuitive software for optimising the cutting patterns directly on the machine.



LABELLING

A special software creates individual labels and prints them in real time, on the machine. The information available can also be printed in bar code form.

TECHNICAL SPECIFICATIONS



SELCO PLAST WN 610 - 650

		3200X3200	4500X4500
A	mm/inch	5350/216	6650/262
B	mm/inch	6980/275	8280/356
C	mm/inch	3630/143	4930/194

		PLAST WN 610	PLAST WN 650
Maximum blade protrusion	mm/inch	95/4	123/5
Main blade motor	kW	15	18,5
Engraver blade motor	kW	2,2	
Blade carriage transfer		brushless	
Blade carriage speed	m/min - ft/min	1 - 160 / 3 - 525	
Pushing device transfer		brushless	
Pushing device speed	m/min - ft/min	90/295	

The technical specifications and drawings are non-binding. Some photos may show machines equipped with optional features. Biesse Spa reserves the right to carry out modifications without prior notice.

Equivalent sound pressure level in position in the work area during machining (LpA) dB(A) 82,76. Environmental correction factor (K) dB(A) 5,35. Sound power level during machining (LwA) dB(A) 106,14. Weighted peak instantaneous sound pressure in the work area during machining dB(C) < 130 . Uncertainty of measurement K = 4 dB (A).

The measurement was carried out in compliance with UNI EN ISO 3746, UNI EN ISO 11202 and subsequent modifications. The noise levels indicated are output levels and do not necessarily represent safe operational levels. Even though there is a relation between emission levels and exposure levels, this cannot be used reliably to establish whether or not further precautions are necessary. The factors determining the actual noise levels to which the operative personnel are exposed to include the length of exposure, the characteristics of the work environment, other emission sources, i.e. the number of machines and machining operations in the vicinity. In any case, this information will help the machine user to better assess the danger and risks involved.

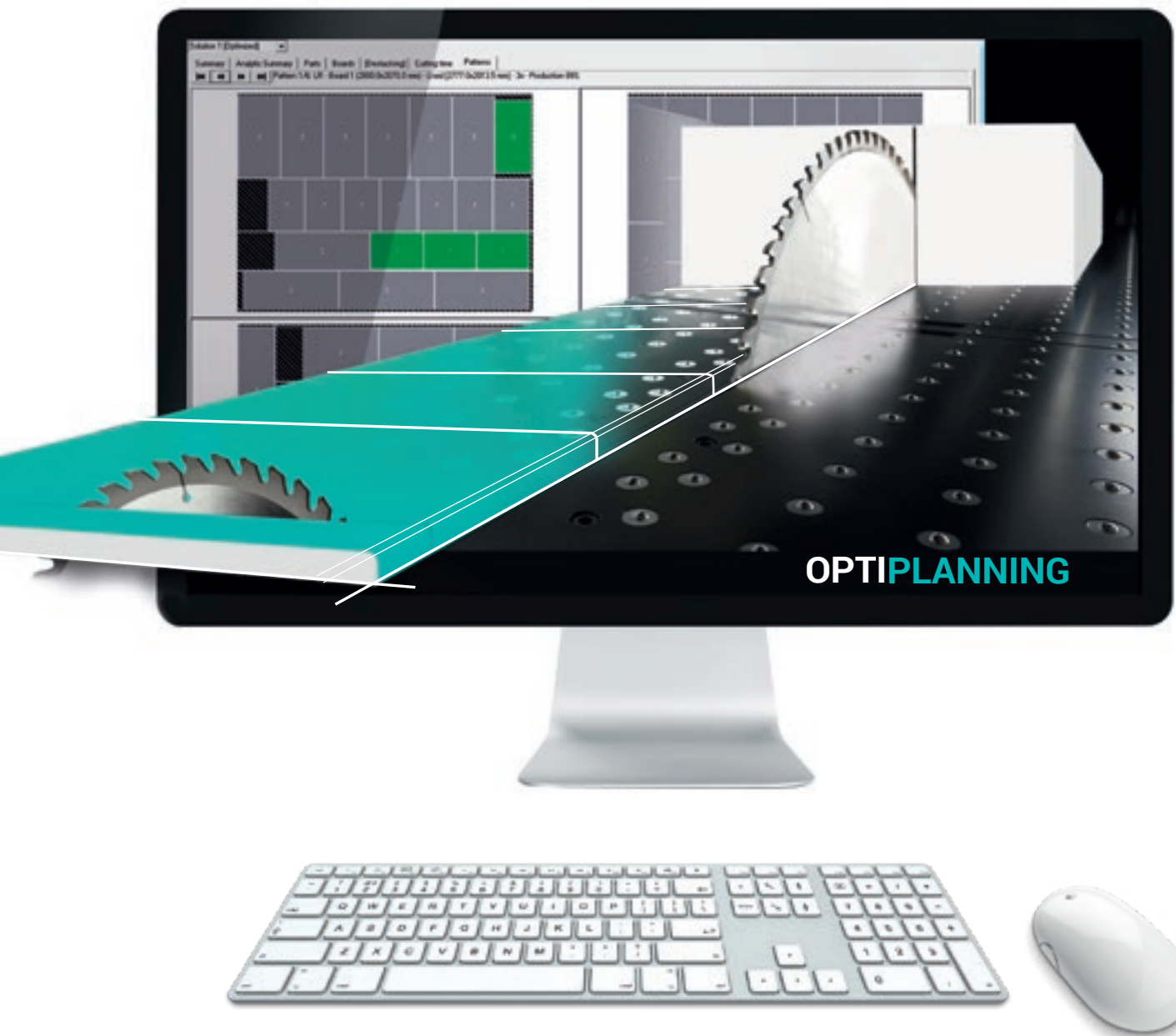
SOFTWARE FOR THE SMART, ASSISTED MANAGEMENT OF CUTTING PATTERNS



OPTIPLANNING IS THE SOFTWARE FOR OPTIMISING CUTTING PATTERNS, DEVELOPED ENTIRELY BY BIESSE. BASED ON THE LIST OF PIECES TO BE PRODUCED AND THE PANELS AVAILABLE, IT CAN CALCULATE THE BEST SOLUTION TO MINIMISE MATERIAL CONSUMPTION, SECTIONING TIMES AND PRODUCTION COSTS.

- Simple, user-friendly interface.
- Excellent reliability of the calculation algorithms for production batches in small and large companies.
- Automatic import of the cutting list generated by the software for the design of furniture items and/or ERP management systems.

OPTIPLANNING



CUSTOMER CARE IS WHO WE ARE

SERVICES is a new experience for our customers, to offer not just excellent technology but the added value of an increasingly direct connection with the company, the professionals who work there and the experience they embody.



ADVANCED DIAGNOSTICS

Digital channels for remote interaction online 24/7. Always ready to intervene on-site seven days a week.



A WORLDWIDE NETWORK

39 branch offices, over 300 certified agents, retailers in 120 countries, and spare parts warehouses in America, Europe and the Far East.



SPARE PARTS AVAILABLE IMMEDIATELY

Identification, shipping and delivery of spare parts for every need.



EVOLVED TRAINING OPPORTUNITIES

Lots of on-site, online and classroom training modules for personalised growth.



VALUABLE SERVICES

A wide range of services and software packages to help our customers achieve continuous improvements in performance.

AN EXCELLENT LEVEL OF SERVICE

+550

HIGHLY SPECIALISED
TECHNICIANS AROUND
THE WORLD, READY TO HELP
CUSTOMERS WITH EVERY
NEED

90%

OF MACHINE DOWN CASES
WITH RESPONSE TIME
UNDER 1 HOUR

+100

EXPERTS IN DIRECT
CONTACT THROUGH
REMOTE CONNECTIONS
AND TELESERVICE

92%

OF SPARE PARTS ORDERS
FOR MACHINE DOWNTIME
PROCESSED WITHIN 24
HOURS

+50.000

ITEMS IN STOCK IN THE
SPARE PARTS WAREHOUSES

+5.000

PREVENTIVE MAINTENANCE
VISITS

80%

OF SUPPORT REQUESTS
SOLVED ONLINE

96%

OF SPARE PARTS ORDERS
DELIVERED IN FULL ON TIME

88%

OF CASES SOLVED WITH
THE FIRST ON-SITE VISIT

MADE WITH BIESSE

BIESSE TECHNOLOGY AND CREATIVITY BY ACTION GIROMARI

Action Giromari is a creative workshop that has been working with laser branding and engraving for over 20 years. Developed at a time when globalisation and, to some extent, standardisation were hallmarks of the global culture and economy, the company offered the market a chance to preserve and strengthen the personal aesthetic of creatives, designers and companies.

The company stands out for its ability to work with any type of material.

"We don't develop a single category of products. Rather, thanks to the wide variety of materials we work with and the varied technologies we use, we are able to tailor any project, both for small scale and mass production. We develop stands, signs, branding products and anything that relates to visual communica-

tion. Other products include coverings, countertops and custom made interior design products for stores. We also work with several architects, who send us their designs. Our clients mainly ask us to design and create products that highlight their identity as a company to help them stand out on the market through creativity and design," Raffaele Bastianoni, the company owner, explains.

Action Giromari handles every phase of production itself, from prototyping to engineering to packaging, every single step is inspected first hand. Numerical control technology allows Action Giromari to cut, mill, score and shape each piece. The steps that follow (assembly, gluing...) all the way to final finishing, are exclusively carried out by hand.

"Biesse technology plays a key role in

allowing us to be more versatile and offer ad hoc solutions. Thanks to the new Rover Plast M5 purchased in May 2016 we have increased our production of complex shapes and 3D objects: unique products that have great value on the market. When we chose Biesse, an Italian company that offered reliability and know how, we weren't simply interested in the new numerical control milling cutter, rather we acquired a veritable partnership.

"We consider Biesse a strategic partner for Giromari's technological development" Bastianoni says in closing.



LIVE THE EXPERIENCE



Interconnected technologies and advanced services that maximise efficiency and productivity, generating new skills to serve better our customer.

**LIVE THE BIESSE GROUP
EXPERIENCE AT OUR CAMPUSES
ACROSS THE WORLD**

