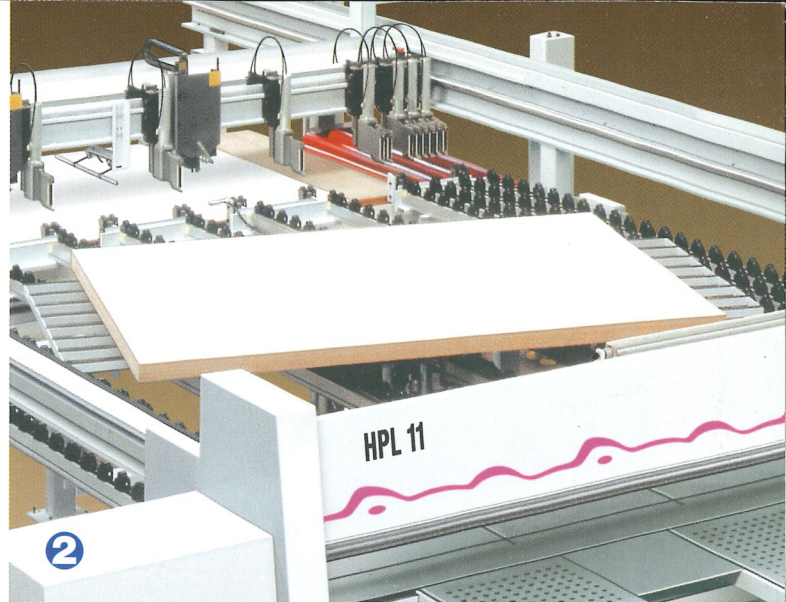
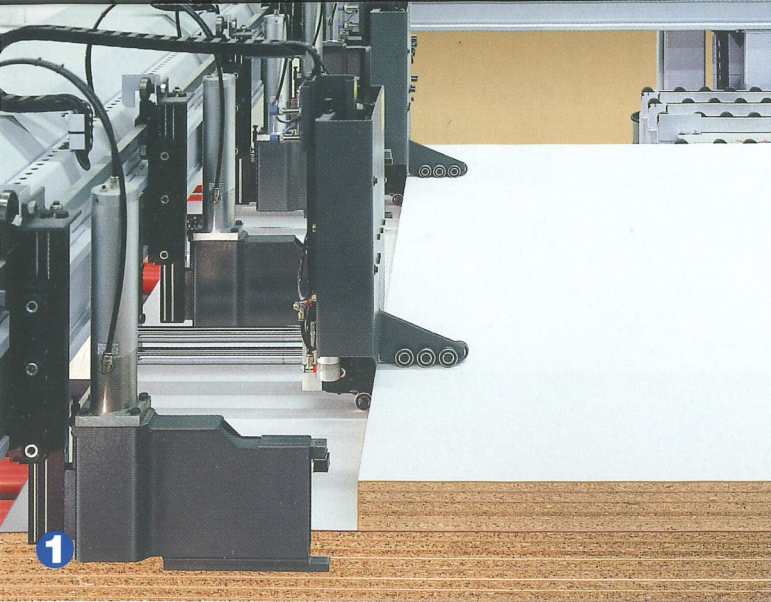


Panel Cutter Optimat HPL 11

Chipfree, finished cut –
accurate, versatile,
economical



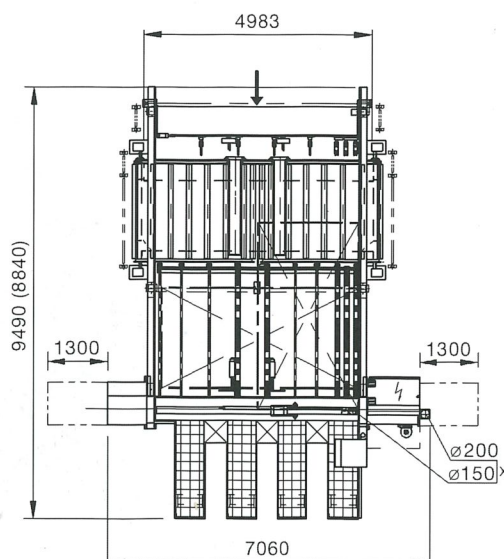
F 284e/4.2003/5 Sch

Optimat HPL 11 strong and reliable in each detail

- 1 Micro Infeed,**
CNC precision infeed also for thin panels
- 2 Book turning device,**
fully automatic turning device for head cuts (option)
- 3 Liftomat,**
semi-automatic destacking station (option)
- 4 CADmatic,**
machine control picture shows label printer (option)

Technical Data Optimat HPL 11

Saw blade projection	125 mm
Cutting length/width	4300 mm
Liftable size	4300 x 2200 mm 4300 x 1600 mm
Max. load	7 to
Main saw motor	13.5 kW
Scoring saw motor	2.2 kW
V = Saw carriage speed	5-130 m/min
V = Program fence	80 m/min



Type HPL 11/43-22 (43-16)



HOLZMA-Plattenaufteiltechnik GmbH
 Holzmastrasse 3
 D-75365 Calw-Holzbronn
 ☎ +49 (0) 70 53/69-0
 Fax +49 (0) 70 53/6174
 info@holzma.de
 www.holzma.de



Niederlassung
 Dieselstrasse 73
 D-33442 Herzebrock-Clarholz
 ☎ +49 (0) 52 45/92 20 10
 Fax +49 (0) 52 45/92 20 44