

CONTROL

EVOLUTION

STANDARD

COMPACT

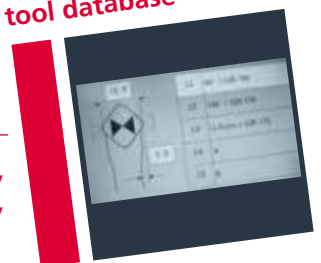
■ STRIEBIG ■



# CONTROL

Premium class  
Vertical Cutting Center

incl.  
tool database



**Standard:** high degree of flexibility  
and excellent repeat accuracy

# Creating sustainable values

## ■ Confidence, ability, continuity

For us, vertical sawing technology is both a passion and a mission. As the only manufacturer of vertical panel saws in the world we exclusively specialise in this individual product category: vertical panel saws STRIEBIG, the synonym for vertical panel saws.

The overall economic and ecological context is always the focus of our activities. Our entire company is certified for its management systems in the areas of quality, environment, occupational health and safety.

Our leading market position for decades is owed to your trust, consists "Swiss Made" with high product quality and the reliability of our tried-and-tested specialist trading partners.



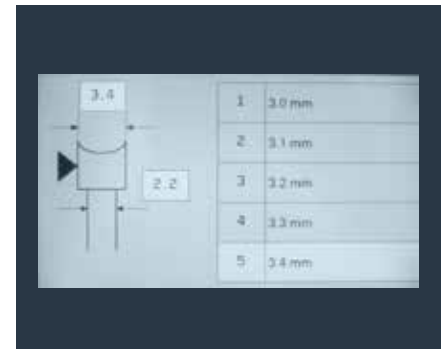
Built corporate identity: the facade of the corporate headquarters in Littau near Lucerne features vertical aluminium pilaster strips that form an excellent point of reference with our products and market partners.



## ■ Cutting technology meets future

Striebig CONTROL has always been a class of its own – the premium class for vertical sawing technology. However, to maintain this competitive edge, progress never stands still. We have developed the CONTROL into a premium-class vertical cutting centre.

Now the sawing process is characterised by a higher degree of automation, and the machine is equipped with additional equipment options. Above all, the unique "touch & saw" operating system via the innovative PLC with its touchscreen panel.



## ■ Standard: high degree of flexibility and excellent repeat accuracy

Your data for sawing, profile cutter and grooving tools can be stored in the integrated tool database.

An invaluable benefit where tools are frequently changed.



Striebig CONTROL 6224 (fig. includes optional features)

**Our title picture shows:** With a height of 4,478 metres, the Matterhorn is one of the highest peaks in the Alps and one of the most famous mountains in the world. The Matterhorn is Switzerland's most famous landmark and the most photographed tourist attraction.

■ **Intelligence meets ergonomics**

There has never been more operating convenience: the CONTROL can be operated simply by tapping on the screen. The touchscreen's 7,5" colour display visualises all functions.



The user interface and error recognition are multilingual. Self-explanatory symbols lead the user through the menu. Only the functions that the saw is capable of are ever displayed. This largely rules out incorrect operation. xShould you make a mistake, however, the user interface will offer you assistance.

Externally created cutting lists can be imported simply and easily via a USB port.

■ **Functionality meets convenience**

With the CONTROL the entire cutting is performed fully automatically. Manual operation is a thing of the past. The automatic saw beam locking feature ensures easy and quick operation.

With pneumatic assistance, the unit plunges fully automatically into the panel. Feed speeds can be infinitely adjusted between 10 and 25 m/min, thus individually adapted to the material being cut.

Further characteristic features which are also a matter of course for the premium class include the following: freely selectable saw cycle, panel end recognition, constant return speed of the saw unit, operating time counter and the digital measuring system DMS installed on both axes as standard.

■ **DMS – always the right dimension**



Digital measuring system DMS on both axes (standard). Freely selectable display accuracy from 1.0/0.5 to 0.1 mm.

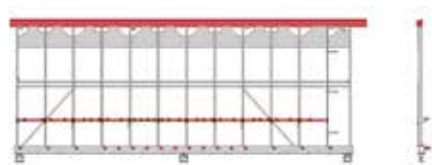


Automatic motor swivelling is only one of the countless functions of the CONTROL in support of manual sawing.

# Perfect equipment, maximum precision, powerful efficiency

Simply premium class: maximum precision for the sizing cut, ease of operation and maximum user-friendliness. Plus equipment that is unbeatable already in the basic version. CONTROL – the vertical cutting centre.

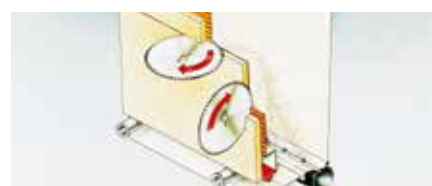
## ■ The saw frame – always solid and precise



- Precision machine parts manufactured to an accuracy of 1/100 mm
- Massive, self-supporting, firmly welded, twist-free saw frame
- Full-surface support wall of birch plywood with integral small workpiece support
- Auxiliary stop section with measuring tape and 3 auxiliary stops for repeat cuts
- Automatic recognition of the central support
- Automatic roller locking during the saw cut

## ■ TRK dust extraction system – clean air at all times

Thanks to the integral TRK dust extraction system we achieve dust limit values considerably below 1 mg/m<sup>3</sup>. We are therefore more than 50 % below the applicable recommended values.



**CONTROL**

## ■ Saw beam & saw unit – always the correct cut



### ■ Saw beam

- Stable, durable saw beam design

### ■ Saw unit

- Smooth-running guides free of play
- Automated operation for enhanced user-friendliness
- High cutting precision thanks to sturdy motor carriage mounting
- Cutting depth 80 mm (Option: 100 mm)
- Powerful, high-torque 5.5 kW motor (7.5 hp)
- Electromagnetic motor brake



Laser-assisted indication of the horizontal cut (standard)

## ■ CONTROL – always fully equipped from the start

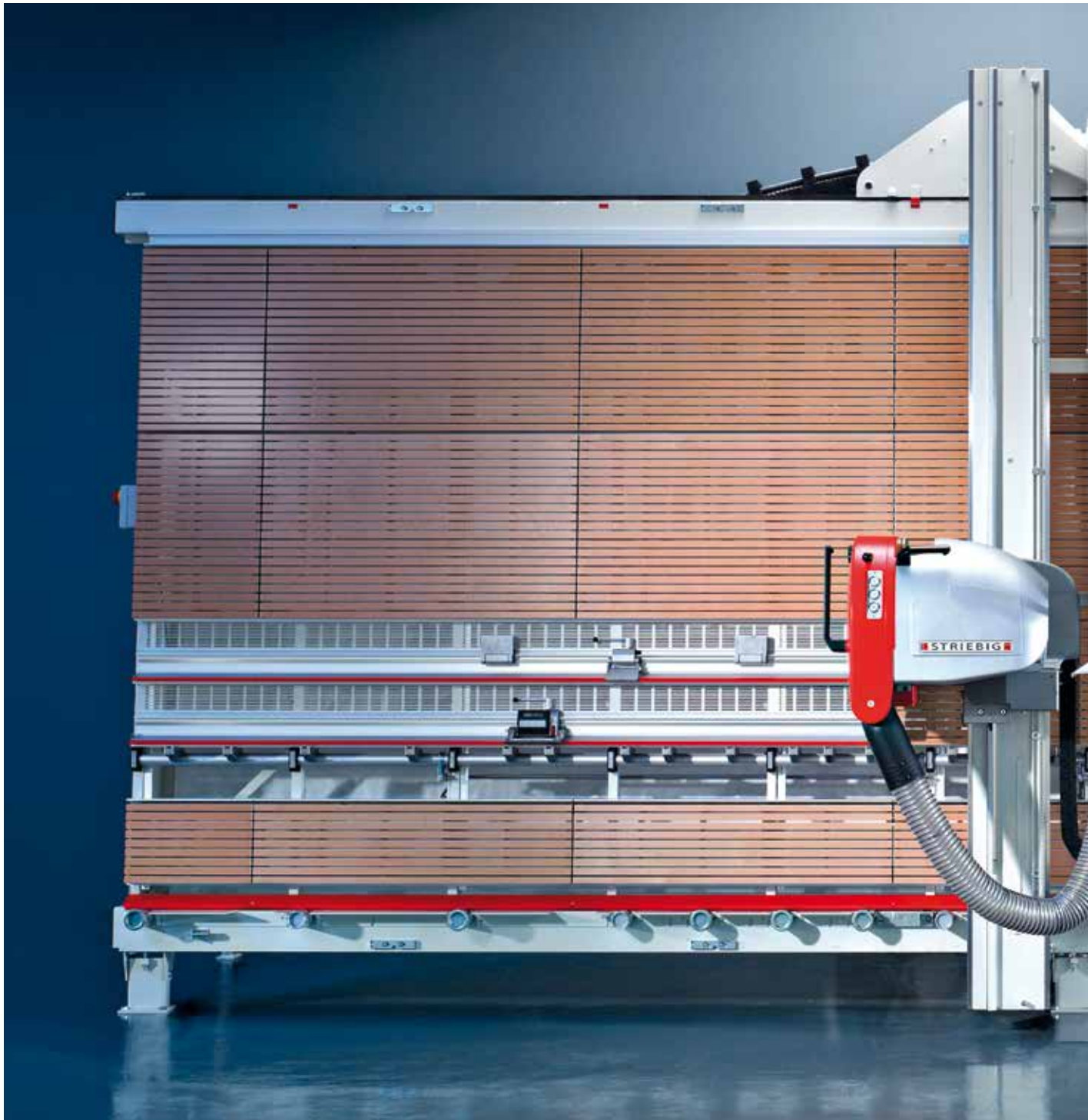
See for yourself – the CONTROL is supplied with a range of equipment rarely encountered on any other vertical saw.

- Digital measuring system DMS (both axes)
- Automatic saw beam locking with cutting point recognition
- Laser-assisted indication of the horizontal cut
- Automatic locking and swivelling of the saw unit
- Automatic plunge and withdrawal movement of the saw unit
- Automatic fine calibration of the saw motor
- Fully automated sawing sequence
- Selectable saw cycle
- Automatic panel end recognition
- Pneumatic coupling for easy changeover to manual operation
- Operating time counter
- Exceptionally efficient integral TRK dust extraction system. Dust limit value well below 1mg/m<sup>3</sup>.
- Aluminium central support over the entire length of the machine
- Tool database
- Super silent sound insulation

## ■ CONTROL – Always an added value for your company

Distinct and powerful outlines. Every single function consistently designed with efficiency in mind. Safe and precise with every cut. Impressive and superior overall appearance. Do you recognize your own work and achievements in this? Then you understand our concept of perfection.

Due to its appearance, the CONTROL represents high perceived value. The award-winning product design (e.g. design preis schweiz, among others), sets itself apart from the usual monotony of woodworking machines. Its ergonomics tailored to function and operator ensure safe and risk-free operation.



Striebig CONTROL 6224 (fig. includes optional features)

The CONTROL is characterised by outstanding functionality and excellent operator benefits. See for yourself in this video.



# The best is right in front of you

“Touch & saw” – touch the panel with your finger tip in order to operate each function of the saw. Multilingual user interface and error detection allows the saw to be operated without the slightest effort.

## ■ A finger tip will do

- Visualisation and operation via 7.5" touchscreen colour display
- PLC control with multilingual user interface and error detection
- Transmission of externally created Excel cutting lists by means of a USB stick to the touchscreen
- Fully automated sawing sequence
- Infinitely selectable feed speeds from 10 to 25 m/min
- Selectable saw cycle
- Panel end recognition
- Constant return speed
- Operating time counter
- Tool database



## ■ Intuitive communication

The touchscreen panel always keeps you informed. You can access all operational data at any time. Service or error messages are visually assisted making errors easy to trace and rectify. The data of sawing, profile cutter and grooving tools can be stored in and easily retrieved from an integrated, powerful software module. There is no easier way to communicate with your saw.

# The uniqueness of the CONTROL goes far beyond what you may think

Every CONTROL comes comprehensively equipped ex works. Thanks to the wide range of accessories available, the machine is fully adjustable to meet your individual needs. Upon request, special dimensions can be accommodated. Contact us to discuss your requirements.

## ■ 4SB – the lower trimming cut becomes child's play



The 4SB system performs an automatic lower trimming cut of panels up to 5300 mm long and up to 2185 mm tall relieving the operator of any physically exhausting work.

## ■ ABO – the automatic upper trimming cut



ABO, for automatic top trimming is the ideal complement to the 4SB system: 4SB and ABO – the CONTROL is the only machine to combine both features.

## ■ VSA – even greater cutting quality for coated panels



Time-, cost- and tool-saving – these are the benefits offered by a scoring saw unit VSA. If larger panel quantities or panels of possibly lower quality are to be processed, the use of a VSA is a "must". Because it extends the service life of a main saw blade 7–8 fold. A scoring saw blade lasts at least as long as 3 main saw blades.

## ■ Paper holder – documents are always at hand



Securely held – the paper holder keeps documents at hand, next to the touchscreen panel.

## ■ EPS – enter and done



Enter the dimensions – that's it. The electronic positioning system EPS is fully integrated into the touchscreen panel. It allows the simple positioning of both horizontal and vertical cutting axes with 1/10 mm precision.

## ■ Central support made from fibre-reinforced plastics



"High-end" frames made of rom fibre-reinforced plastics provide special protection for particularly sensitive edge materials and postforming edges.



**CONTROL**



■ **WSG – cutting mitres with precision**



The angle cutting unit WSG can be applied to the left and right of each vertical cutting point. It is quick and easy to fit. Range of application: panels with thicknesses of up to 42 mm, precise angles and mitres from 0° to 46°.

■ **Grooving and routing – expand your range of services**

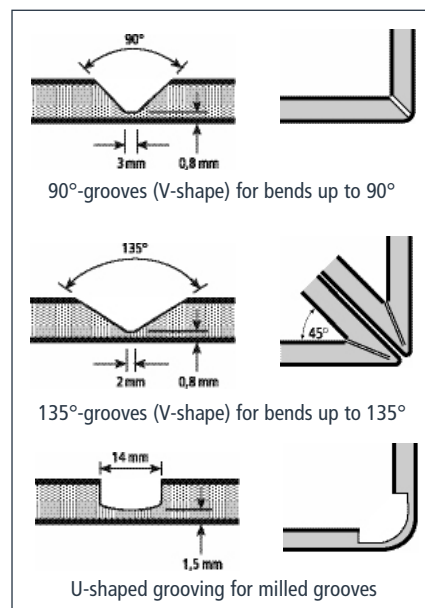


Many jobs require grooving or routing work. The CONTROL can perform such tasks without any problems. You can route or groove timber products and composite panels.

With regard to adjustable grooving tools and composite panel cutters, the CONTROL only requires one depth stop. Any risk of confusion is thus eliminated.



The depth stop is infinitely adjustable using a scalable handwheel (up to 25 mm).



■ **SSD – saw motor**

Particularly recommended if different materials are frequently processed: SSD – the saw motor with infinitely variable speed.

■ **The range of CONTROL accessories**

- 4SB – Automatic bottom trimming
- ABO – Automatic top trimming
- EPS – Electronic positioning system (both axes)
- VSA – Scoring saw unit
- WSG – Angle cutting unit
- NVV – Grooving accessory for composite panels and adjustable grooving tool
- "High-End" central support
- Paper holder
- Cutting depth 100 mm
- Saw motor with 2 speeds
- Special voltage
- Tropical insulation

**CONTROL****EVOLUTION****STANDARD****COMPACT**

# Impressive: CONTROL data and dimensions

Simply premium class: fully-automatic sawing sequence, maximum precision for the sizing cut, "touch & saw" – the easiest operation of a vertical panel saw, maximum convenience and a comprehensive range of accessories.

The CONTROL – the vertical panel cutting centre.

<b>CONTROL</b>								
Type	Dimensions in mm					Cutting range in mm		
	L	H*	H**	D1*	D2*	L	Hvert	Hhor
6224	7,161	3,035	3,018	1,741	1,361	5,300	2,240	2,100
6216	7,161	2,951	2,934	1,700	1,354	5,300	2,160	2,016
6168	7,161	2,477	2,460	1,500	1,312	5,300	1,680	1,540
5224	6,161	3,035	3,018	1,741	1,361	4,300	2,240	2,100
5216	6,161	2,951	2,934	1,700	1,354	4,300	2,160	2,016
5168	6,161	2,477	2,460	1,500	1,312	4,300	1,680	1,540
4224	5,161	3,035	3,018	1,741	1,361	3,300	2,240	2,100
4216	5,161	2,951	2,934	1,700	1,354	3,300	2,160	2,016
4168	5,161	2,477	2,460	1,500	1,312	3,300	1,680	1,540
<b>CONTROL</b>								
Weight of the saw	approx. 1,200 kg		Saw blade speed		4,800 rpm			
Cutting depth	80 mm* <sup>2</sup>		2 extraction connectors		Ø 100 mm			
Saw motor rating	5,5 kW		Compressed air connection		6-10 bar			
Saw blade diameter	300 mm		Wattage		7,5 kW			
Saw blade bore	30 mm* <sup>1</sup>		Mains connection		3 x 400 V/50 Hz			
Emission sound pressure level at the workplace L <sub>pA</sub>			83 dB* <sup>3</sup>					
Special voltages and special frequencies on request								

H\* with EPS.y · H\*\* without EPS.y · D1\* for free-standing installation · D2\* for wall-mounted assembly  
<sup>\*1</sup> with 2 side holes Ø 9 mm, radius 30 mm  
<sup>\*2</sup> option: 100 mm · <sup>\*3</sup> Measurement standards and emission values in accordance with EN 1870-14, measurement uncertainty allowance K = 4 dB(A)  
 (All details refer to the CONTROL type 6224)



The SWISS LABEL emphasises the origin and quality awareness of goods and services of Swiss origin. STRIEBIG AG is entitled to the use of this trademark.

Consultation · Sales · Service

Please refer to our website for the most current technical specifications of the COMPACT. Scan QR code. Done!



**CONTROL** – premium-class vertical cutting centre

Exceptionally efficient integral TRK dust extraction system\*\* . Dust limit value well below 1 mg/m<sup>3</sup>.

\*\*TRK is the abbreviation for „Technische Richt-Konzentration“ (technical target concentration). These values have been applicable since July 1988 and specify the maximum permissible wood dust concentration at the workplace. The TRK value is 2 mg/m<sup>3</sup> total dust based on a working average (shift) of 8 hours. Connection to an external dust extraction system is required. The system used must have an extraction performance of 20 m/sec. (vacuum approx. 2,000 Pa.) at the connector in order to meet the TRK specifications.

**Striebig AG**  
 Grossmatte 26  
 CH-6014 Luzern  
 Tel. 0041(0)41 259 53 53  
 Fax 0041(0)41 259 53 50  
 www.striebig.com  
 info@striebig.ch

