

Processing Center Optimat ABD 100



ABD 100

Horizontal drilling, gluing and dowelling with one machine

Horizontal drilling, gluing and dowelling in seconds

The **ABD 100** processes workpieces with impressive speed and precision.

With the **ABD 100**, processing centers can be utilised even more effectively. Increased productivity resulting in increased profits are achieved thanks to drilling, gluing and dowelling in a matter of seconds.

■ Addition to the processing center

Greater productivity for the company.

■ Stand-alone solution

The **ABD 100** can be used as a stand-alone, independent machine for horizontal drilling, gluing and dowelling.

■ No prescribed drilling or dowelling patterns

Construct according to the customer's requirements and not according to the machine capabilities.

■ Simple and rapid materials handling

Short distances and perfect ergonomics ensure that the user can work quickly and safely.

■ Effective working

Handling times are minimised and production times maximised.

■ No set-up times

React quickly to customer requirements and secure a competitive edge.

WORKPIECE DIMENSIONS

	min.	max.
Length	50 mm (2")	800 mm (31 1/2")
Width	20 mm (4/5")	1.250 mm (49 1/5")
Thickness	10 mm (2/5")	60 mm (2 2/5")

CONNECTION DATA

Supply voltage	3 x 400 V, 50 Hz
Connected wattage	approx. 7.4 kW
Extractor connection	1 x D 80
Extraction speed	min. 30 m/sec.
Compressed air supply	min. 6 bar
Compressed air connection	1 x 1"

TECHNICAL SPECIFICATION

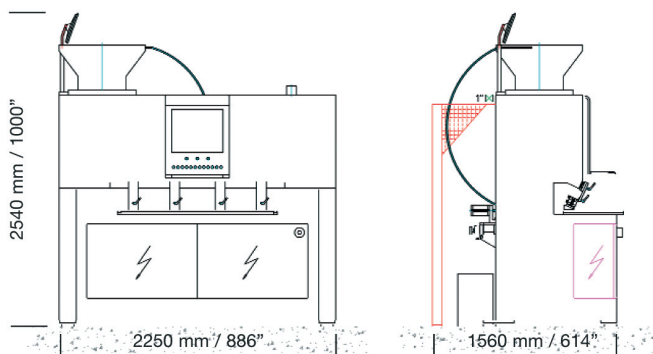
- 3 horizontal drill spindles
- 1 dowel driving device
- Standard dowel dimension: 8 mm diameter x 35 mm length
- Dowel tolerances:
 - +/- 0.2 mm for diameter;
 - +/- 1.0 mm for length
- Dowel adhesive: Glue or Water

OPTIONS

- Vertical drilling from above
- Positioning axis in Z direction
- Positioning axis in Y direction
- Drill gearbox with individually-selectable spindles
- 4 positioning sections
- Working range up to 2500 mm
- Glue control
- Special dowel dimensions

CONTROL

- PC control
- woodWOP software for easy programming
- Integration software for scanner connection
- Network connection
- PC modem for remote diagnosis



WEEKE Bohrsysteme GmbH
 Benzstraße 10-16
 33442 HERZEBROCK-CLARHOLZ
 GERMANY
 Phone: +49 5245 445-0
 Fax: +49 5245 445-139
 info@weeke.de
 www.weeke.com