

# Auto. Panel Saw

HIGH PERFORMANCE  
PRECISION  
SAFETY



HPS-10

For cross cut, automatic rip cut, easy to operation, extreme high accuracy panel dimensions, increase productivity significantly.....

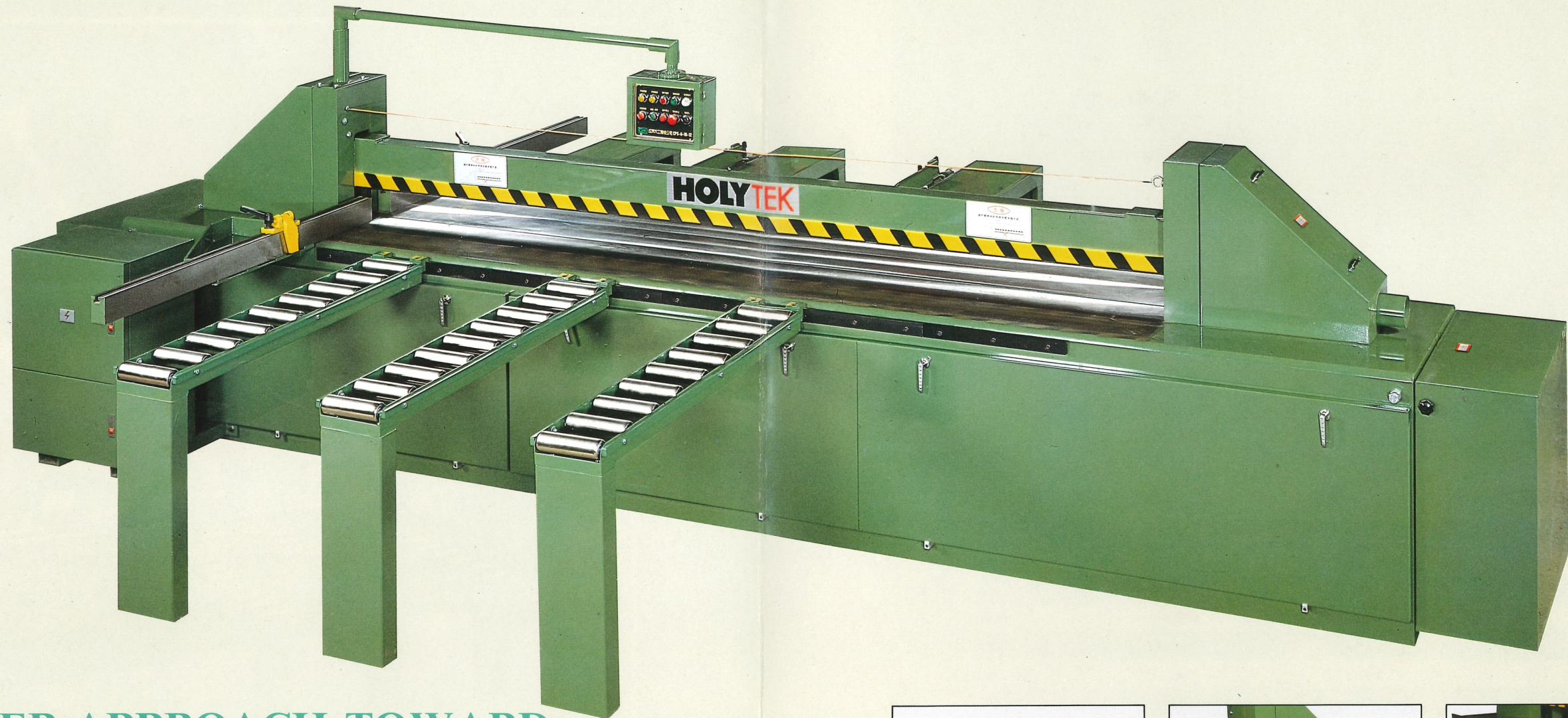
**HOLYTEK**



# HOLYTEK

ACCURATELY ENGINEERED COMBINED WITH MAXIMUM SAFETY MAKES HOLYTEK PANEL SAW

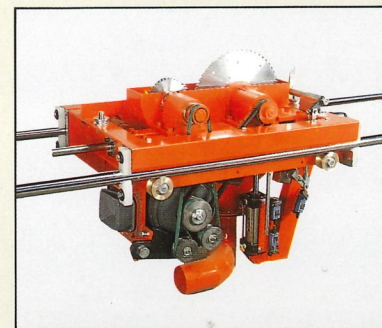
PRESENT DEPENDABLE CUTTING PERFORMANCE AT LOW COST



## A FASTER APPROACH TOWARD AUTOMATIC PANEL CUTTING!

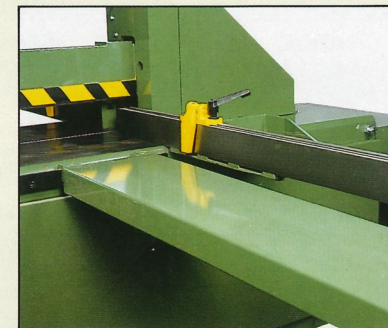
### QUALITY FEATURES:

- Precision ground guide rod. Made from medium carbon steel coated with hard chrome, provide smooth and accuracy travel.
- Vertical and lateral adjustment of scoring saw blade permits clean burrs.
- Saw unit feed has 3 speed adjustment and the return is accomplished in rapid traverse.
- Heavy gauge base frame and table rest is welded from cold rolling steel plate, offers rugged construction.
- "Follow-up" type dust collector system assures high efficiency for collection.
- Guide rod fitted with PU board to wipe off dust efficiently.
- Fast and convenient length adjustment with micrometric adjust ranging from 35 to 1200mm.
- Once the emergency stop button is depressed, or safety bar is actuated by operator's hand in an unsafe place, the saw operation immediately stop. Blade lowers under table, and pressure beam raise up to release the panel.
- Flexible saw stroke adjustment enable operator to select the desired stroke either full way or run out panel return depending on panel length to be cut. This reduce considerable cycle time.



### SAW CARRIAGE

- Saw carriage moves on hard chrome plated guide rods for accurate straight movement that guarantees the maximum cutting accuracy.
- Scoring blade may be easily adjusted for proper depth of cut.



### PRESET CUT OFF LENGTH

- A graduated rule is attached on cross cut fence for reading the length is being cut. Combined with a swing stop for cutting identical length in mass production.
- Quick action lever locks setting securely.



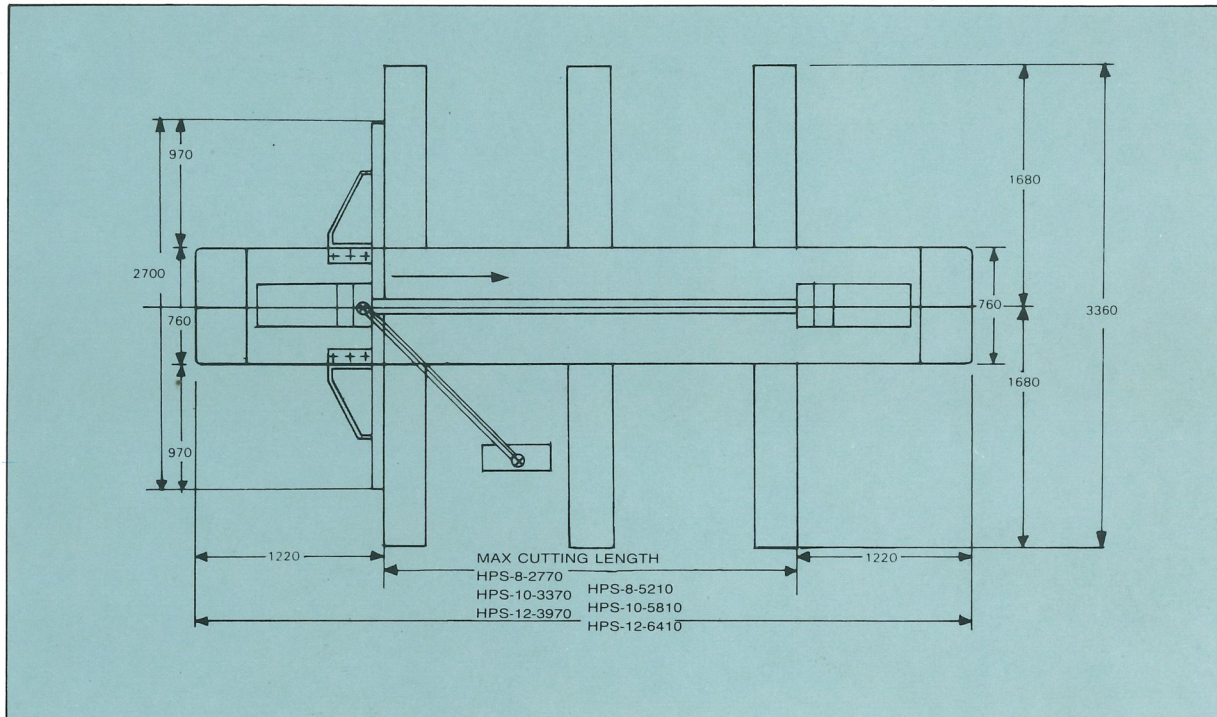
### EASY CONTROL RIP FENCE

- Rip fence may be micrometric adjusted, permitting fence locked rigidly and accurately parallel to the cutting track.



# HOLYTEK AUTO. PANEL SAW

## DIMENSIONAL DRAWING:



## SPECIFICATIONS

MODEL	HPS-8	HPS-10	HPS-12
Main motor	10HP	10HP	10HP
Feeding motor	2HP	2HP	2HP
Max. cutting length	2500mm	3100mm	3700mm
Max. cutting height	80mm	80mm	80mm
Main saw blade	14" Dia × 1" Ø	14" Dia. × 1" Ø	14" Dia × 1" Ø
Scoring saw blade	160mm Dia × 1" Ø	160mm Dia × 1" Ø	160mm Dia × 1" Ø
Main spindle speed	4400rpm	4400rpm	4400rpm
Scoring spindle speed	6400rpm	6400rpm	6400rpm
Feeding speed	10-15-20m/min	10-15-20m/min	10-15-20m/min
Floor to table height	820mm	820mm	820mm
Air compressor required	5.5kg/cm <sup>2</sup>	5.5kg/cm <sup>2</sup>	5.5kg/cm <sup>2</sup>
Machine size (mm)	5300 × 2700 × 1650	5900 × 2700 × 1650	6500 × 2700 × 1650
Packing size (mm)	5400 × 1000 × 1550	6000 × 1000 × 1550	6600 × 1000 × 1550
N.W./G.W.	2200/2600kgs	2350/2750kgs	2800/3200kgs

\* All specifications, dimensions and design characteristics shown in this catalogue are subject to change without notice

# HOLYTEK

**HOLYTEK INDUSTRIAL CORP.**

9F-1, NO. 400, SEC. 1, CHANG PING RD., TAICHUNG, TAIWAN, R.O.C.  
TEL:886-4-2452818(REP) FAX:886-4-2436928(REP)