

Efficiency through planning



Software: Cut Rite Version 10
2015/1

Intelligent communication: Cut Rite

The HOLZMA optimization software Cut Rite is used by thousands of companies, with more than ten thousand users located in over 70 countries. The name says it all: Cut Rite transforms slow panel cutting into a more efficient process that saves time and reduces wastage, saving a lot of money. The software offers compatibility with a vast range of machines from sliding table saws and CNC beam saws to routers and machining centers. At the heart of Cut Rite is its powerful optimization engine which has been developed and fine-tuned over the past 30 years and is supported by software modules for every part of your manufacturing operation.

Contents

- 04 Cut Rite – the most important features
- 06 Perfectly integrated in the overall process
- 08 Which Cut Rite edition is right for you?
- 10 Part library and label printing
- 11 Order processing and variable parts lists
- 12 CNC programming and linking
- 13 Destacking
- 14 Stock control
- 15 Saw? Nesting? Both? No problem!



Cut Rite – top features for your manufacturing process

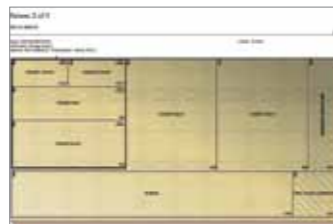
Comprehensive services for your competitive edge

HOLZMA supports you with an efficient team of developers and support technicians to ensure that Cut Rite propels you ahead. Our update and service contracts give you access to all the latest features and improvements, allowing you to extend your lead. Training for all products is provided by us or by certified partners. This shortens the start-up phase.



Rules editor for cutting lists

This editor allows you define rules for data handling and for automatic generation of data specifically to suit your manufacturing process. Key figures can then be calculated fully automatically in an instant.



Grain matching

Templates define the position of parts in the cutting pattern – either in order to achieve a uniform veneer pattern or to group narrow parts before edging.



The algorithm: default fast

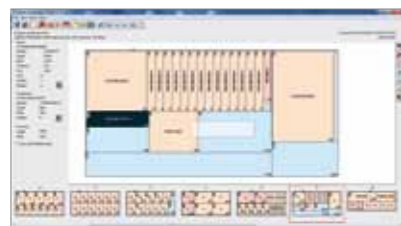
Cut Rite's calculating engine uses all your computer's processors. This increases the number of computing operations, achieving optimum results very quickly.



Your company – your overview

You decide what is important and configure the reporting options according to your needs: from the simple allocation of information to the standard summaries to configuration of your own reports and fully automatic calculation of additional data.

Furthermore, Cut Rite prepares all the data for label printing. You can then print the labels in the office (included as standard in Cut Rite) or optionally directly at the machine in time with the cuts.



Graphic cutting pattern editor

With other programs, you have to start again from the beginning if there is a change to the parts list, or if you want to cut an optimized pattern differently. With Cut Rite, you simply grab the mouse and enter the changes directly in the cutting pattern in a matter of seconds.



Calculating material and machine costs

A big advantage when preparing quotations: Cut Rite immediately indicates the material costs and calculates the machining time. You are able to calculate orders accurately and benefit from easier production planning.



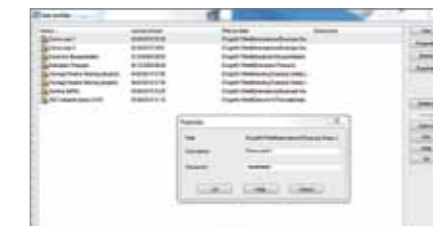
Integrated material database

Here you can set up data for all your panel materials, enter panel usage and register offcuts so that they can be used later. Connection to horizontal storage systems is child's play, thanks to modular extensions.



User-friendliness is key

Cut Rite has always had an outstanding reputation for ease of use. It features a modern interface, countless input aids and options for automating important processes.



User profiles

You can create a profile for each user – with password, paths and much more. Users immediately feel at home with the software and can use the functions they need.

Perfectly integrated in the overall process

Clearly structured and easy to use – that's Cut Rite's formula for your success. All the features that are important for your daily work are already included in Cut Rite LITE, PRACTIVE and PROFESSIONAL. The modular design allows you to add other options as and when you need them. Adding more options is possible at any time, as is increasing the number of licenses. The package is rounded off by the possibility of automating many functions, which reduces manual operation to a minimum.



Industry-standard software
Cut Rite is compatible with all common industry solutions. Parts list tables in PTX, CSV or XLS format can be transferred with all information at the touch of a button.

Customized parameters
You set the standards for your cutting process, not the software! Detailed parameter settings allow you to align the optimization results to your specific manufacturing process. All configuration options are graphically visualized and so easy to find and use. An intelligent, user-friendly Help system also provides support.

Tailored reporting
Reporting options can be configured to your requirements and all the results clearly portrayed. Key figures are instantly available.

Analog

Online

Nesting

Saw

Storage system

Labeling

Which Cut Rite edition is right for you?

CUT RITE	LITE	PRACTICE	PROFESSIONAL	NESTING
Parts list				
Metric or imperial (inch) dimensions	✓	✓	✓	✓
Grain lengthwise / crosswise / none	✓	✓	✓	✓
Exact quantities or over/under production	✓	✓	✓	✓
Maximum number of part sizes per part list	10,000	20,000	20,000	20,000
Unlimited number of materials per list	✓	✓	✓	✓
Information boxes	99	99	99	99
Configurable parts list	✓	✓	✓	✓
Import				
Import of parts lists / cutting lists from CSV or Excel XLS(X)	✓	✓	✓	✓
Import of board lists from CSV or Excel XLS(X)	✓	✓	✓	✓
Cutting list				
Configurable cutting list rules		✓	✓	✓
Different panel dimensions and quantities per optimization	✓	✓	✓	✓
Optimization				
Small / medium quantity optimizer	✓	✓	✓	✓
Cross cuts only optimizer (worktops etc.)	✓	✓	✓	✓
Large quantity optimizer			✓	✓
Optimization with automatic over production			✓	✓
Free headcut optimization			✓	✓
Optimization with priorities			✓	✓
Parameters for cutting pattern complexity	✓	✓	✓	✓
Parameters for saw blade / router and trim cuts	✓	✓	✓	✓
Settings for combiTec and HOMAG recuts unit			✓	✓
Waste optimization	✓	✓	✓	✓
Total costs optimization (material and cutting)			✓	✓
Extended computing time and advanced options			✓	✓
Open stacks limit			✓	✓
Optimization with parts groups			✓	✓
Maximum number of part dimensions per optimization	10,000	10,000	10,000	10,000
Maximum number of parts per optimization	10,000	10,000	any	any
Batch optimization up to 250 lists	✓	✓	✓	✓
Material and panel-dependent parameters		✓	✓	✓
Templates for continuous grain pattern		✓	✓	✓
Export				
Export summaries to Access	✓	✓	✓	✓
Export summaries to Excel XLS(X)	✓	✓	✓	✓
Export summaries to PDF	✓	✓	✓	✓
Export cutting patterns to DXF	✓	✓	✓	✓

CUT RITE	LITE	PRACTICE	PROFESSIONAL	NESTING
Summaries, labels and forms				
Batch and run summaries	✓	✓	✓	✓
Parts, boards, material and cutting pattern summaries	✓	✓	✓	✓
Offcuts summary	✓	✓	✓	✓
Weight calculation	✓	✓	✓	✓
Graphs and charts	✓	✓	✓	✓
Configurable summaries	✓	✓	✓	✓
Form designer for parts lists and cutting patterns	✓	✓	✓	✓
Label designer for texts, bar codes and graphics	✓	✓	✓	✓
Labels for parts and offcuts	✓	✓	✓	✓
Edging and laminating				
Calculation of unprocessed panel dimensions, cutting sizes and finished sizes	✓	✓	✓	✓
Calculation of edging lengths in meters or units	✓	✓	✓	✓
Graphic display of edging sequence	✓	✓	✓	✓
Calculation of processing time for edging	✓	✓	✓	✓
Determination of quantities and sizes of laminate	✓	✓	✓	✓
Calculation of costs for edging and laminate	✓	✓	✓	✓
Edging and laminate library	✓	✓	✓	✓
Stock				
Board library for unprocessed panels and offcuts	✓	✓	✓	✓
Automatic stock issue after optimization	✓	✓	✓	✓
Import of stock adjustment via file	✓	✓	✓	✓
Cutting patterns				
Graphic cutting pattern preview	✓	✓	✓	✓
Cutting pattern display with color palette or material grain	✓	✓	✓	✓
Cutting pattern editor – manual amendment of cutting patterns	✓	✓	✓	✓
Cutting pattern and template library		✓	✓	✓
Cutting instructions for saw operator	✓	✓	✓	✓
Other functions				
File management – copying and deleting data	✓	✓	✓	✓
Backup and recovery	✓	✓	✓	✓
Integrated help	✓	✓	✓	✓
Link to website	✓	✓	✓	✓
User profiles	✓	✓	✓	✓
Transfer to saw				
Calculation of cutting time		✓	✓	✓
Interface – HOLZMA single saws with CADmatic 4	✓	✓	✓	✓
Interface – HOLZMA single saws		✓	✓	✓
Interface – HOLZMA angular saws			✓	✓
Interface – HOMAG and WEEKE CNC				✓
Transfer parameters		✓	✓	✓
Saw interface – PTX format		✓	✓	✓
Stress elimination cuts		✓	✓	✓

Part library and label printing

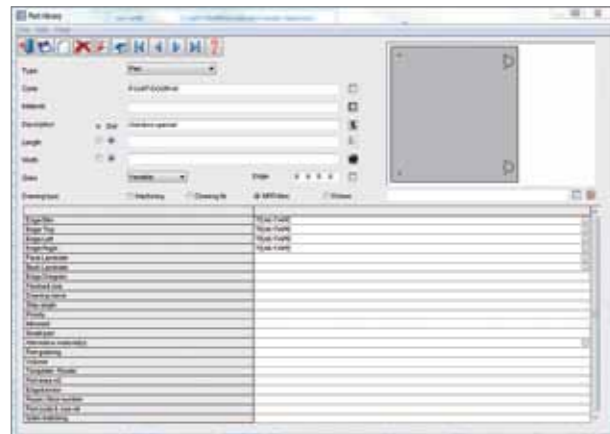
For better management and tracking of parts

This module helps you gear up for production faster by instantly generating data for all your most frequently used parts. Simply by using just the part codes to pull items into a parts list, you can enter cutting lists quickly and accurately and create factory route cards at the press of a button, speeding up production.



Features and benefits

- The part library can hold details of size, material, grain and edging, as well as plenty of user-defined information for each part.
- You can generate detailed labels with multiple bar codes and graphics – for fast setup of CNC machines equipped with bar code scanners.
- The library can also hold a list of regularly used hardware components such as hinges, screws and drawer slides with their costs.
- The part dimensions and other fields may be parametric and specified at order entry if required.
- Labels can be printed in the office in the sequence of cutting, or printed on demand at the saw.
- A list of operation times can be held for each part and be used to build up a full part cost.



Order processing and variable parts lists

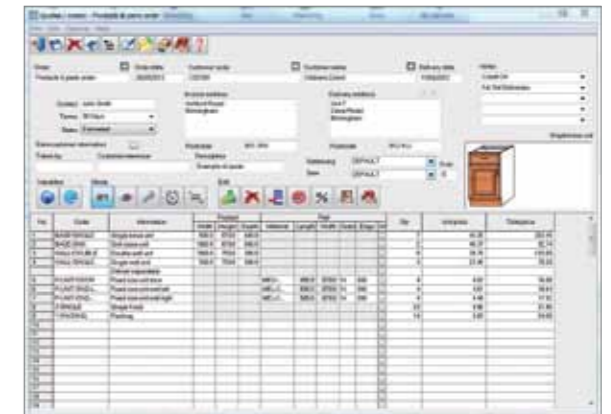
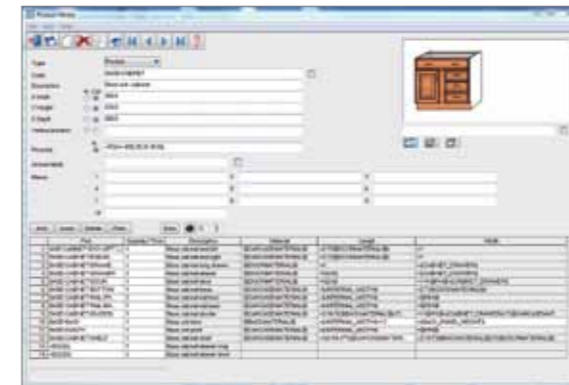
For fast response to inquiries and orders

This module helps you create accurate quotations and process orders quickly and easily. The parametric product library allows Cut Rite to detail any job, including standard or custom products, parts, hardware and operations. You will only need to enter your data once to produce order acknowledgments, dispatch notes, invoices and a complete calculation of all costs.



Features and benefits

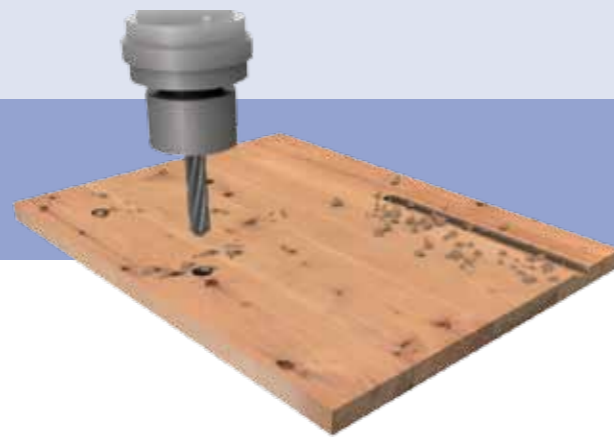
- Customer database with full contact details, invoicing address, multiple delivery addresses, discounts and free-format notes fields.
- User-defined product 'variables' take account of order-based requirements such as material color and thickness, and hardware options.
- Flexible form designer allows tailor-made documents to include company logo, graphics and bar codes with full control of font and positioning.
- Use of formulae and user-defined tables enables automatic calculation of component sizes for special cabinets, and allows parametric pricing.
- You can attach image files (BMP, EMF, etc) or use Cut Rite's own drawing library to add drawings to your product catalog.
- At the touch of a button, you can obtain a picking list with the calculation of sundry part sizes such as solid lipping or bought-out items.



CNC programming and linking

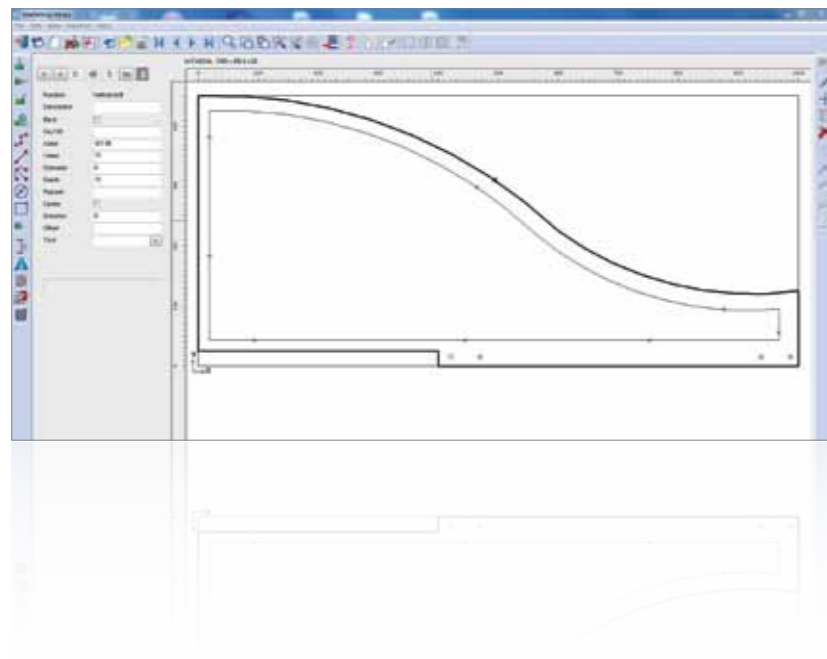
For fast setup of your CNC machines

To streamline production into a seamless highly efficient and accurate process, simply choose this module. It creates a fully integrated manufacturing cell by downloading part drawings directly to your point-to-point machining center. Parts are labeled at the saw with a bar code for the drawing reference; scanning at the machining center provides a foolproof and fast process that guarantees each part is machined correctly.



Features and benefits

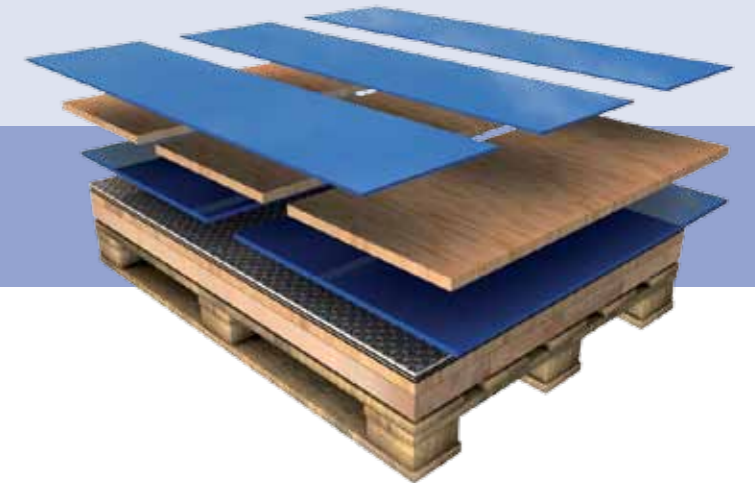
- The geometry for rectangular or shaped parts can be drawn quickly using the editor, or can be imported from DXF files.
- The machining library holds parametric drawings so that as the part size changes, the machining instructions are recalculated instantly.
- The module offers support for drilling, grooving, contour routing, operations on both sides of part, vacuum pod positions, dimension lines and pockets.
- Details of depths and tooling information can be added for each operation, including tool speeds, tool path compensation and other tool-specific data.
- The machining interface allows direct transfer of data to most CNC-controlled machining centers via DXF and proprietary formats.
- Labels or route sheets can include the part drawing.
- Machining times can be estimated for each part.
- If used alongside woodWOP, all MPR programs can be used and also transferred to the CNC machine.



Destacking

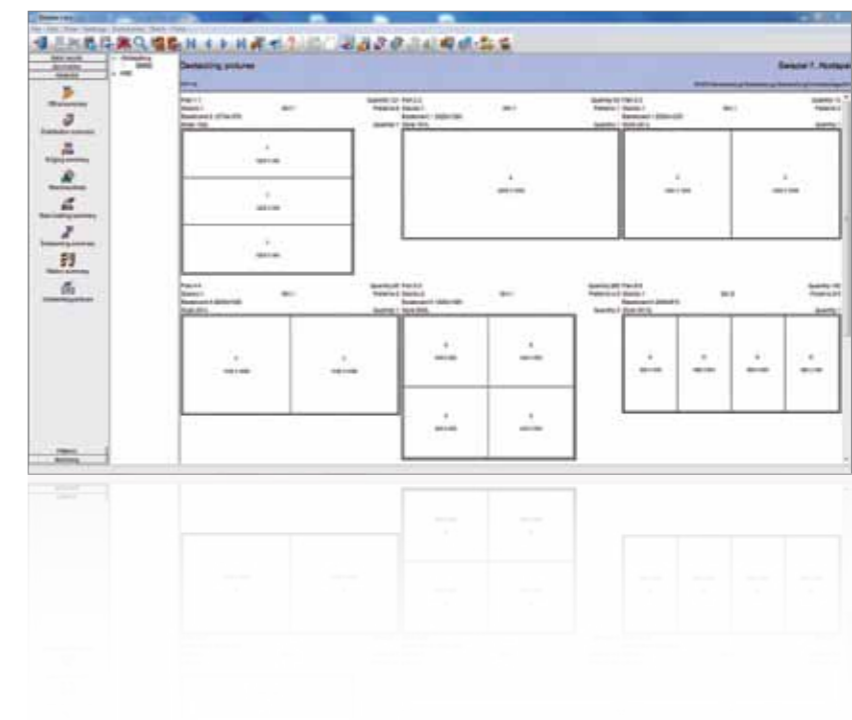
Efficient destacking and faster through flow

You can keep production running smoothly by using the destacking module, which streamlines through flow at the saw by planning the destacking process. It gives you a list of pallet requirements or a baseboard cutting list and, based on the size of your mechanized destacking stations, will limit the number of open parts, ensuring finished items go to assembly as quickly as possible.



Features and benefits

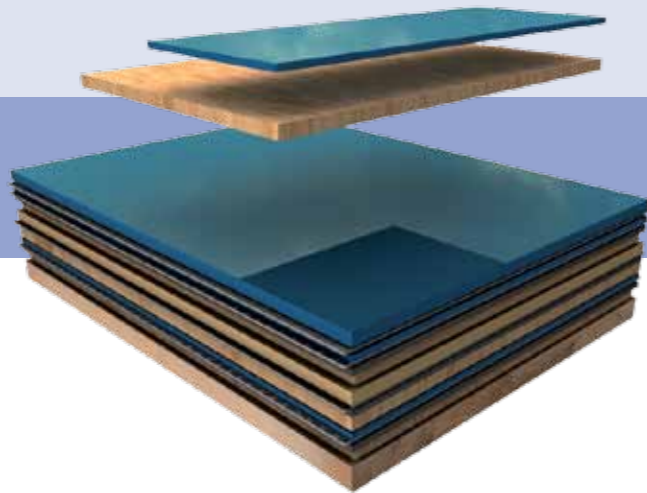
- A station report provides information for conveying parts to the correct pallets or baseboards in the destacking area.
- The module calculates a cutting list for baseboards from the part sizes allowing for oversize allowance, layout constraints and maximum stacking height.
- A destacking summary shows the operator, pattern by pattern, on which pallet each part must be placed.
- The layout of parts on each pallet or baseboard can be downloaded to automatic destacking equipment.
- You can print labels for pallets or stacks when used with the "part library and label printing" module.
- The destacking module includes an advanced optimizing algorithm which obeys maximum station sizes when allocating parts to stations.



Stock control

For accurate and efficient inventory management

This invaluable module protects your profit margin by minimizing downtime due to lack of stock. How? By helping you accurately track your raw materials and by adding offcuts back to stock. This ensures no reusable material is wasted, so you systematically increase material yield. Panels can be allocated to jobs in advance so that you do not optimize the same offcut on different jobs.



Features and benefits

- This module helps you check stock levels, record raw material orders and book in receipts from your suppliers.
- It considers available free stock (physical stock less allocations) and automatically adjusts stock after cutting.
- Configurable reports include stock valuation, minimum stock levels, monthly summary of stock usage and an audit trail of all stock movements.
- It automatically updates both core material and laminate stock, when you laminate complete panels prior to cutting.
- Physical stock control of hardware and edge banding material – only when used in conjunction with the “order processing and variable parts lists” and “edging and laminating” modules.
- Interface to automatic storage handling systems for synchronization of panel and offcut stock via SQL Server database.

Date	Transaction Number	Transaction Type	Transaction Text	Reference	Qty
29-Jul-18	1	01	Opening balance	SLE-GLOSS 19MM	+142
30-Jul-18	72	01	Adjustment	CVA-Erbs boards	+15
					152
8-Sep-18	86	01	Opening balance	CHERRY-GLOSS 19MM	+10
					80
29-Jul-18	2	01	Opening balance	CHFBORD-19MM	+100
29-Jul-18	42	01	Issue	OSW6 Flvsk 20	-2
30-Jul-18	87	01	Issue	OSW6 Flvsk 21	-2
30-Jul-18	73	01	Adjustment	CVA-Erbs boards	+11
4-Aug-18	89	01	File	Stock_update.txt	+20
					337
1-Sep-18	92	01	Opening balance	EBONY-MCF 19MM	+141
					141
29-Jul-18	3	01	Opening balance	#CHRY-LAM 19MM	+100
4-Aug-18	81	01	File	Stock_update.txt	+30
					890
29-Jul-18	4	01	Opening balance	GREEN-GLOSS 19MM	+11
					32
29-Jul-18	5	01	Opening balance	HARDBORD-4MM	+810
29-Jul-18	46	01	Issue	OSW6 Flvsk 20	-7
30-Jul-18	88	01	Issue	OSW6 Flvsk 21	-2
30-Jul-18	76	01	Adjustment	FLA-Restore damaged board	-8
					787
8-Sep-18	87	01	Opening balance	MAPLE-LAM 19MM	+10
1-Sep-18	94	01	File	MAPLE-MCF 19MM	+1
					11
29-Jul-18	6	01	Opening balance	MED-CELFINE 19MM	+1017
29-Jul-18	50	01	Issue	OSW6 Flvsk 20	-6
30-Jul-18	88	01	Issue	OSW6 Flvsk 21	-2
30-Jul-18	76	01	Adjustment	FLA-Restore damaged board	-8
					1011
29-Jul-18	47	01	Issue	OSW6 Flvsk 20	-1
29-Jul-18	48	01	Issue	OSW6 Flvsk 21	-1
29-Jul-18	49	01	Issue	OSW6 Flvsk 22	-1
29-Jul-18	50	01	Issue	OSW6 Flvsk 23	-1
29-Jul-18	51	01	Issue	OSW6 Flvsk 24	-1
29-Jul-18	52	01	Issue	OSW6 Flvsk 25	-1
29-Jul-18	53	01	Issue	OSW6 Flvsk 26	-1
29-Jul-18	54	01	Issue	OSW6 Flvsk 27	-1
29-Jul-18	55	01	Issue	OSW6 Flvsk 28	-1
29-Jul-18	56	01	Issue	OSW6 Flvsk 29	-1
29-Jul-18	57	01	Issue	OSW6 Flvsk 30	-1
29-Jul-18	58	01	Issue	OSW6 Flvsk 31	-1
29-Jul-18	59	01	Issue	OSW6 Flvsk 32	-1
29-Jul-18	60	01	Issue	OSW6 Flvsk 33	-1
29-Jul-18	61	01	Issue	OSW6 Flvsk 34	-1
29-Jul-18	62	01	Issue	OSW6 Flvsk 35	-1
29-Jul-18	63	01	Issue	OSW6 Flvsk 36	-1
29-Jul-18	64	01	Issue	OSW6 Flvsk 37	-1
29-Jul-18	65	01	Issue	OSW6 Flvsk 38	-1
29-Jul-18	66	01	Issue	OSW6 Flvsk 39	-1
29-Jul-18	67	01	Issue	OSW6 Flvsk 40	-1
29-Jul-18	68	01	Issue	OSW6 Flvsk 41	-1
29-Jul-18	69	01	Issue	OSW6 Flvsk 42	-1
29-Jul-18	70	01	Issue	OSW6 Flvsk 43	-1
29-Jul-18	71	01	Issue	OSW6 Flvsk 44	-1
29-Jul-18	72	01	Issue	OSW6 Flvsk 45	-1
29-Jul-18	73	01	Issue	OSW6 Flvsk 46	-1
29-Jul-18	74	01	Issue	OSW6 Flvsk 47	-1
29-Jul-18	75	01	Issue	OSW6 Flvsk 48	-1
29-Jul-18	76	01	Issue	OSW6 Flvsk 49	-1
29-Jul-18	77	01	Issue	OSW6 Flvsk 50	-1
29-Jul-18	78	01	Issue	OSW6 Flvsk 51	-1
29-Jul-18	79	01	Issue	OSW6 Flvsk 52	-1
29-Jul-18	80	01	Issue	OSW6 Flvsk 53	-1
29-Jul-18	81	01	Issue	OSW6 Flvsk 54	-1
29-Jul-18	82	01	Issue	OSW6 Flvsk 55	-1
29-Jul-18	83	01	Issue	OSW6 Flvsk 56	-1
29-Jul-18	84	01	Issue	OSW6 Flvsk 57	-1
29-Jul-18	85	01	Issue	OSW6 Flvsk 58	-1
29-Jul-18	86	01	Issue	OSW6 Flvsk 59	-1
29-Jul-18	87	01	Issue	OSW6 Flvsk 60	-1
29-Jul-18	88	01	Issue	OSW6 Flvsk 61	-1
29-Jul-18	89	01	Issue	OSW6 Flvsk 62	-1
29-Jul-18	90	01	Issue	OSW6 Flvsk 63	-1
29-Jul-18	91	01	Issue	OSW6 Flvsk 64	-1
29-Jul-18	92	01	Issue	OSW6 Flvsk 65	-1
29-Jul-18	93	01	Issue	OSW6 Flvsk 66	-1
29-Jul-18	94	01	Issue	OSW6 Flvsk 67	-1
29-Jul-18	95	01	Issue	OSW6 Flvsk 68	-1
29-Jul-18	96	01	Issue	OSW6 Flvsk 69	-1
29-Jul-18	97	01	Issue	OSW6 Flvsk 70	-1
29-Jul-18	98	01	Issue	OSW6 Flvsk 71	-1
29-Jul-18	99	01	Issue	OSW6 Flvsk 72	-1
29-Jul-18	100	01	Issue	OSW6 Flvsk 73	-1

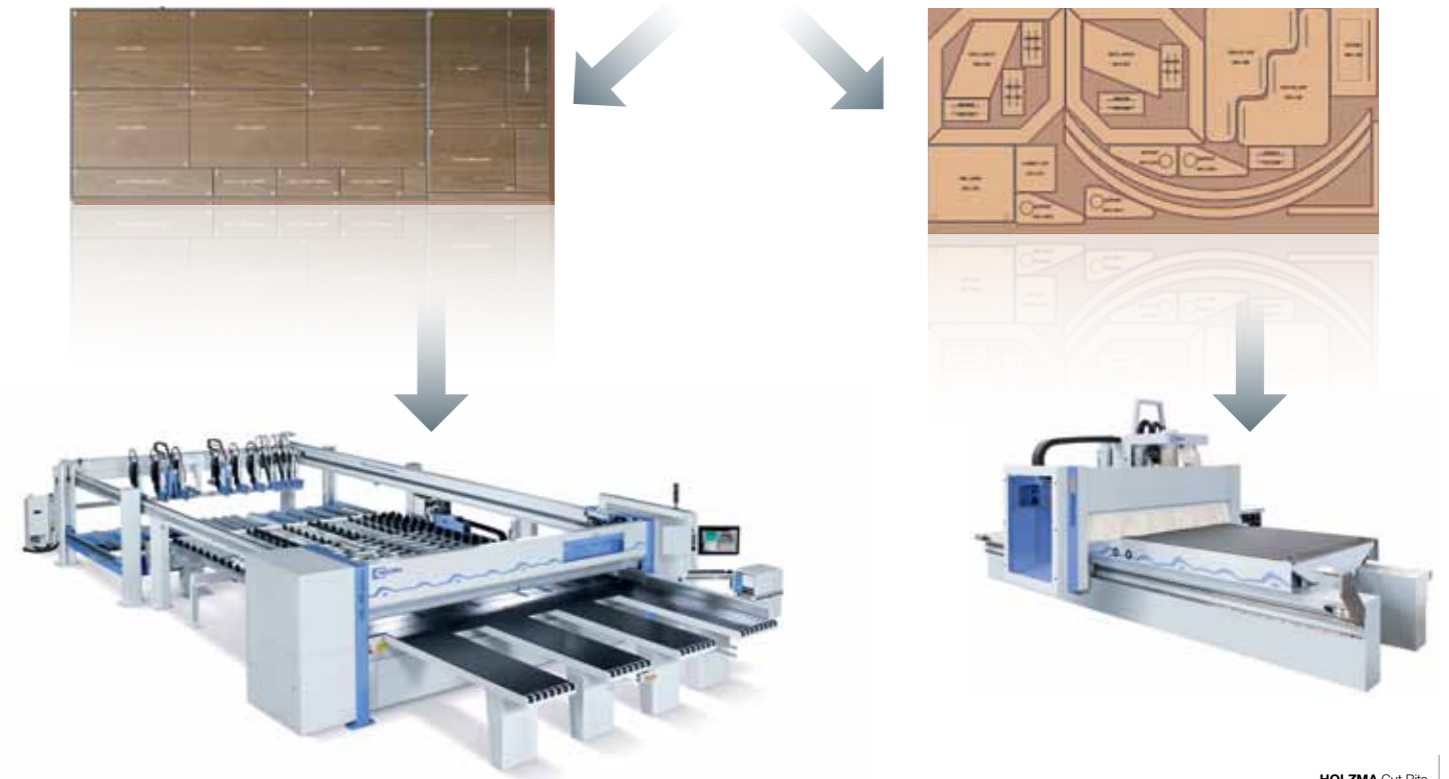
Saw? Nesting? Both? No problem!

You know which machine is best for you. Cut Rite gives you the flexibility to choose, because it is able to supply both cutting systems with data concurrently. Cut Rite recognizes from the parts lists which machine you want to use and generates the appropriate data for each part. You can create the contour elements for each part as MPR file (e.g. with woodWOP), use DXF data, or program them directly in Cut Rite. If only rectangular parts are to be cut on a saw or CNC machine, a simple parts list without individual part programs is sufficient.

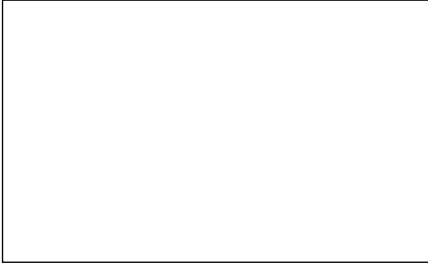


Parts list

- Manual input
- Insert woodWOP files
- Insert from part library
- Insert DXF
- Import from CSV, Excel,... with up to 50 variables
- Edit and modify the list at will



This brochure was given to you by:



**Choose the Original
Choose Success!**

For the Success of Original Technology
A VDMA Campaign

Printed 09/15. Part number 4-099-70-0162
Subject to technical change without notice. Misprints and errors excepted.
Illustrations may show optional equipment.

A company of the HOMAG Group



HOLZMA Plattenaufteiltechnik GmbH

Holzmastrasse 3
75365 CALW-HOLZBRONN
GERMANY

Tel. +49 7053 69-0
Fax +49 7053 6174
info@holzma.de
www.holzma.com

www.youtube.com/holzma
www.twitter.com/holzma
www.facebook.com/holzma