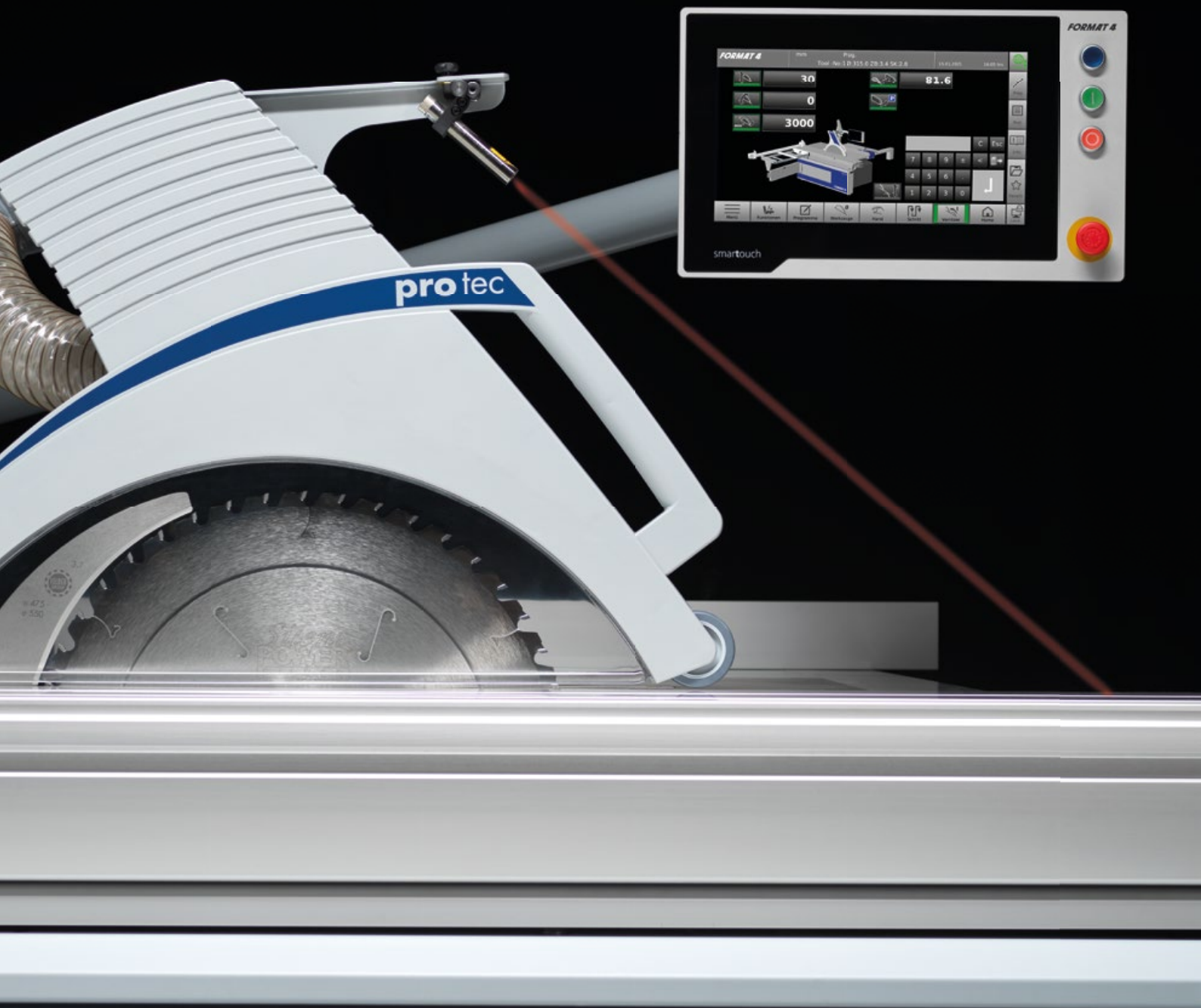


FORMAT 4®

kappa 550

WAY AHEAD OF THE GAME



FORMAT 4®



kappa 550

FORMAT 4

ROLL

pro tec

Strong. Smart. Safe.

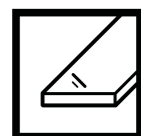
The new edition of the successful top model sliding table panel saw



Solid wood



Panel material



Plastic



Aluminium



Design, precision, automation and safety put in a nutshell in the smartest of ways. For more than a decade, the kappa 550 has been the first choice for sliding table panel saws and in its new edition it continues to be right at the cutting edge. Individual specifications, an intelligent operating concept and numerous new impressive Format4 features ensure maximum efficiency and a noticeable increase in productivity.

The e-motion features of the Format4 kappa 550 impress with an automatic rip fence, unlimited tool storage and programmable cutting sequences in the smart, in-house software. All axes of the machine can be controlled ergonomically and intuitively by the central operating unit with 15"-touch screen.

The Format4 premium sliding table saw kappa 550 is also the world's first sliding table saw with the revolutionary PCS®.

FORMAT 4®

Variations

Models & Your Advantages



kappa 550 e-motion

High-precision premium sliding table panel saw with 202 mm cutting height and patented "X-Roll"® sliding table as well as the worldwide unique PCS® safety system.

The e-motion equipment convinces with controlled rip fence, unlimited tool storage spaces and programmable cutting sequences on a 15" touch screen.



kappa 550 x-motion

High-precision premium sliding table panel saw with 202 mm cutting height and patented "X-Roll"® sliding table as well as the worldwide unique PCS® safety system.

The x-motion equipment include a controlled rip fence, 9x99 tool storage spaces and programmable cutting sequence on a 10.1" touch screen.



kappa 550

High-precision premium sliding table panel saw with 202 mm cutting height and patented "X-Roll"® sliding table for cutting lengths up to 3700 mm as well as the worldwide unique PCS® safety system

FORMAT4 Premium Machines for Premium Requirements

- » Constantly high performance in industrial continuous operation
- » Customer specific optimised production solutions
- » Solid design with premium components
- » Wide range of configuration packages with high-tech solutions
- » Complete engineering precision
- » Premium user comfort
- » Quality and precision from AUSTRIA
- » Uncompromised productivity
- » Perfect service package before, during and after the purchase
- » Tailor made financing solutions
- » Mechanical engineering experience since 1956

The most important highlights at a glance



FORMAT4
Highlight

Smartouch control

Intuitive operation via 15" smartouch control with state-of-the-art capacitive touchscreen.

- » Tool database (incl. scoring unit position on the 2 axes scoring unit and scoring unit Control)
- » Cutting programs (general)
- » Storage of the last five values entered
- » Import and export of the tooling database, program storage
- » Remote maintenance via Teamviewer
- » Park position (rip fence, scoring unit control)
- » Incremental adjustment of the axes
- » Many cutting programmes
- » Processing cutting plans of a cutting optimisation software



FORMAT4
Highlight

High positioning speed

Simultaneous 3-axis positioning – saves time up to 50% compared to other premium manufacturers



FORMAT4
Highlight

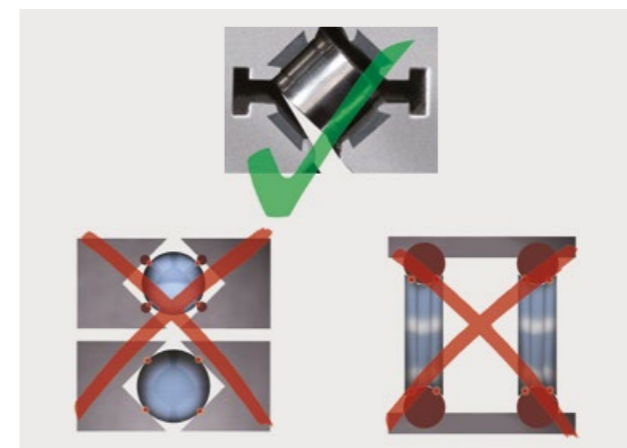
"Easy Glide" – tilting of the aggregates without lubricants or maintenance

The circular saw unit is swivelled using the tried-and-tested Format4 "Easy Glide" swivel segment guide. The "sliding shoe guides" on the large-sized swivel segments are made of a synthetic, wear-free high-performance material, which is dust-resistant and requires neither maintenance nor lubrication.

On the "Easy Glide" system have a 6 year guarantee!



FORMAT4
Highlight



Sliding table "X-Roll"

The X-shaped arrangement of the hardened steel rollers distributes the occurring pressure load optimal in all directions.

There is no point loading, the guide system is extremely smooth-running and durable.

The Felder "X-Roll" Sliding table comes with 10 year factory warranty!



FORMAT4
Highlight

WORLD FIRST: PCS® – Preventive Contact System

Serious accidents on sliding table saws are a thing of the past – PCS is currently the fastest, non-contact triggering safety device in the world.

- » PCS detects accident hazards before contact with the saw blade.
- » PCS eliminates the hazardous situation in milliseconds.
- » PCS is 100% safe against damage to machine and saw blade.
- » PCS allows safe operation close to the saw blade.
- » PCS supports groove cuts.
- » PCS is ready to be used again at the push of a button.
- » PCS requires no additional maintenance and cleaning cycles.
- » PCS works without additional external energy sources and without external sensors or video systems.
- » PCS is resistant to dust and dirt.

PCS® does not replace any of the statutory protective devices. According to regulations, the machine must be operated with splitter and sawguard.



FORMAT4
Highlight

Always at hand & clearly visible – front tool compartment with LED

Upon request, we will equip your kappa with LED lighting and an integrated tool compartment for 4 saw blades with a max. diameter of 400 mm, 1 saw blade with a max. diameter of 550 mm plus 2 riving knives.

Details



Intuitive „smartouch“ control with touch screen

Control systems
 kappa 550 x-motion: 10" Touchscreen*
 kappa 550 e-motion: 15" Touchscreen

The central operating unit with touch screen provides ergonomic and intuitive control of all the machine's axes. The in-house software with graphical user interface, a multitude of programs, a USB interface and the prepared network connection make work easier and guarantee efficiency and productivity. The USB interface for importing and exporting data is prepared for network connection and remote maintenance.



kappa 550 controls

CNC drive control with red LED indicators, blade height and angle positioning control with automatic cutting height adjustment during tilting. All possible functions also available in touch control mode. Includes LED display for the selected speed as well as 50 tool database memory spaces.

Program storage:

- » Tool database (incl. scoring unit position on the 2 axes scoring unit and scoring unit Control)
- » Cutting programs (general)
- » Programs for each function
- » Storage of the last five values entered
- » Import and export of the tooling database, program storage
- » Remote maintenance via Teamviewer

Functions:

- » Park position (rip fence, scoring unit control)
- » Movement of the axes in jogging mode
- » Incremental movement of the axes
- » Calculator
- » Administrator functions

Cutting programmes / outrigger table functions / crosscut fence:

- » Mitre
- » Compound Mitre Cut (except with controlled crosscut fence)
- » Processing cutting plans of a cutting optimisation software
- » Mitre cut

Cutting programmes / functions in connection with an automatic rip fence:

- » Rebates
- » Groove
- » Rows of grooves
- » Bevel cut
- » Diagonal cut plus

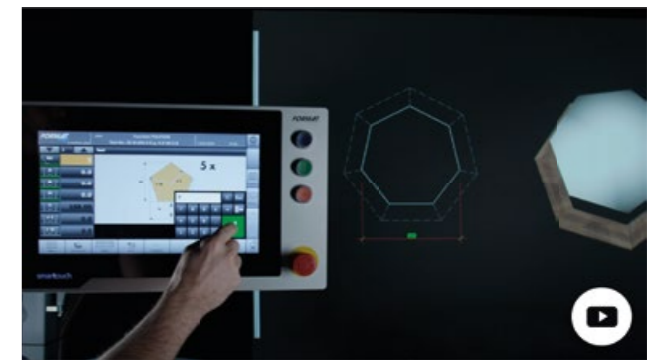
(*Position controlled rip fence option)

FORMAT 4®



Control extension "e-motion plus"

Upon request, the "smartouch" machine control system can be extended with numerous other programs for geometric functions: knee bar, parallelogram, trapezoid, polygon, staircase, triangle, pyramid, cuboid, slots / tenon, corner bench rest

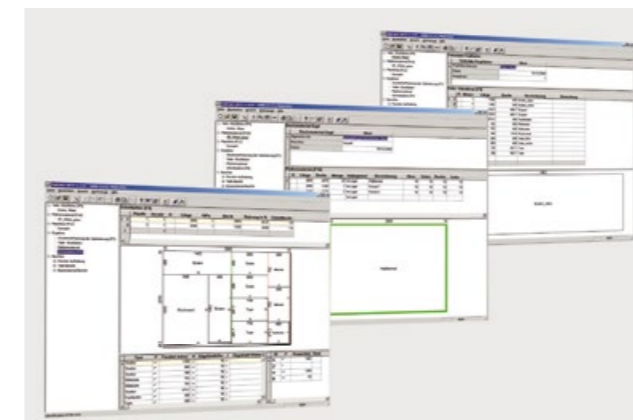


Video tutorials: Preset cutting programs

Every cut with the Format4 sliding table saw is a masterpiece of precision. For example, when cutting a pyramid, which is one of 18 predefined cutting programs.

Rabbets, grooves, notches, wrong mitre, rafter cut and various geometric shapes, in short videos we show you how it works: Enter workpiece shape and workpiece dimensions on the touch screen, follow the visual cutting plan – done.

**Please note that some of the cutting programmes shown are not possible on machines without double tilt.*



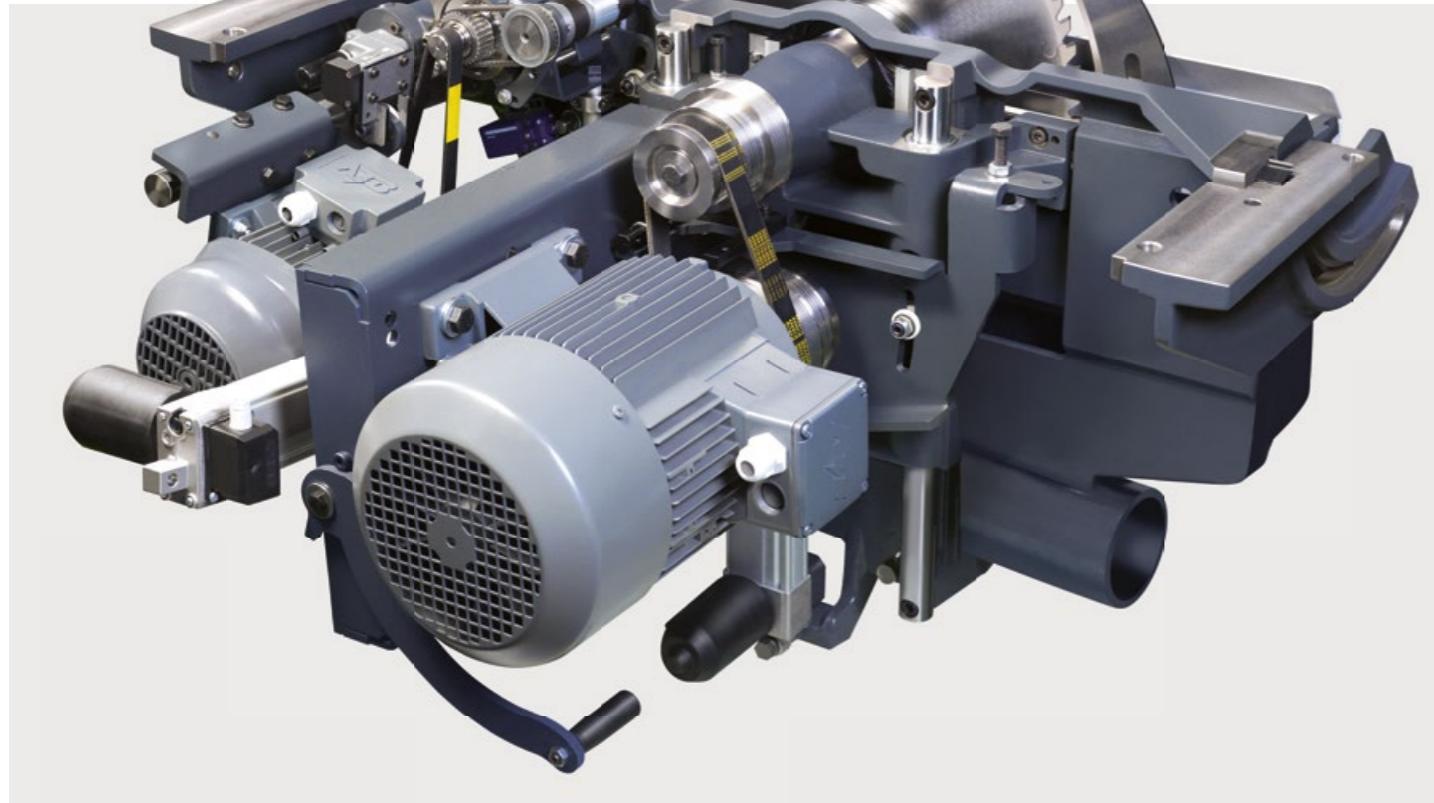
Ardis Cutting Optimisation Software

Thanks to the integration of the Format4 cutting optimisation programme into the machine and operating concept, all work steps can be carried out efficiently and quickly from one central location. Thanks to the easy handling and the clear, user-friendly display, no training is necessary.



Label printer

Not only does the label printer enable the workpieces to be labeled correctly, it also enables a logical post-processing. For example, programs for successive work processes on CNC machines and edgebanders will be imported from the barcode scanner. Save valuable production time with the label printer and increase productivity, quality and as a result, your profit.



The Saw Unit «200»

The time-tested, cast iron Format4 TOP unit offers not only maximum power and precision, but also extreme smooth running and efficiency:

- » 3-axis "Control" scoring unit
- » Scoring unit park position
- » Sensational: saw blade change without tools
- » Large cutting depth, even with a scoring unit
- » Spraying unit for processing non-ferrous metals and plastics
- » Tilt segment "Easy-Glide" for circular saw unit
- » Saw blade tilt 0°-46°
- » Oversized saw arbor with double trunnions

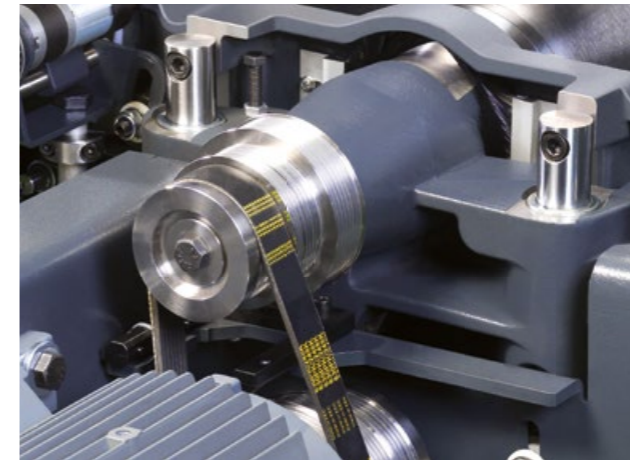


Spraying unit for processing non-ferrous metals and plastics

For the machining of non-ferrous metals or plastics, your Format4 can be equipped with a spraying unit. High performance lubricating oil can be sprayed directly onto the saw blade, transported via piping from the spraying unit.

Grooving work

Thanks to the removable circular saw flange and table insert, adjustable dado tools up to 19.5 mm can be used.



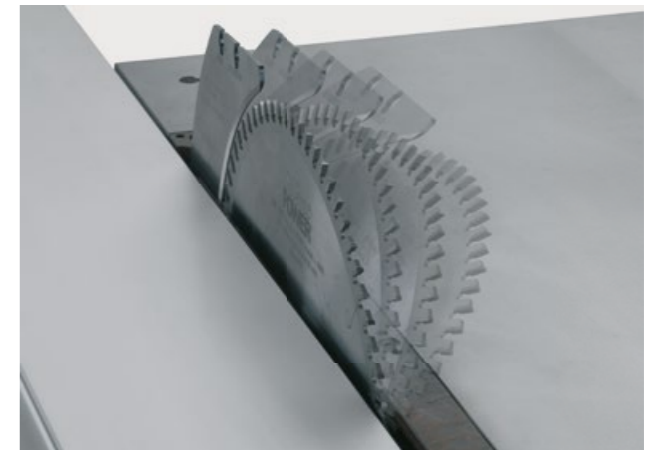
Oversized saw arbor with double trunnions

- » Absolute vibration-free machining
- » Incredible power transmission due to the ultra efficient Poly-V-belt drive technology
- » By default: Speeds 3000/4000/5000 rpm, 2800 and 4000 rpm in case of 15 kW motorisation.
- » On request: continuously variable speed 2000-6000 rpm



Extreme cutting height

With a cutting height of 202 mm, the kappa 550 overcomes the limitations in your workshop. These are the new, extraordinary values in the premium class of sliding table panel saws!



Saw blade tilt 0°-46°

146 mm cutting height at 45° – this turns mitre cuts of oversized workpieces into a "piece of cake".



Tool-free saw blade change "Easy-Lock" – only with Format4!

The clamping system is completely maintenance-free and offers premium comfort for many years: Effortlessly change saw blades and riving knives literally in the blink of an eye.



Simple, safe & quick – "Quick-lock" saw blade clamping

Quick and easy blade change with only one tool, thanks to the "Quick-Lock" system.



**The Scoring Unit.
Powerful and efficient.**

Choose from four types of absolutely powerful scoring saw units:

- » "Classic" with a scoring blade Ø 120/125 mm
- » "Automatic" with automatic raising and lowering
- » "2-axis controlled", height and lateral position
- » "Control", with 3 controlled axes (height, width, lateral offset) and park position

All units combine tried and tested operation with drive technologies for perfect scoring results. Guaranteed by the scoring saw blade diameter of 120/125 mm and the speed of 8600 rpm (10,300 rpm at 60 Hz).



Safety made visible – Scoring unit operation display

A red LED strip immediately signals the operation of the scoring unit and offers even more working safety. Option



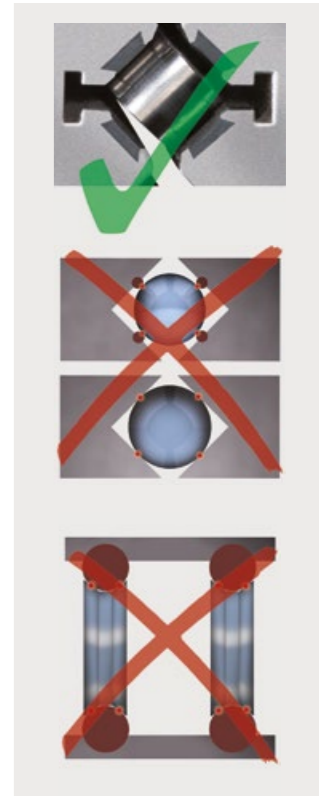
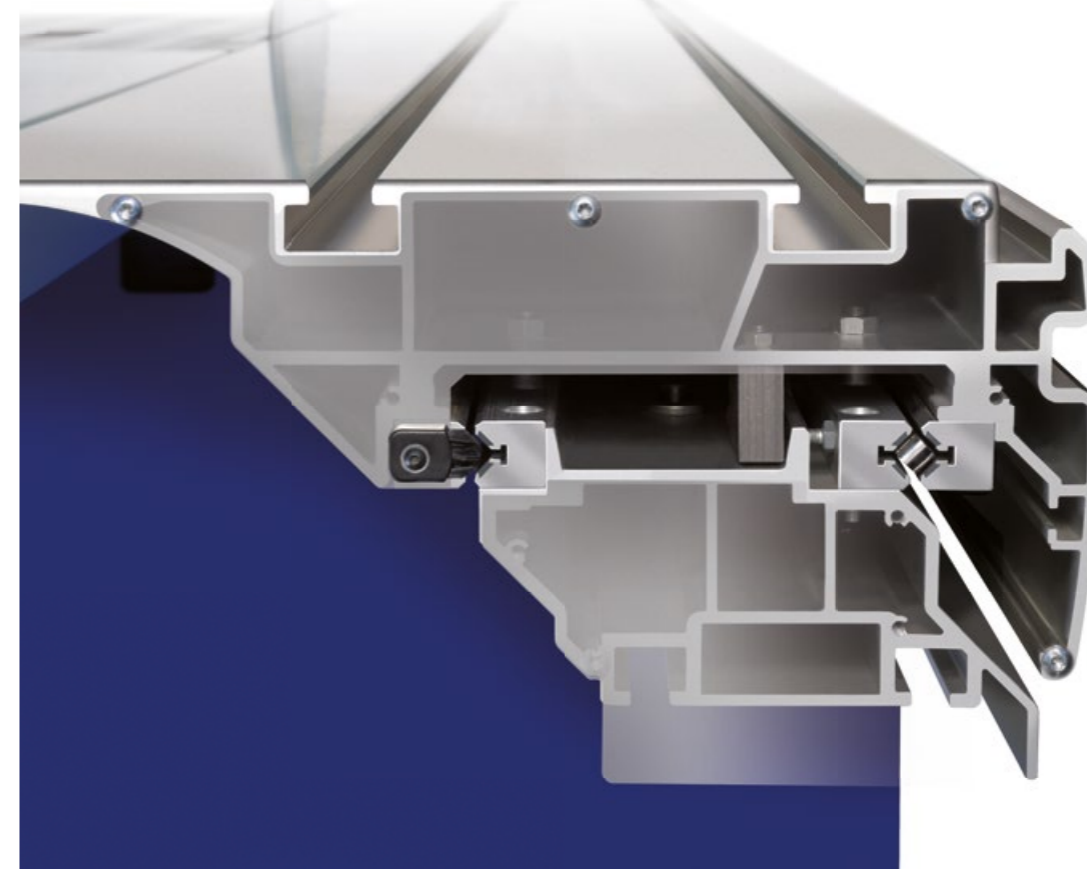
3-axis "Control" scoring unit

The scoring unit blade width and height adapt automatically to the stored tool information and also to the respective teeth width of the main saw blade. Any changes to these standard scoring settings can be saved and retrieved when using the same tool in the future.

Scoring unit park position

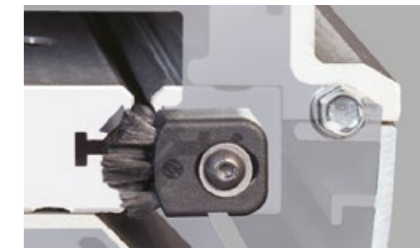
The scoring blade no longer needs to be removed when using a larger saw blade. The new Format4 "parks" the scoring unit at the touch of a button, which frees up space for large saw blade diameters and saves you valuable production time! The park position also protects the scoring unit from dirt and resin build-up.

FORMAT 4®



**"A masterpiece of engineering",
guarantees precision and smooth operation!**

Large dimensioned and designed with highest use in mind, the aluminium format sliding table "hovers" on the "X-Roll", a highly developed, state-of-the-art guiding technology for Format4 sliding tables. The X shape ("X-Roll") design of the rollers distributes the load optimally on all sides. The linear surface of the steel rollers running on the hardened and ground guiding surface guarantees unbeatable precision and smoothness. "X-Roll" will guarantee you the quality and precision that you expect from your new panel saw. And another reason to choose Format4: 10 year factory guarantee to underline the reliability of "X-Roll".



This is why:

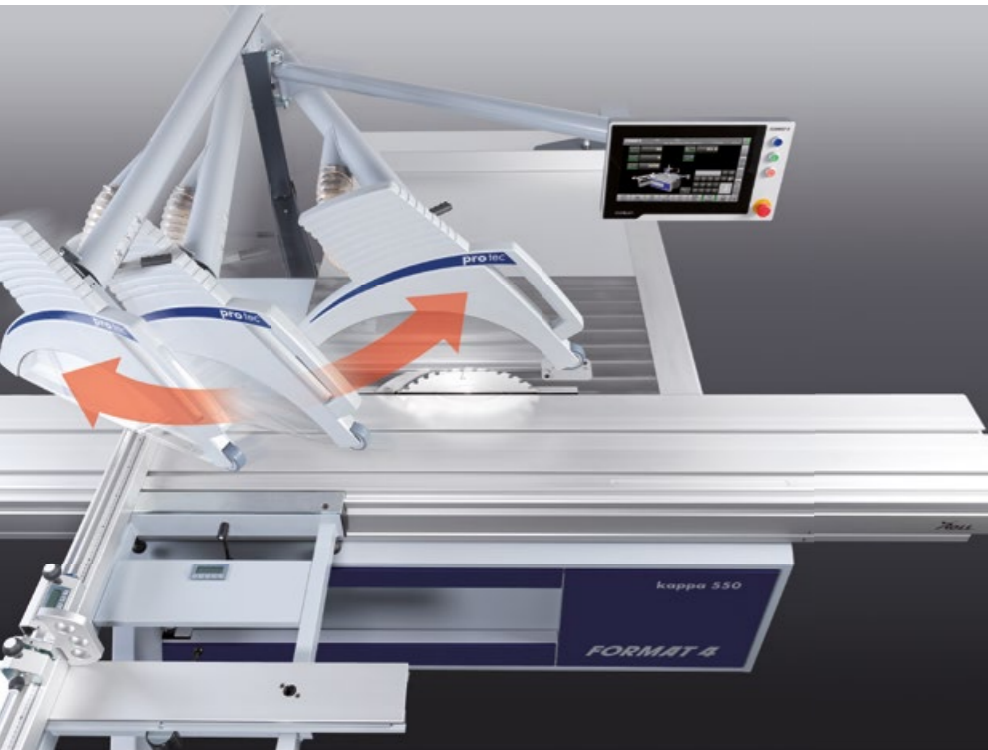
- » Extremely smooth, long life guiding system! The roller bearings have no single point of contact!
- » The dust resistant construction.
- » Hardened and ground guide tracks
- » 10 Year guarantee: on "X-Roll", the Format4 sliding table guiding system!



On and off switch on the sliding table



Fix in every position – Multiple position locking of the sliding table



The overhead saw guard

The Format4 overhead saw guard is elegantly integrated into the machine design. The operation is simple and comfortable. With a turn of a knob, the overhead saw guard can be unlocked and swung completely out of the machine table area. The extraction hood adjusts itself automatically to the workpiece height and offers optimum working safety and extraction performance.

The suspension of the overhead saw guard is offset more than 600 mm to the back of the saw shaft. This means that extra-long workpieces such as kitchen countertops can be cut to length without any problems.

On the right track – Laser cutting line marker

The maintenance free linear laser is mounted to the overhead saw guard and can be adjusted to any position. The easily visible cutting marker makes it easier to trim or cut along cracked wood.

Remote lock release

In one movement, the overhead saw guard can be unlocked and swung completely out of the machine table area. If required, the overhead saw guard can be unlocked directly using a lever on the cover.

Overhead saw guard with below table extraction

The newly developed overhead saw guard and under table extraction system deliver perfect extraction results. The overhead saw guard with its distinctive design is easily adjustable in height over linear guides. The dust and shavings are sucked from the saw guard into the extraction pipe via a short hose. The below table extraction system encloses the entire saw unit. In terms of extraction technology, the chip duct is perfectly shaped, and an optimised chip flow from the scoring unit also ensures absolutely perfect extraction results.



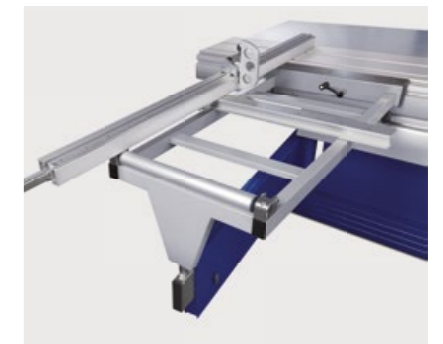
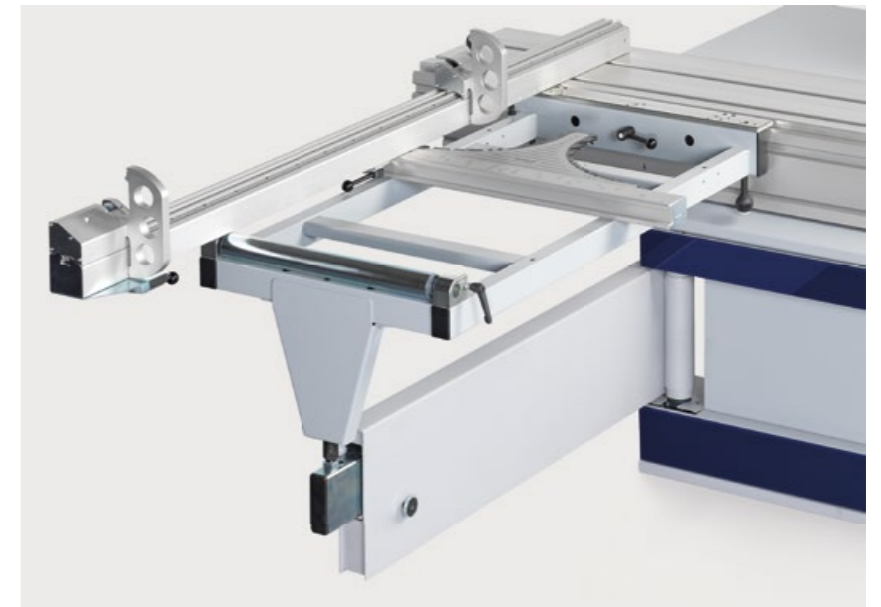
Precision miter guide index system outrigger table

No time wasted trying to find the correct angle and one hundred percent precision in adjustment and positioning, without any reading errors, are just some of the advantages of the precision mitre index system. Highly precise index points enable the exact production of polygons such as e.g. 5.625° (32 sides), 11.25° (16 sides), 22.5° (8 sides). Additional index points at 15°, 20°, 25°, 30°, 35°, 40° and 45° can be used when the crosscut fence is both at the front and at the back of the outrigger. Every index position is provided with length compensation. The highly precise Felder mitre index system is adjusted at the factory and every index position can also be individually fine adjusted. The index system integrates itself well into the machine design and will increase your productivity for an amazingly low investment amount.



Digital and accurate to a tenth of a millimetre

On request, we supply your Format4 with the digital outrigger crosscut fence. The stylish integrated electronic digital display shows the adjustment accurate to a tenth of a millimetre. Additional functions, such as the adjustment of chain dimensions, simplify your daily work.



Crosscut fence (outrigger)

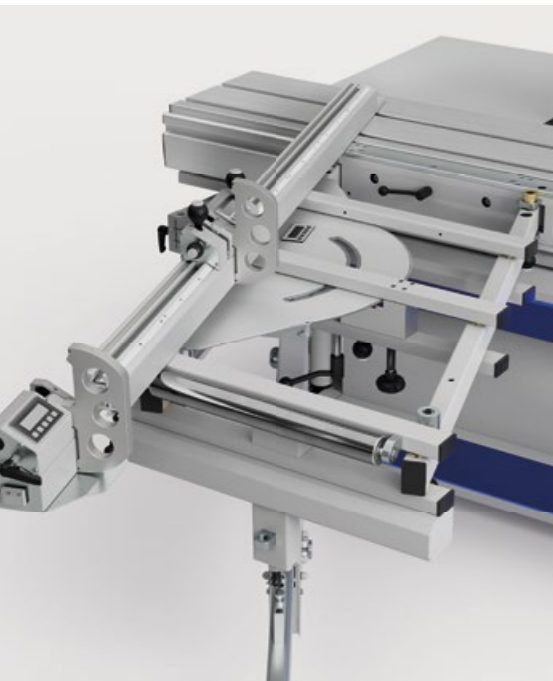
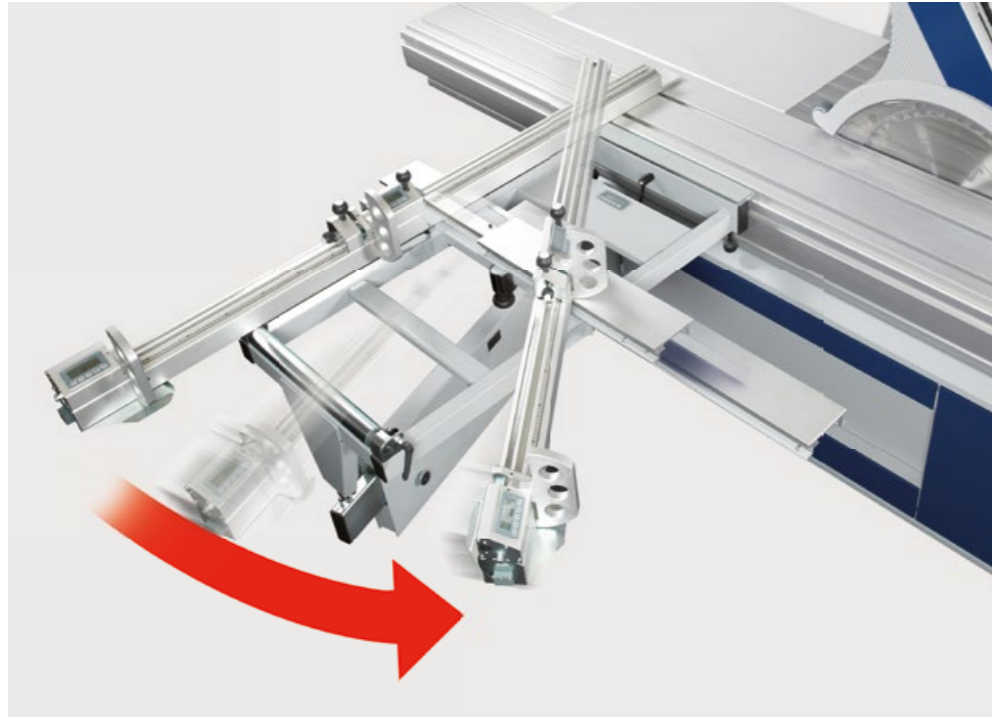
The outrigger crosscut fence allows you to perform crosscuts up to 3200 mm. Even the standard version already provides you with top-class technology and comfort. The scale that is tilted towards the operator and the lens on the crosscut fence guarantee precise settings.

Even more flexible – Ergonomic locking lever at the crosscut fence

The crosscut fence on the outrigger table can be easily and quickly tilted variably from zero to 45°. The large dimensioned, ergonomic clamping lever can be used at every angle.

“X-Roll” outrigger table

Outrigger table supported by 8 ball bearings, integrated guide rollers and bearings for maximum smooth running at the highest loads. High precision and maintenance free “X-Roll” rollers guide the micro adjustable support rail which provides a large-surface support even when the outrigger table is swivelled. It is possible to set the angle to an accuracy of 1/100° using the digital display. The continuously variable tilt range between -45° and +45° ensures precise mitre cuts.



Parallelgram outrigger table

Continuously variable adjustment range -46° to +46° It is possible to set the angle to an accuracy of 1/100° using the digital display. Angle-length compensation via No-nius, for automatic fence via control.



“digi-compensation plus” – digital angle/length compensation

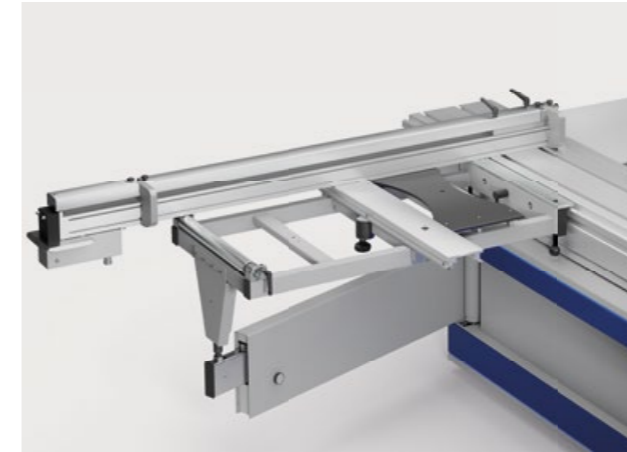
The digital angle and length compensation module “digi-compensation plus” for “X-Roll” or parallelogram outriggers compensate any changes in the length difference of the crosscut fence settings, as the angle is changed. The direct communication with the controls, also enables it to compensate the fence position of the crosscut stop to the width of the tooth and the tilt of the saw blade. This ensures that you always get an exact measurement without any recalibration when using different saw blades.



Full surface support on the outrigger table

The full surface and magnetic mounted supports on the outrigger table offer an increased support surface and guarantee a secure hold and stable support for the processing of smaller workpieces.

FORMAT 4®



Electronic crosscut fence

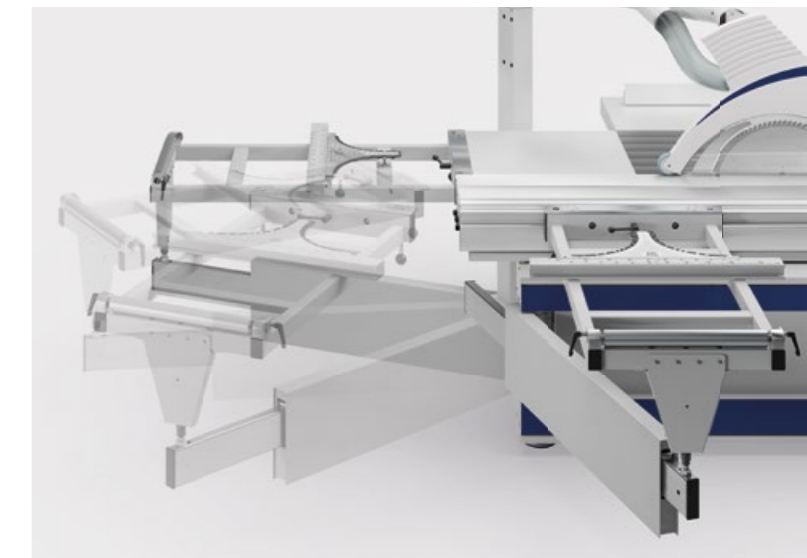
x-motion and e-motion models can be equipped with the electronic crosscut fence. The controlled crosscut fence can be used on both sides of the outrigger and is equipped with two fence stops. The maximum adjustable length measures 3400 mm. The extendable component can be removed to save space. The length compensation takes place automatically depending on the angle set.

- » Electronic crosscut fence with 2 crosscut stops and extendable to a maximum of 3400 mm
- » Automatic angle-length compensation



Transport and mounting unit for outrigger table

At last: Quick, comfortable and effortless, removal and mounting of your outrigger table using the transport and mounting unit. And another positive aspect: your outrigger can be conveniently stored away!



Highlight – Parking the Outrigger

The outrigger table can be swung out of the way with ease! No more complicated mounting and removing of the outrigger table. The swing away device ensures first class operating comfort while saving on valuable workshop space. Back-friendly ergonomic work is also guaranteed.

PCS® PREVENTIVE CONTACT SYSTEM

PCS® revolutionises safety solutions for sliding table panel saws. The worldwide only system that uses the saw blade as the sensor to recognise human tissue within the danger zone in just a few milliseconds. In case of danger, the saw blade automatically drops under the table at extremely high speed without causing any damage.

Surveillance of danger zone with approach detection

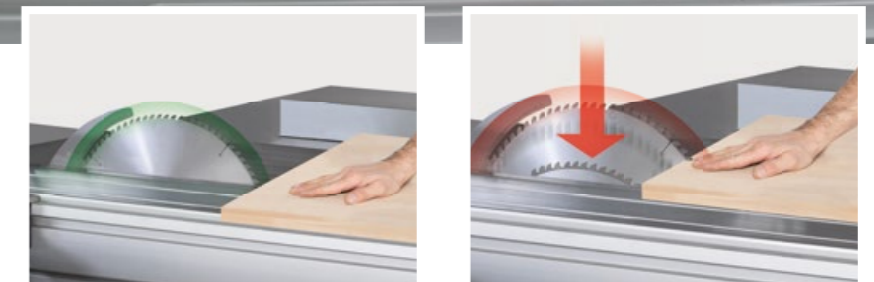
Upon detection of an unexpected, fast approach within the saw blade area, PCS® triggers the safety mechanism, lowering the blade. The safety environment surrounds the saw blade and protects against access from all directions.

Immediately ready for use and resistant to dust and dirt.

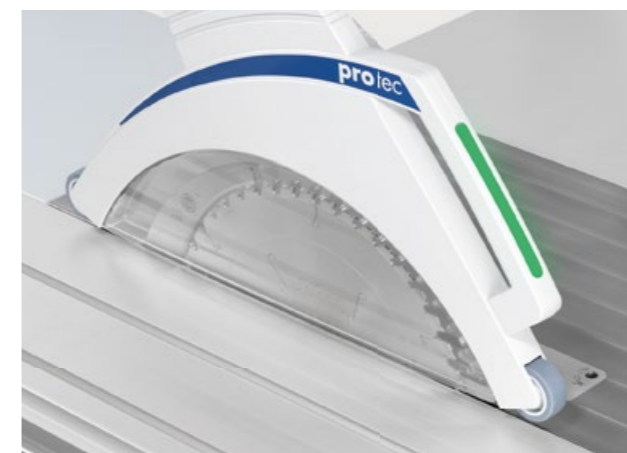
After triggering, the sliding table panel saw is immediately ready for use again. There are no consumable costs or costs for any external energy sources, PCS® does not require any additional maintenance and cleaning. PCS® does not use external sensors or video systems and is therefore unaffected by dust and dirt.



FORMAT 4®



Discover all kappa 550 models, remarkable detailed solutions and the currently world's fastest contact-free triggering safety device – PCS® in our new video.



PCS® signal lamp integrated in the overhead saw guard

A signal light is integrated on the handle of the overhead saw guard which indicates the operating status of the PCS® to the operator.



Standard rip fence on round bar guide

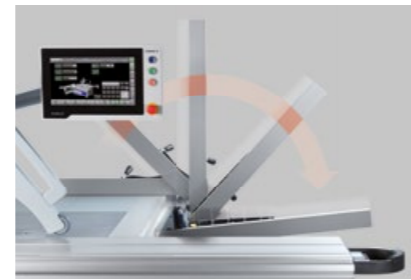
- » Table scale as standard
- » Fine adjustment as standard
- » Option electronic digital display for standard rip fence
- » Option positioning control, read-out of cutting width on electronic digital display

The rip fence is guided smoothly, almost hovering, over the round bar guide on the sliding table saw. The single-hand quick release and the fine adjustment guarantee a fast and precise adjustment of the rip fence to the desired dimension! The aluminium

fence can be adjusted for better workpiece infeed or brought into a face down position when machining narrow workpieces with a tilted saw blade.

Electronic digital display can be read from every position.

The rip fence can be equipped with an electronic digital display. The perfect integration of the whole electric unit makes it possible for you to rotate the display by 90°, and as such the settings can be read from the operator side in every rip fence position. Additional functions such as the use of incremental cuts



Positioning control of the rip fence

The rip fence is positioned by a motor and runs via a dust-free integrated ball spindle in the saw table. The 1/10 mm precision, the high positioning speed, as well as the simultaneous positioning of the crosscut fence, saw blade height and saw blade angle ensure precision and save valuable working time.

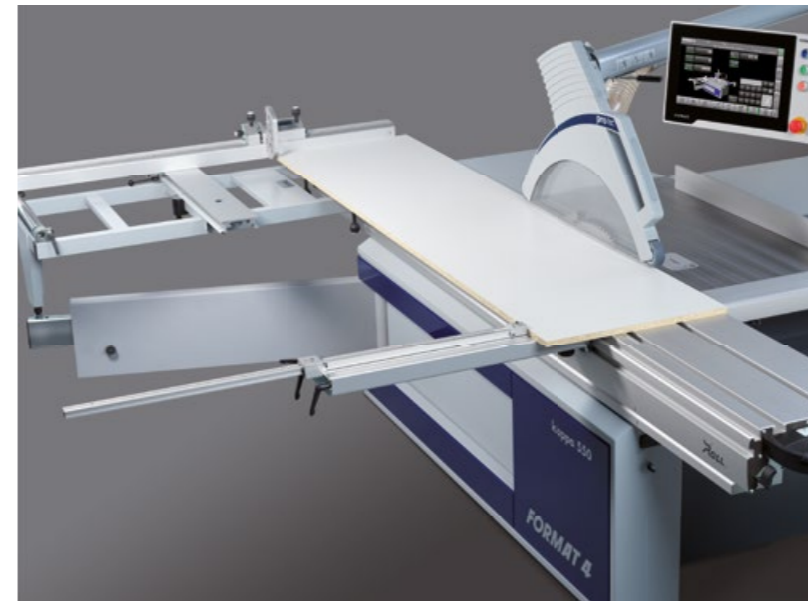
- » Automatic measurement correction when the rip fence is laid flat
- » Rip fence park position
- » A collision between rip fence with saw blade is avoided by coordinating the tool database with the positioning control system
- » The rip fence can be swung away at any point along the full rip capacity

also help to make day to day work easier.

More Highlights:

- » Easy to read values, with a bright, red LED display
- » No batteries required as it is connected to the power supply of the machine
- » Automatic recognition, whether the fence is in the vertical position or laid flat
- » Compensation for the tooth width of the saw blade

FORMAT 4®



Rip fence for "X-Roll" sliding tables

The ideal accessory for rip cuts on the sliding table! You use the support surface of the sliding table and outrigger in combination with the rip fence and in doing so guarantee perfect support of the workpiece to be processed. The rip fence is attached to the sliding table, the integrated scale from 25–1000 mm can be read easily using the integrated magnifying glass.



The crosscut fence on the format sliding table

The crosscut fence is adjusted for mitre cuts between +45° and -45° using the mitre index scale integrated in the format sliding table. The T-slot and lateral holders on the format sliding table allow for quick assembly without tools. The scale facing the operator and the read-out lens on the fence stop ensure precise settings up to 1100/2050 mm.



Pneumatic workpiece holder

- » Easy clamping of workpieces with maximum flexibility. Can be used on all panel saws and spindle moulders that are equipped with a sliding table.
- » Easy set up due to magnetic fittings
- » Safety cylinder ensures maximum working security
- » Pressure bar function is possible with every sliding table length
- » Clamping height 95 mm
- » Clamping force approx. 300 kg



Silent-Power saw blades and many other items are available in our Felder Group eShop

Technical specifications

Electrics	kappa 550	kappa 550 x-motion	kappa 550 e-motion
001 3x 400 V motor voltage	S	S	S
002 3x 230 V motor voltage	W	W	W
004 50 Hz motor frequency	S	S	S
005 60 Hz motor frequency	W	W	W
006 Motor 7.35 kW (10 HP) S6/40%, 3 speeds 3000/4000/5000 rpm.	S	S	S
007 Motor 10 kW (13.5 HP) S6/40%, 3 speeds 3000/4000/5000 rpm.	O	O	O
008 Motor 15.0 kW (20,0 HP) S6/40%, 2 speeds 2800/4000 rpm. (!002)	O	O	O
10 STAR-delta-START	S	S	S
12 Switch contact for the control of an extractor	O	O	O
17 Motor 7.35 kW (10 HP) S6/40%, with continuously adjustable speeds 2000–6000 rpm I002	O	O	O
18 Motor 10 kW (13.5 HP) S6/40%, with continuously adjustable speeds 2000–6000 rpm (not available for 3x 230 V)	O	O	O

Panel saw drive	kappa 550	kappa 550 x-motion	kappa 550 e-motion
71 Tool compartment with LED machine lighting		O	O
72 Circular saw with table extension up to 1620 mm behind the saw axis, anodised aluminium	O	O	O
73 Spraying unit for processing of light metals and plastics (!1000)	O	O	O
74 Scoring unit "Classic", 1.1 kW, scoring blade-Ø 120/125 mm in combination with max. saw blade-Ø 400 mm (with the scoring saw blade removed max. saw blade-Ø 500 mm)	O	O	O
75 "Automatic" scoring unit with automatic rise and fall of the scoring blade, 1.1 kW, scoring blade-Ø 120/125 mm in combination with max. saw blade Ø 400 mm (500 mm max. saw blade Ø when scoring blade has been removed)	O	O	O
69 Scoring unit 2-axes controlled: height and lateral position		O	O
76 Scoring unit aggregate "Control" with 3 controlled axes (height, width, lateral offset) and park position, 1.1 kW, scoring saw blade-Ø 150 mm in combination with max. saw blade-Ø 400 mm, adjustment range 3.0–3.8 mm, max. saw blade-Ø in park position 550 mm		O	O
77 Flange set for scoring unit with shaft diameter 22 mm instead of 20 mm for the scoring units "Classic" and "Automatic"	W	W	W
78 "Easy-Lock" – Tool free quick change system for the main saw blade and riving knife adjustment, drive pins in the flange prevent it from twisting, can be retrofitted to all kappa 550 models	O	O	O
780 "Quick-Lock" – Quick change system for the main saw blade and riving knife adjustment, drive pins in the flange prevent it from twisting	O	O	O
79 Scoring unit status light (mandatory option when in combination with PCS and scoring unit)	O	O	O
820 Clamping unit for slotting cutters	O	O	O
- Saw table with table extension up to 1200 mm behind the saw axis, powder coated steel	S	S	S
- Position controlled height adjustment	S	S	S
- Position controlled angle adjustment 0°–46°	S	S	S
- Saw blade diameter 250–550 mm, max. cutting height 202 mm	S	S	S

Control	kappa 550	kappa 550 x-motion	kappa 550 e-motion
100 Software package e-motion plus			O
1000 Preventive Contact System – PCS® (!17 / !18)	O	O	O
20 kappa control with 3-line LED display for height, angle and rotating speed in the control panel on the machine base-frame	S		
21 x-motion control 10" colour screen with touch function on the control panel at eye level. USB interface and preparation for a network connection; The panel can be positioned optimally in the working area of the operator and be completely swung away if necessary		S	
22 e-motion control 15" colour screen with touch function on the control panel at eye level. USB interface and preparation for a network connection; The panel can be positioned optimally in the working area of the operator and be completely swung away if necessary			S
26 Plug connection for the removal of the overhead saw guard and overhead control panel		O	O

Safety devices	kappa 550	kappa 550 x-motion	kappa 550 e-motion
80 LASER cutting line marker on the overhead saw guard	O	O	O
81 Remote unlocking to allow the saw guard to be swung away	O	O	O
- Overhead guard, hood for 90° and hood for mitre cuts, which is height adjustable and can be swung away from the working area	S	S	S

Cutting width and parallel fence	kappa 550	kappa 550 x-motion	kappa 550 e-motion
83 Cutting width 1250 mm, anodised aluminium	O	O	
84 Cutting width 1600 mm, anodised aluminium	O	O	
85 Digital display for parallel fence with automatic cutting width compensation when the saw blade is tilted	O		
86 Position-controlled rip fence with digital display on fence, cutting width 1250 mm	O		
87 Position-controlled rip fence with digital display on fence, cutting width 1600 mm	O	O	
88 Position controlled rip fence with digital display on the control panel at eye level, 1250 mm rip capacity		O	S
89 Position-controlled rip fence with digital display at eye level on the control panel, cutting width 1600 mm		O	O
891 Position-controlled rip fence with digital display on fence, cutting width 1000 mm	O		
891 Position controlled rip fence with digital display on the control panel at eye level, cutting width 1000 mm		O	W
- Parallel fence with fine adjustment, fence length 1200 mm, can be swung away	S	S	
- Cutting width 1000 mm, powder coated steel	S	S	

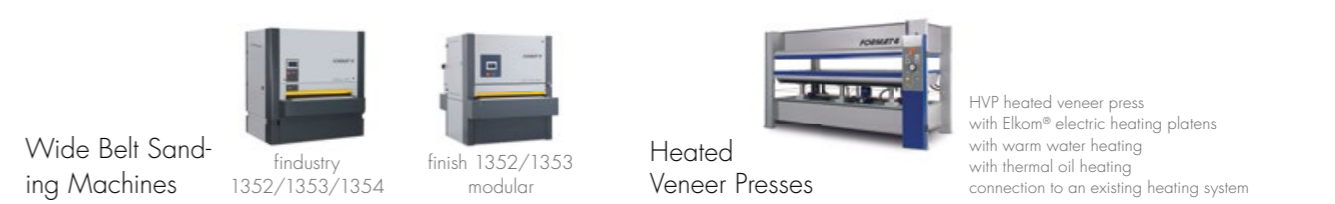
Anodised sliding table, „X-Roll“ guiding system	kappa 550	kappa 550 x-motion	kappa 550 e-motion
130 "X-Roll" format sliding table, cutting length 2200 mm, edging shoe	W	W	W
131 "X-Roll" Format sliding table, cutting length 2800 mm, edging shoe	S	S	S
132 "X-Roll" Format sliding table, cutting length 3200 mm, edging shoe	○	○	○
133 "X-Roll" Format sliding table, cutting length 3700 mm, edging shoe	○	○	○
134 Multiple locking mechanism on the sliding table (!130)	○	○	○
139 On and off switch on the sliding table	○	○	○
139A On and off switch on the sliding table	○	○	○

Outrigger tables and crosscut fences	kappa 550	kappa 550 x-motion	kappa 550 e-motion
160 1250 x 650 mm outrigger table	S	S	S
161 The 1250 x 650 mm "X-Roll" outrigger table with moveable support rail and digital angle display	○	○	○
162 1250 x 650 mm outrigger with parallelogram adjustment and digital angle display (!133)	○	○	○
163 Mitre index system for outrigger table (#160)	○	○	○
164 Extendable frame for outrigger with workpiece roller up to 500 mm (!162, !169)	○	○	○
165 Swing away device for the outrigger table (#072,!169)	○	○	○
166 3200 mm crosscut fence, tiltable 90°-45°, 2 crosscut stops	S	S	S
167 1900 mm crosscut fence with fine adjustment, tiltable 90°-45°, 1 digital crosscut stop up to 1900 mm, telescopic fence with analogue crosscut stop up to 3200 mm.	○	○	○
168 3200 mm crosscut fence with fine adjustment, tiltable 90°-45°, 2 digital crosscut stops	○	○	○
169 Crosscut fence with controlled fence stop, range of movement 120-1760 mm, removable telescopic extension up to 3400 mm cutting width with second fence stop (#161/162) (!160)	○	○	○
175 Crosscut fence with two digital stops, incl. calculation of the length compensation when the fence is tilted (#161/162) Digi compensation plus	○	○	○

Packaging	kappa 550	kappa 550 x-motion	kappa 550 e-motion
221 Prepared for container shipment kappa 550, palette 2100 x 1500 mm	○	○	○
223 IPPC packaging	○	○	○

Important accessories	kappa 550	kappa 550 x-motion	kappa 550 e-motion
220 604-110 – Parts list holder with A4 clipboard		○	○

Product range 2023



FORMAT 4®

FORMAT4. Uncompromising expertise for the highest of requirements.

The Felder Group premium brand has met the highest standards of professional users since 2001.

The customised high-performance solutions are uncompromisingly innovative, offer maximum operating comfort and complete productivity.

FELDER GROUP

KR-Felder-Straße 1
A-6060 HALL in Tirol

🇬🇧 Tel. 01908 635000

www.format-4.uk

[Contact](#)

🇮🇪 Tel. 0906625756

www.format-4.ie

[Contact](#)

🇮🇳 Tel. 1 800 274 3040

www.format-4.in

[Contact](#)

🌐 Tel. +43 5223 58500

www.format-4.int

[Contact](#)

*Follow us on Facebook,
Instagram, LinkedIn and Youtube.*