

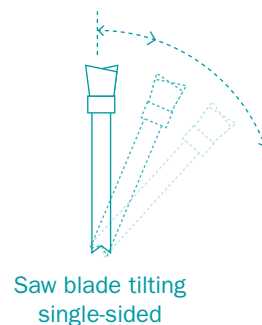
Make a flying start.

T60A

MARTIN



T60A



You like it good and simple?
Then you'll love this machine.

The T60A is the perfect entry point into the world of MARTIN saws. It makes your work, as you would expect from a MARTIN – precise and reliable. You will be impressed by its quiet running saw blade, the precisely guided sliding table or the rip fence which is superb to operate. At the same time the compact construction also ensures high effectiveness even in smaller rooms.

Don't compromise, decide on quality from MARTIN right from the start.



T60A with accessories (more information in Options book)

T60A10 | Cutting width 1,350 mm

T60A12 | Digital indication of the cutting width

T60A18 | Cutting height package

T60A20 | Electrically adjustable scoring-saw unit



Fine settings with magnifier on standard cross-cut fence

More powerful drive

Precisely working fine adjustment of the rip fence

Operation brought to the point

Sliding table with replaceable table edge

High quality construction

The major mechanical components like the sliding table, cross-cut fence and rip fence are, like all MARTIN formatting saws, very high quality and designed to last.

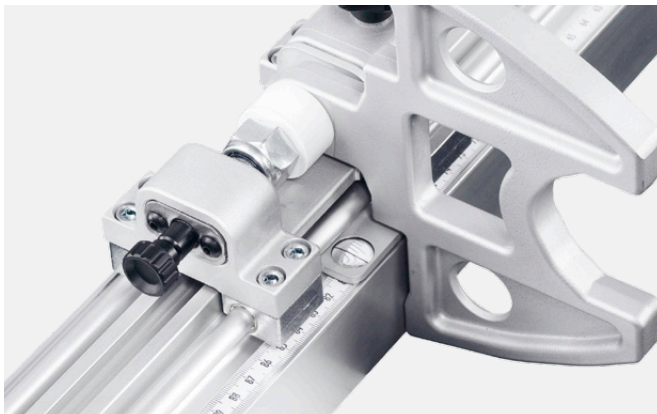
With many details to the perfect saw.



Hand wheel adjustment | T60A13

Positioning of the rip fence via hand wheel.

With the optional hand wheel adjustment you can conveniently control the fence jaw of the T60A from the operating position – completely without electronic control. With the easy-to-read digital fence-mounted display you can make precise adjustments in increments down to a tenth of a millimeter from the operating position.



Fine adjustment and magnifier | Standard

Fine adjustment as indispensable quality feature.

Often, the cutting dimension needs to be changed only a little bit, which is practically impossible without a fine adjustment mechanism. All the more fortunate that on a T60A both stop elements of the cross-cut fence offer fine adjustment and a magnifier. The cross-cut fence also has impressively smooth running stop skids. Both stop elements run on high-quality linear slide bearings made from a wear-resistant high-performance polymer and can be used on the full length of the fence jaw.

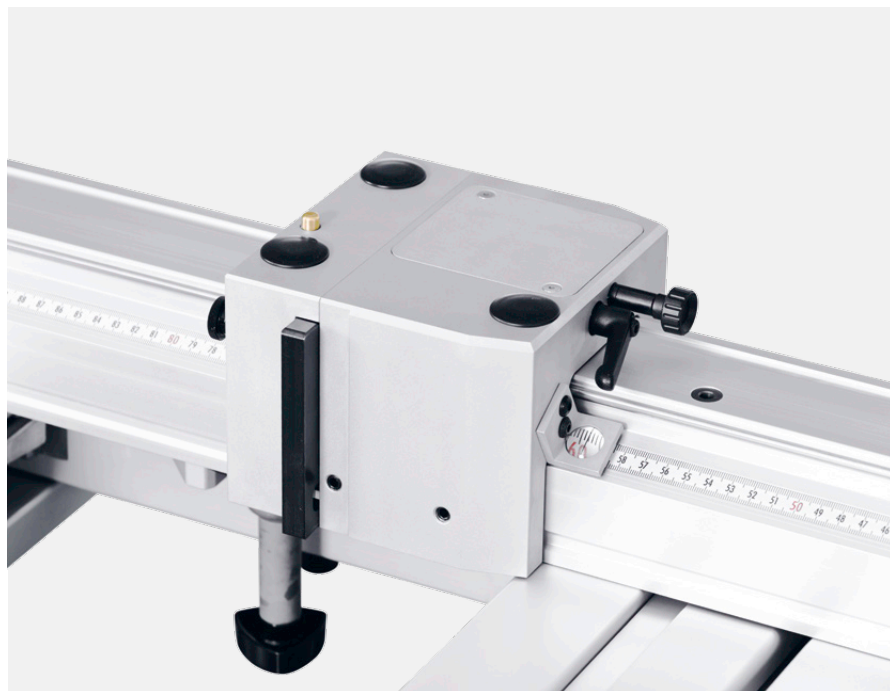


Electronic indication of the cutting width | T60A12

Electronic indication of the cutting width.

The digital display which for the rip fence moves with the fence or sits in the control system significantly facilitates the precise setting of the fence. Recurrent cuts are reproducible with a lot of accuracy thanks to the indication resolution of 0.1 mm and the standard fine adjustment. The positioning of the rip fence profile (vertical to horizontal) is performed manually and is adjusted via pushbutton on the readout. The measuring system operates contact-free and is resistant to normal wear and tear.

Set cutting lengths quickly and extremely accurately.



Proven 2-point cross-cut fence.

Optionally you have the possibility of fitting the T60A with the proven MARTIN 2-point cross-cut fence, so that the workpieces can be set up on two points. Only then can slightly convex cuts be cut, but precisely at the right angle. Thanks to the easy-to-read scale, built-in magnifier and standard fine adjustment function for the inner stop element, cutting lengths of 190 – 2,020 mm can be set quickly and extremely precisely. With the quick clamp you can quickly switch measurement to measurement with the ball bearing running stop element and can cut lengths up to 3,310 mm with the pull-out fence.

2-point cross-cut fence | T60A40

Digital cross-cut fence with continuous support.

Optionally you can also equip the T60A with the heavy folding cross-cut fence with a continuous support. In contrast to the standard edition this version is designed to be heavier. As in a 2-point support the internal stop element can be exactly adjusted with fine adjustment and scale magnifier. The quick clamping of the stop element support the rapid dimension change between 205 – 2,020 mm, while lengths of up to 3,310 mm can be set with the pull-out fence.



Digital cross-cut fence with continuous support| T60A43



The unique construction of the MARTIN sliding table leads to incomparable stability.

Play-free running over entire length.

The MARTIN steel forced guidance system has been used as the sliding table guide for our formatting saws since 1959. The advantage of this system is that it is backlash-free due to the principle and that the table runs really smoothly in the long term. The fact that the hardened running surfaces are kept oil-moist prevents dust and dirt from permanently adhering to the running tracks and the movement of the table ensures ongoing self-cleaning. A screwed table edge means that it's really easy to "undo" any damage caused by large moving saw blades. The table can be arrested every 20 so that you can place it into exactly the position that you need at any moment. Whether you're working with cutting gauges or applying material, the table is always right where it's needed.





Rip fence | Standard

High quality technology from the start.

The construction of the rip fence deliberately refrained from using a round rod guide. Instead, the fence is guided in a high-quality, precise manner using four powerful grooved ball bearings. The ruler moves freely over the table without bracing. If large plates need to be segmented, the fence can be removed from the carriage in a fast movement.

Support for mounting.

The optional second support supports you in the truest sense of the word. Simply mounted on the sliding table it simplifies the cutting of large boards very significantly. The workpieces are safely supported through the 600 mm long support and so can be perfectly cut.



MARTIN T60A

Operation in a nutshell.

The T60A completes the MARTIN range of saws with a more simple machine. Operation of the machine is reduced to the point and still offers everything that a premium compact machine from MARTIN requires. Cutting heights and angles are adjusted by means of an electric motor, the cutting angle is displayed digitally.

Purposeful machine construction and control technology that is reduced to what's absolutely necessary make the T60A an excellent partner for anyone looking for a cost-effective way to enter the premium saw class. Each T60A promises to deliver the ideal balance between performance and price.

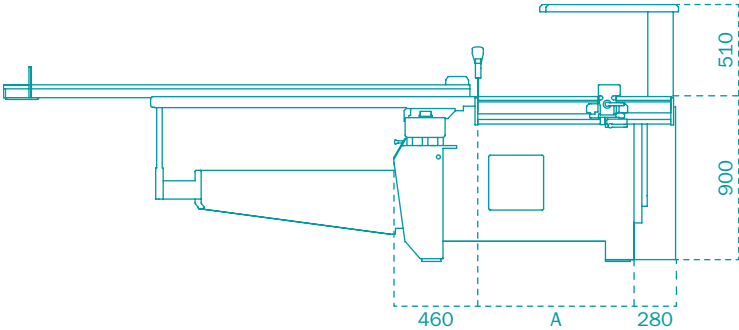
For all who want it a bit higher.

The cutting height package for the T60A increases the max. cutting height of the machine from 87 to 130 mm. Now instead of 4.0 the motor delivers a powerful 5.5 kW performance and the saw blade can be driven at 3 speeds. A sensible accessory for all those, who also cut solid wood and so need larger cutting heights.

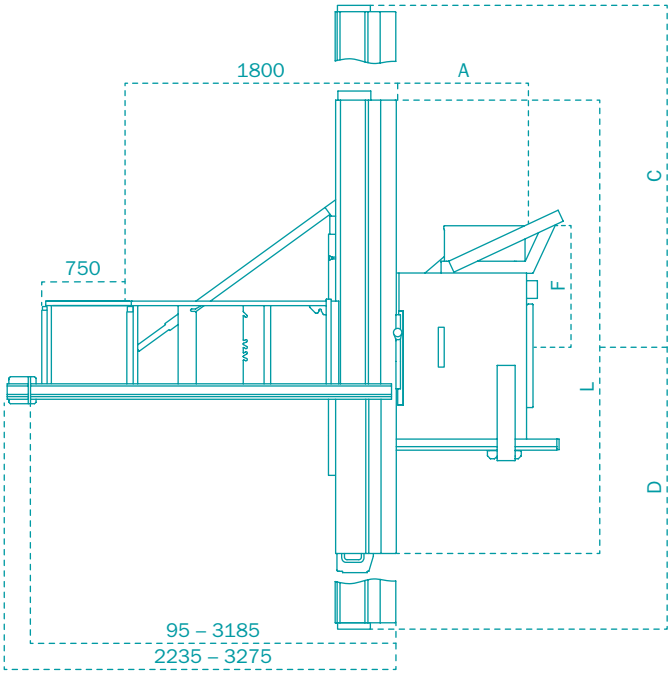
Cutting height package | T60A18



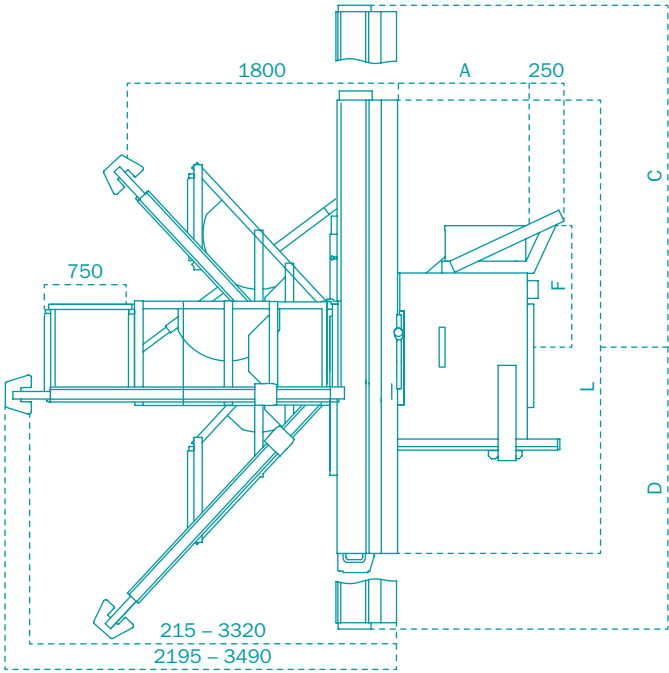
T60A



T60A | Side view



T60A | Plan view



T60A | Plan view

A Cutting width	F Clearance	L Sliding-table length	Sliding cut	C D Movement range
850	780	1,900	1,900 x 1,900	2,500 2,400
1,350	780	3,000	3,000 x 3,000	3,600 3,500
		3,300	3,300 x 3,300	3,900 3,800
		3,700	3,275 x 3,700	4,300 4,200

Technical data	T60A	T60C	T65
Motor power optional	4.0 kW 5.5 kW 7.5 kW	5.5 kW 7.5 kW 11.0 kW	5.5 kW 7.5 kW 11.0 kW
Cutting height	87.5 mm optionally 130 mm	130 mm	550 mm
Saw blade tilting range	46°	46°	46°
Saw blade diameter	315 mm optionally 400 mm	400 mm	550 mm
Speed optional	5,000 rpm 4,000 4,800 6,000 rpm	4,000 4,800 6,000 rpm –	2,800 4,000 5,000 rpm –
Main saw blade change	ProLock	ProLock	ProLock
Blade thickness	max. 6 mm special tools up to 15.3 mm (0°)	max. 6 mm special tools up to 15.3 mm (0°)	max. 6 mm special tools up to 20.0 mm (0°)
Cutting width (A) optional	850 mm 1,350 mm	1,350 mm 850 mm	850 mm 1,100 1,350 1,600 mm
Sliding table length optional	3.0 m 1.9 3.3 3.7 m	3.0 m 1.9 3.3 3.7 m	3.0 m 1.9 3.3 3.7 4.3 5.1 m
Control	–	3.5" screen control	5.7" touchscreen
Display resolution	0.1°	0.1 mm 0.1°	0.1 mm 0.1°
Control panel	in frame	at eye level	at eye level, inclined, 2x rotation
Cutting angle/height	Electrically via push button (rapid speed or creep speed), incl. digital display of the tilting angle	controlled	controlled
Cutting width	by hand, fine adjustment according to scale	via hand wheel incl. digital dimension indicator	manually, by scale with fine adjustment optionally by hand wheel including digital dimension indicator, controlled
Extraction connection	120 mm on frame 60 mm on riving-knife guard	120 mm on frame 100 mm on guard	120 mm on frame 100 mm on guard
Weight	approx. 1,300 – 1,450 kg	approx. 1,350 – 1,500 kg	approx. 1,600 – 2,100 kg

The machines generate very little dust as per BGI 739-1 Annex 1.

All dimensions in millimetres. Manufactured in Germany.

Dimensions and specifications subject to technical innovation and may be changed without notice.

Illustrations may differ from the original. The binding technical features and equipment are given in the applicable price list.

Visit us at:

Website



Facebook



YouTube



Brochure



Contact us at:
+49 (0) 8332 911 - 0
sales@martin.info

MARTIN